

A world of  
**digital**  
clarity

+ ELECTRONIC SOLUTIONS + MOUNTING SOLUTIONS

**Product Catalog**  
2016/2017

**ABTUS**<sup>®</sup>

[www.abtussingapore.com](http://www.abtussingapore.com)

## ABtUS SINGAPORE PTE LTD / ABtUS MALAYSIA SDN BHD

ABtUS Singapore designs, develops and manufactures a full range of products like HDMI, DVI and VGA Distribution Amplifiers, Projector controller switchers, Multimedia Classroom controllers, CAT5 extenders, Projector Brackets, LCD & Plasma Mounts, Screen Controllers and many others under our brand name ABtUS, as well as under OEM/ODM, as required by our customers.

Today, the ABtUS brand signifies Quality and Reliability in the AV industry. Our products are exported and sold in more than 50 countries, in all major markets and key regions of North America, Europe, Middle East and Asia Pacific. Our competitive advantage is in our understanding of customers' needs, product innovation responsive service to our customers and a fair value pricing strategy.

### MISSION STATEMENT

We aim to provide our worldwide customers with high quality service and innovative solutions to exceed our customers' expectations

### CORE VALUES

**ABtUS is driven by values that define our company culture**

- + Performance of our teams and our solutions
- + Reliability and Quality of products and services
- + Innovation to be ahead of the market trends
- + Customer Satisfaction as the key for continued success
- + Ethical and Professional Business Behavior

+



+



+



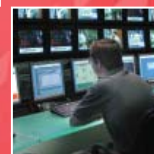
+



+



+



# ONE-STOP TOTAL SOLUTION PROVIDER IN THE AUDIO VISUAL INDUSTRY



## DEVELOPMENT AND MANUFACTURING OF AV MOUNTING PRODUCTS

Fuelled by the growing demand for better design and quality AV Mounts, ABtUS' manufacturing process is operated under strict QC and QA policies. We develop and manufacture our own line of Projectors, TV, Speakers, Plasma Display Panels and LCD mounts to cater for the stringent requirements and high standards of Government Ministries and Corporate companies. All our designs are conceptualized in-house, and together with ongoing investments into production capabilities, we ensure that the needs of our clients, including ODM and OEM customers, are fully satisfied.

## DEVELOPMENT AND MANUFACTURING OF AV ELECTRONIC SOLUTIONS

The ABtUS range of Electronic products are developed in-house, under strict global patent guidelines. Apart from being used extensively in projects and applications worldwide, ABtUS Electronic products are also adopted in tender specifications of Government Ministries. With the AV end user in mind, ABtUS projector switchers and controllers can be readily installed in multimedia classrooms, meeting rooms and boardrooms. With a focus on positive end user experience, programming and training are kept to the minimal to allow presenters with little or no training to control the Audio Visual equipment during presentations.

Driven by our core value of Innovation, the ABtUS range of Electronic products has grown to include Basic Switchers, Matrix Switchers, Distribution Amplifiers, CAT5 Extenders, Projector Controllers, Interface Panels and Scalars, supporting VGA, DVI and HDMI standards.



**MULTIMEDIA CONTROLLER**

IC-308V6	Pre Programmed Projector Controller Switcher	10
AVS-312	Programmable Integrated Projector Controller Switcher	11
AVS-313	Programmable Integrated Projector Controller Switcher	12
AVS-315+ PLUS	Programmable Integrated Projector Controller Switcher	13
AVS-317	Programmable Integrated Projector Controller Switcher (Supports HDMI)	14
CAT-AVS-409T/A	Programmable Integrated Projector Controller Switcher with Single CAT-5 Output Interconnection Transmitter	15
CAT-AVS-409R/A	Programmable Integrated Projector Controller Switcher with Single CAT-5 Output Interconnection Receiver	15

**EDU MEDIA QUICK INSTALLATION KIT**

EDU MEDIA 210	Quick Installation Kit	16
EDU MEDIA 110A	Quick Installation Kit	17
EDU MEDIA 120	Quick Installation Kit	17
EDU MEDIA 320S	Quick Installation Kit	17

**MULTIMEDIA SWITCHER**

AVS-1200C	User Programmable Multimedia Controller	18
AVS-1200CV2	User Programmable Multimedia Controller	19
AVS-1200S	Multimedia Switcher	20
AVS-1200SV2	Multimedia Switcher	21

**MULTIMEDIA INTERFACE PANEL**

IFP-502A	Interface Panel, 2 RCA (Audio), 1 PC Audio with Built-in Amplifier and Cable Kit	22
----------	--	----

**PROJECTOR SCREEN CONTROL**

AVS-SSR8/1-1	Universal Projector and Motorized Screen Controller	23
AVS-SSR8/3 (UK Version)	Projector Screen Controller (*With IR Remote Controller)	24

## TOUCH SCREEN CONTROL SYSTEM

**TOUCH SCREEN CONTROL SYSTEM**

A934-212C-044	Touch Screen Control System	25
---------------	-----------------------------	----

**WIRELESS CONTROL SYSTEM**

A934-042C-073	In Room Control Panel RF Remote Controller	26
---------------	--	----

**INTEGRATED ROOM AUTOMATION SYSTEM**

A121-002R-100	In Room Control System Two Port Power Control Relay Module	27
A934-332I-120	SMART IR Transmitter (with learning function)	28
A934-485M-100	RS-232 - RS-485 Convertor	29
A934-001D-121	Single Port Power/Dimmer Control Module	30

**ROOM MEDIA QUICK INSTALLATION KIT**

ROOM MEDIA PRO	Quick Installation Kit	31
ROOM MEDIA 1200	Quick Installation Kit	32

## CAT-5 AND OPTIC FIBRE EXTENDERS

**VGA CAT-5 EXTENDER**

CAT-GA11T/A	1:1 VGA/Audio over CAT-5 Transmitter (up to 150m)	33
CAT-GA14MT/A	1:4 VGA/Audio over CAT-5 Transmitter with Local Monitor Output (up to 150m)	34
CAT-GA11T/A2	1:1 VGA/Audio over CAT-5 Transmitter (up to 200m)	35
CAT-GA14MT/A2	1:4 VGA/Audio over CAT-5 Transmitter with Local Monitor Output (up to 200m)	36
CAT-GA11R/A2	1:1 VGA/Audio over CAT-5 Receiver (up to 200m)	37
CAT-GA11MT/AP3	1:1 VGA/Stereo Audio over CAT-5 Transmitter with Local Monitor Output (up to 300m)	38
CAT-GA111R/AP3	1:1 VGA/Stereo Audio over CAT-5 Receiver with Loop Out and Skew Control (up to 300m)	39
CAT-GA11R/AP3	1:1 VGA/Stereo Audio over CAT-5 Receiver with Skew Control (up to 300m)	40

**COMPOSITE VIDEO CAT-5 EXTENDER**

CAT-CV11T/A	1:1 Composite Video/Stereo Audio over CAT-5 Transmitter (up to 605m)	41
CAT-CV111R/A	1:1 Composite Video/Stereo Audio over CAT-5 Receiver with Loop Out (up to 605m)	42
CAT-CV14T/A	1:4 Composite Video/Stereo Audio over CAT-5 Transmitter (up to 605m)	43

<b>RGB/STEREO AUDIO OVER CAT-5 EXTENDER</b>		
CAT-RGB212T/AP3	2:1x12 RGB/Stereo Audio over CAT-5 Transmitter (up to 300m)	44
CAT-RGB224T/AP3	2:1x24 RGB/Stereo Audio over CAT-5 Transmitter (up to 300m)	45
<b>HDMI OVER CAT-5 EXTENDER</b>		
CAT-HDX11R/A1	HDMI over Single CAT-5e Receiver with Keyboard, Mouse, IR and RS-232 (up to 100m)	46
CAT-HDX11T/AP2	1:1 HDMI over Single CAT-5 Transmitter (Tree Chain) for Digital Signage	47
CAT-HDX112R/AP2	1:2 HDMI over Single CAT-5 Transceiver (Tree Chain) for Digital Signage	48
MU-CATHD11T/2-06-ST	HDMI over CAT-5 Wall Plate Extender (Dual CAT-5 Outputs) Transmitter	49
MU-CATHD11R/2-06-ST	HDMI over CAT-5 Wall Plate Extender (Dual CAT-5 Outputs) Receiver	50
<b>HDBASET SCALER EXTENDER</b>		
HDBT-GAHD31T/AP1	HDBaseT Scaler Extender (HDMI / Display Port / VGA) Transmitter (up to 70m)	51
HDBT-GAHD31R/AP1	HDBaseT Scaler Extender (HDMI / Display Port / VGA) Receiver (up to 70m)	52
<b>HDMI OVER PLASTIC OPTIC FIBER (POF) EXTENDER</b>		
OPT-HDX11MT/A1	HDMI over Plastic Optic Fiber (POF) Transmitter (up to 650m)	53
OPT-HDX11R/A1	HDMI over Plastic Optic Fiber (POF) Receiver (up to 650m)	54

**E4 DISTRIBUTION AMPLIFIER & SWITCHER****55****COMPONENT VIDEO/STEREO AUDIO (DISTRIBUTION AMPLIFIER SWITCHER)**

AVA-CP28/AP	2:1x8 Component Video/Stereo Audio Distribution Amplifier Switcher with External Control	55
-------------	--	----

**VGA DISTRIBUTION AMPLIFIER & SWITCHER**

AVA-GA12N/A2	1:2 VGA Digital Amplifier with Audio (No External Power Required)	56
AVA-GA14G/A	1:4 VGA Digital Amplifier with Audio	57
AVS-GA28/AP	2: 1x8 VGA/Audio Switcher DA with RS-232 Control	58
AVS-GA82A/P	8: 1x2 VGA Digital Amplifier Switcher with Stereo Audio	59

**HDMI DISTRIBUTION AMPLIFIER & SWITCHER**

AVA-HDMI18	1:8 HDMI Distribution Amplifier	60
AVA-HDMI12/AP4	1:2 HDMI 1.4 Distribution Amplifier	61
AVA-HDMI14/AP4	1:4 HDMI 1.4 Distribution Amplifier	62
AVS-HDMI21/AP4	2:1 HDMI Switcher (*V1.4)	63
AVS-HDMI41	4:1 HDMI Switcher	64
AVS-HDMI81	8:1 HDMI Switcher	65

**DVI-D DISTRIBUTION AMPLIFIER**

AVA-DVI12/2A	1:2 DVI-D / Stereo Audio Distribution Amplifier	66
AVA-DV19	1:9 DVI-D Distribution Amplifier	67

**E5 MATRIX SWITCHER****68**

MAX-GA33A/P	3x3 VGA/Stereo Audio Matrix Switchers	68
MAX-GA42A/P	4x2 VGA/Stereo Audio Matrix Switchers	69
MAX-GA84A/P	8x4 VGA/Stereo Audio Matrix Switchers	70
MAX-GA88A/P	8x8 VGA/Stereo Audio Matrix Switchers	71
MAX-HDMI42/AP4	4x2 HDMI Matrix (*V1.4)	72
MAX-HDMI408A-G	4x4 HDMI Deep Color & Full HD 3D over Single CAT-5	73
MAX-HDMI816A-G	8x8 HDMI Deep Color & Full HD 3D over Single CAT-5	74
CAT-HDMI11RA-G	HDMI Over CAT-5 Receiver for MAX-HDMI408A-G and MAX-HDMI816A-G	74

**E6 PRESENTATION SCALER SWITCHER****75**

AVS-SCL402/A	4:1×2 Multimedia Presentation Scaler Switcher	75
AVS-SCL802/A	8:1×2 Multimedia Presentation Scaler Switcher	76
AVS-SCLHD402/AP3	4:1×2 Multimedia Presentation Scaler Switcher with DVI Out	77
AVS-SCLHD1002/AP1	10:1×2 High End Multimedia Presentation Scaler Switcher	78
AVS-SCLHD1002T/AP1	10:1×2 High End Multimedia Presentation Scaler Switcher (*with Build In CAT-5 Extender)	79
AVS-SCLHD1002/AP2	10:1×2 High End Multimedia Presentation Scaler Switcher (with DVI-I Outputs)	80

**E7 INTERFACE PANEL****81****MODULE METAL PLATE WITH CONTROL BUTTON**

MU-AV/A-06C-ST	1× 3 RCA	81
MU-DP/A-06C-ST	1× Display Port	81
MU-GA/A-06C-ST	1× VGA Audio	81
MU-HDMI/A1-06C-ST	1× HDMI (Pass Through)	82
MU-HDMI/A2-06C-ST	1× HDMI	82
MU-USBA-06C-ST	1× USB A	82
MU-USBB-06C-ST	1× USB B	83
MU-PWR-06C-ST	1× 3 Pin Plug	83
A121-600C/V6	Control Module	83

**MODULE METAL PLATE**

MU-AV/A-06-ST	1× 3 RCA	84
MU-DP/A-06-ST	1× Display Port	84
MU-GA/A-06-ST	1× VGA Audio	84
MU-HDMI/A1-06-ST	1× HDMI (Pass Through)	85
MU-HDMI/A2-06-ST	1× HDMI	85
MU-USBA-06-ST	1× USB A	85
MU-USBB-06-ST	1× USB B	86
MU-TP-06-ST	1× RJ45	86
MU-BNK-06-ST	1× Blank Plate W/O Controller	86
MF-600-01ST-UK-S	Metal Frame for IFP-600 Single Gang - 1 Module	87
MF-600-02ST-UK-S	Metal Frame for IFP-600 Single Gang - 2 Module	87
MF-600-04ST-UK-D	Metal Frame for IFP-600 Double Gang - 4 Module	87
BC-01G/044	Single Gang Back Casing (Surface)	88
BC-02G/044	Double Gang Back Casing (Surface)	88

**SINGLE GANG INTERFACE PANEL**

IFP-701A	3 RCA (Composite Video and Audio), 1 VGA, 1 PC Audio, 1 USB A Type w/o back box	89
IFP-701B	3 RCA (Composite Video and Audio), 1 VGA, 1 PC Audio, 1 USB B Type w/o back box	89
IFP-702A	3 RCA (Composite Video and Audio), 1 VGA, 1 PC Audio, w/o back box	89
IFP-702C	1 VGA, 1 PC Audio, w/o back box	89
IFP-703A	2 VGA with PC Audio, w/o back box	90
IFP-704/A	3 RCA (Component Video) and HDMI, w/o back box	90
IFP-704/B	HDMI, w/o back box	90

**METAL/ALUMINIUM FINISHING**

IFP-701A/MA	3 RCA (Composite Video and Audio), 1 VGA, 1 PC Audio, 1 USB A Type w/o back box	91
IFP-702A/MA	3 RCA (Composite Video and Audio), 1 VGA, 1 PC Audio, w/o back box	91
IFP-702C/MA	1 VGA, 1 PC Audio, w/o back box	91
IFP-703A/MA	2 VGA with PC Audio, w/o back box	92
IFP-703C/MA	1 XLR Mic, w/o back box	92
IFP-703C2/MA	2 XLR Mic, w/o back box	92
IFP-704/MA	3 RCA (Component Video) and HDMI, w/o back box	93
IFP-706D/MA	Display Port to VGA convertor module, w/o back box	93

**SOLDER TYPE**

IFP-702D	1 VGA, w/o back box	94
IFP-703C	1 XLR Mic, w/o back box	94
IFP-703C2	2 XLR Mic, w/o back box	94
IFP-901B (Black)	3 RCA (Composite Video and Audio), 1 VGA, 1 PC Audio, w/o back box	95
IFP-901S (Silver)	3 RCA (Composite Video and Audio), 1 VGA, 1 PC Audio, w/o back box	95
IFP-901G (Gold)	3 RCA (Composite Video and Audio), 1 VGA, 1 PC Audio, w/o back box	95
IFP-901BG (Beige)	3 RCA (Composite Video and Audio), 1 VGA, 1 PC Audio, w/o back box	96
IFP-902C	1 VGA, 1 PC Audio, w/o back box	96
IFP-902D	1 VGA, 1 C - Audio, w/o back box	96
IFP-903A	2 VGA, 2 PC Audio, w/o back box	97

<b>SOLDER TYPE</b>		
BC-101G/SM	Single Gang Back Casing (Surface)	97
BC-101G/FM	Single Gang Back Casing (Flush)	98
<b>BASIC MEDIA QUICK INSTALLATION KIT</b>		
BASIC MEDIA 100	Quick Installation Kit	98
BASIC MEDIA 110	Quick Installation Kit	99
BASIC MEDIA 120	Quick Installation Kit	99
BASIC MEDIA 130	Quick Installation Kit	99

E8

**AUDIO SYSTEMS****100****MICROPHONE**

BTM-S06R & BTM-S05T	Bluetooth Microphone Voice Enhancement System	100
BTM-S06R & BTM-S06T	Bluetooth Microphone Voice Enhancement System	100

**AUDIO EXTRACTOR**

AVC-HDA11/AP4	HDMI Audio Extractor	101
---------------	----------------------	-----

**MINI AMPLIFIER**

AMP-S025A	ECO Digital Mixer Amplifier (25 Watts per channel)	102
AMP-S040/AP1	Compact ECO Digital Mixer Amplifier (40 Watts per channel)	103

**POWER SPEAKERS**

SPS-866C	Active Media Speakers (20 Watts per channel)	104
SPS-A030A	2-Way Indoor Powered Speakers (30 Watts per channel)	104
SPS-S030A	Passive Speakers System (30 Watts per channel)	104
SPS-S030A/P1	ECO Digital Amplifier Speaker System (30 Watts per channel)	105
SPS-S035	Passive Speakers System (35 Watts per channel)	105
SPS-S035A1	Speaker System with ECO Digital Amplifier (35 Watts per channel)	106
SPS-S035A/P1	Speaker System with ECO Digital Amplifier (35 Watts per channel)	106

**POWER SEQUENCER**

PWR-DA06C	Energy Saving AC/DC Power Sequencer with RS-232/485 controls	107
PWR-DA09C/P	AC Power Sequencer 8 port + 1 Loop out (8 Relay) 10AMP	108
PWR-DA09C/PG	AC Power Sequencer 8 port + 1 Loop out (8 Relay) 16AMP	109

**LCD MONITOR WALL MOUNTS**

AV608-F	LCD Monitor Wall Mount (Fixed)	111
AV608-T	LCD Monitor Wall Mount (Tilt)	112
AV602-TC	LCD Monitor Table Mount (Double Arm)	113

**PLASMA/LCD MONITOR WALL MOUNTS**

AV410-P	Plasma/LCD Display Portrait Wall Mount	114
AV410-L	Plasma/LCD Display Portrait Wall Mount	115
AV415-W	Plasma/LCD Display Fixed Wall Mount	116
AV415-W2	Plasma/LCD Display Fixed Wall Mount	117
AV415W-XL	Plasma/LCD Display Fixed Wall Mount	118
AV483-L360	Plasma/LCD Display Tilt Wall Mount	119
AV483-L750	Plasma/LCD Display Tilt Wall Mount	120

**PLASMA/LCD DISPLAY CEILING MOUNTS**

AV417	Plasma/LCD Display Ceiling Mount (Double)	121
AV417-V1	Plasma/LCD Display Ceiling Mount (Double)	122
AV420W-V2	Plasma/LCD Display Ceiling Mount	123
AV420W2-V2	Plasma/LCD Display Ceiling Mount	124

**PLASMA/LCD DISPLAY CANTILEVER MOUNTS**

AV508-WP1	Plasma/LCD Display Cantilever Mount	125
AV508-WP5	Plasma/LCD Display Cantilever Mount	126
AV508-S	Plasma/LCD Display Single Arm Cantilever Mount	127
AV508-DV	Plasma/LCD Display Double Arm Cantilever Mount	128
AV510	LCD/LED Display Single Arm Cantilever Mount	129
AV511	LCD/LED Display Double Arm Cantilever Mount	130
AV540	LCD/LED Monitor Display Double Arm Wall Mount	131
AV541	LCD/LED Monitor Display Double Arm Wall Mount	132
AV544	LCD/LED Monitor Display Wall Mount	133
AV545-W	LCD/LED Monitor Display Wall Mount	134
AV545-W2	LCD/LED Monitor Display Wall Mount	135
AV565-WT	LCD/LED Monitor Display Wall Mount	136
AV565-WT2	LCD/LED Monitor Display Wall Mount	137

**PROJECTOR MOUNTS AND PROJECTOR CAGE**

AV815	Projector Ceiling Mount	138
AV815M	Projector Mounting Plate	139
AV113	Projector Ceiling Mount Heavy Duty	140
AV819	Projector Flush Ceiling Mount	141
AV891-610-V1	Short Throw Projector Wall Mount	142
AV891-1300	Short Throw Projector Wall Mount	143
AV891-1500-V1	Short Throw Projector Wall Mount	144
AV891WS-610-V1	Short Throw Projector Wall Mount	145
AV891WS-1500-V1	Short Throw Projector Wall Mount	146
AV820	Projector Cage	147
AV820-F200	Projector Cage	148

**PLASMA/LCD DISPLAY STAND**

AV383W6 & AV383W6-V1	Plasma/LCD Display Mobile Stand	149
AV383-D	Dual Display Mobile Stand	150
AV383/2P	Adjustable Mobile Stand	151

## CABLES AND ACCESSORIES

Extension Rod	152
Mounting Plate	153
Shelf	154
Projector Security Lock and Fastener	155
CAT-5/6 Cables	156
RCA Cables	157
VGA Cables	158
HDMI Cables	159
Cables with 2.54mm Connectors (For ABtUS AVS and IFP Series)	160
Cables for AVS Series Projector Controller Switcher	162

## PROJECTION SOLUTIONS

AV900-A/B	Projector Lift	164
AV900-C/D	Projector Lift	165
AV901	LCD Monitor Lift	166



# Electronics Display Total Switcher Solution



## + ELECTRONIC SOLUTIONS

Multimedia Controller & Switcher	10
Touch Screen	25
Integrated Room Automation System	27
CAT-5 Transmitter & Receiver	33
Component Video/Stereo Audio	57
VGA Distribution Amplifier & Switcher	58
HDMI Distribution Amplifier & Switcher	60
DVI-D Distribution Amplifier	66
Matrix Switcher	68
Presentation Scaler Switcher	75
Multimedia Single Gang Interface Panel	81
Audio	100
Power Sequencer	110

# IC-308V6

## PRE-PROGRAMMED PROJECTOR CONTROLLER SWITCHER

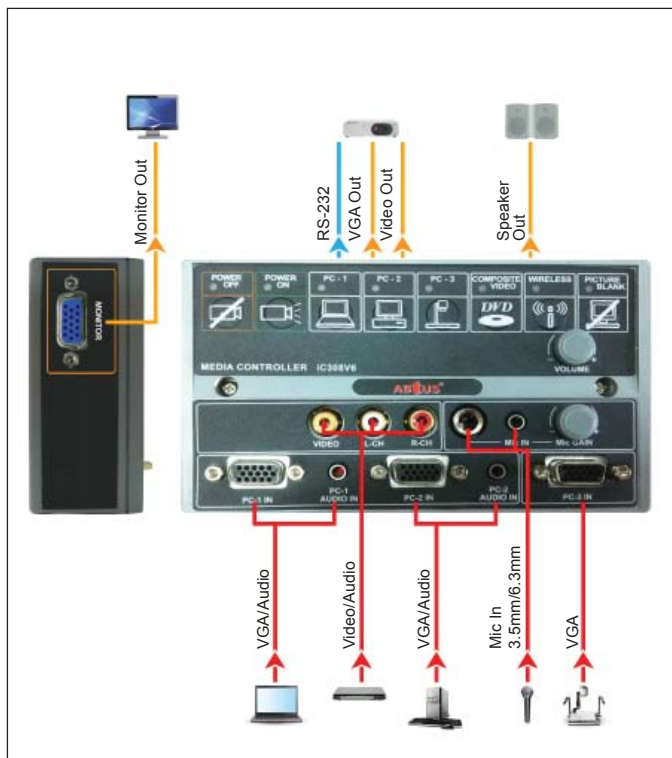


### DESCRIPTION

The ABTUS iC308V6 Media Control Panel is one of the most user and installer friendly Pre Programmable Controller that is specifically designed for an easy and central control of any AV projection system. It removes the need for over complicated and multiple remote control handsets.

### FEATURES

- Simple to use with one-to-one function controlled button
- Works well with any monitors and projectors
- Supports 3 VGA inputs with resolutions from VGA to SXGA
- Easy Installation with standard 2.54mm connector and cabling
- Fully self contained/integrated Projector Controller with AV switcher



### TYPICAL APPLICATIONS

Any professional presentation system requiring multiple AV inputs of all different type of Video standard and a standard projector controller.

- Schools (Media Classroom) • Churches • Corporate Applications (Meeting Room)

### TECHNICAL SPECIFICATION

**INPUT:**  
 3 × PC Input (\*D-Sub 15pin)  
 2 × PC-Audio (\*3.5mm)  
 1 × C-Video (\*RCA)  
 1 × Stereo Audio (\*RCA)  
 1 × Mic Input (\*3.5mm)  
 1 × Mic Input (\*6.3mm)  
 1 × Stereo Input (\*Proj)

**OUTPUT:**  
 1 × VGA to Projector (\*Standard 2.54mm Connector)  
 1 × VGA to Monitor (\*Standard 2.54mm Connector)  
 1 × C-Video (\*Standard 2.54mm connector)  
 1 × Main Stereo Audio (\*Standard 2.54mm Connector)  
 1 × Tx (\*Standard 2.54mm Connector)

**VGA BANDWIDTH:** 3-in 2-out VGA Distribution Amplifier (900MHz R+G+B)

**MAX RESOLUTION:** 1280 × 1024

**ALL CABLE LENGTH:** Up to 28 meter

**BAUD RATE:** 1200 to 115200

**PARITY BIT:** Non, Even or Odd

**DELAY TIME:** Projector "ON/OFF" delay time (\*in sec) 1 to 99

**CONTROL BUTTON:** Number of user defined "Control Button" :8  
 Available protocol for each "Control Button" :1

**LED / BUZZER:** Yes

**VIDEO SELECTION:** All Video/VGA Input Switching Digital

**AUDIO SELECTION:** Audio Input Switching Digital

**VOLUME:** Main Volume Control Analog

**MIC GAIN:** Microphone Input Gain Control Analog

**POWER ADAPTOR:** 12V-DC, 500mA

**HOUSING:** ABS

**GROSS DIMENSIONS:** 195 × 190 × 79 mm

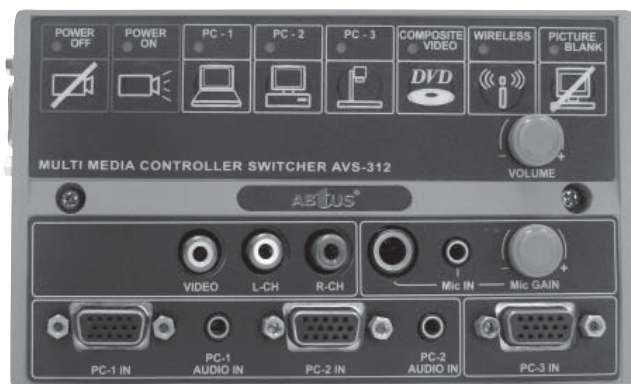
**GROSS WEIGHT:** 550 g

\* Specifications are subject to change without notice.

**ABTUS**

# AVS-312

## PROGRAMMABLE INTEGRATED PROJECTOR CONTROLLER SWITCHER



### DESCRIPTION

The ABTUS AVS-312 Media Control Panel is one of the most user and friendly Programmable Controller specifically designed for a easy and central control of any AV projection system. It removes the need for over-complicated and multiple remote control handsets.

### FEATURES

- "User Programmable" with Window base Application Software
- Simple to used with one to one function controlled button with LED indication
- Works well with any monitors, projectors and Interactive White Board
- Supports 3 VGA inputs with resolutions from VGA to SXGA
- Easy Installation with standard 2.54mm connector and cabling
- Fully self contained / Integrated Projector Controller with AV switcher and USB in
- With 2 USB Input Connections  
( 1 × USB Type A & 1 × USB Type B)

### TECHNICAL SPECIFICATION

**INPUT:** 3 × PC Input (\*D-Sub 15pin)  
2 × PC-Audio (\*3.5mm)  
1 × C-Video (\*RCA)  
1 × Stereo Audio (\*RCA)  
1 × USB (Type A by the Side)  
1 × USB (Type B by the Side)  
1 × Mic Input (\*3.5mm)  
1 × Mic Input (\*6.3mm)

**OUTPUT:** 1 × VGA to Projector (\*Standard 2.54mm Connector)  
1 × VGA to Monitor (\*15pin Female Connector)  
1 × C-Video (\*Standard 2.54mm connector)  
1 × Main Stereo Audio (\*Standard 2.54mm Connector)  
2 × USB (\*Standard 2.54mm Connector)  
1 × Tx (\*Standard 2.54mm Connector)

**VGA BANDWIDTH:** 3-in 2-out VGA Distribution Amplifier  
(900MHz R+G+B)

**MAX RESOLUTION:** 1280 x 1024  
**ALL CABLE LENGTH:** Up to 28 meter

**CONFIGURABLE COM PORT:** 1 × RS-232 (8 Data Bit and 1 Stop Bit)

**BAUD RATE:** 1200 to 115200

**PARITY BIT:** Non, Even or Odd

**DELAY TIME:** Projector "ON/OFF" delay time (\*in sec) 1 to 99

**CONTROL BUTTON:** Number of user defined "Control Button" : 8  
Available protocol for each "Control Button" : 1

**LED / BUZZER:** Yes

**VIDEO SELECTION:** All Video/VGA Input Switching Digital

**AUDIO SELECTION:** Audio Input Switching Digital

**VOLUME:** Main Volume Control Analog

**MIC GAIN:** Microphone Input Gain Control Analog

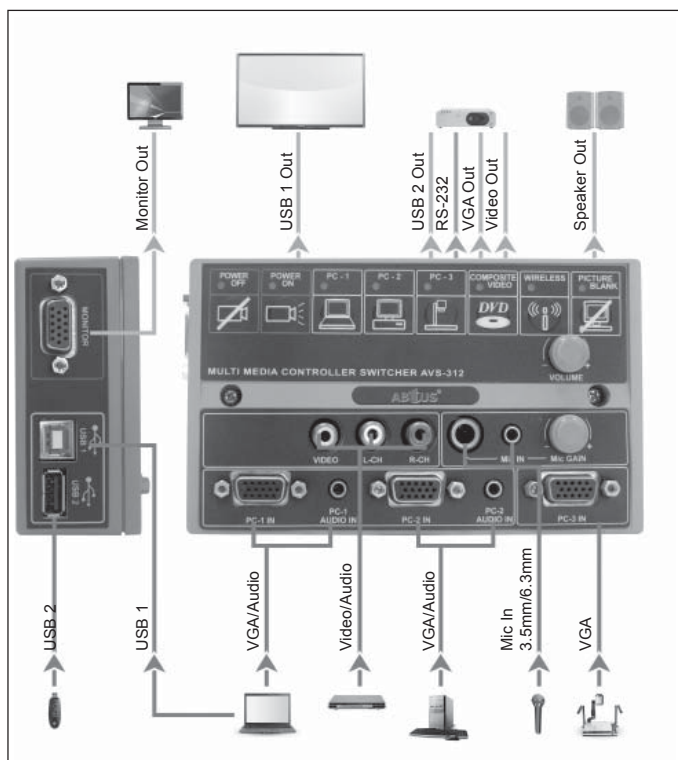
**POWER ADAPTOR:** 12V-DC, 500mA

**HOUSING:** ABS

**GROSS DIMENSIONS:** 195 × 190 × 79 mm (without cable kit)

**GROSS WEIGHT:** 580 g (without cable kit)

\* Specifications are subject to change without notice.



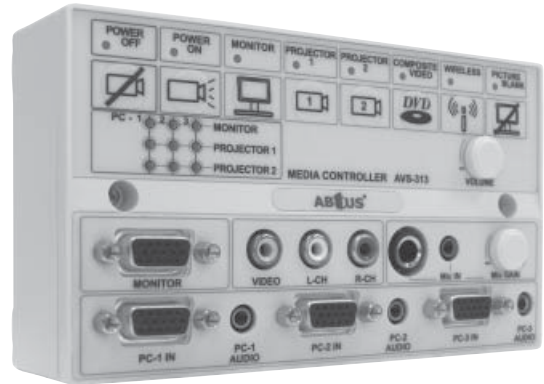
### TYPICAL APPLICATIONS

Any professional presentation system requiring multiple AV Inputs of all different type of Video standard and a standard projector controller.

- Schools (Media Classroom)
- Churches
- Corporate Applications (Meeting Room)

# AVS-313

## PROGRAMMABLE INTEGRATED PROJECTOR CONTROLLER SWITCHER

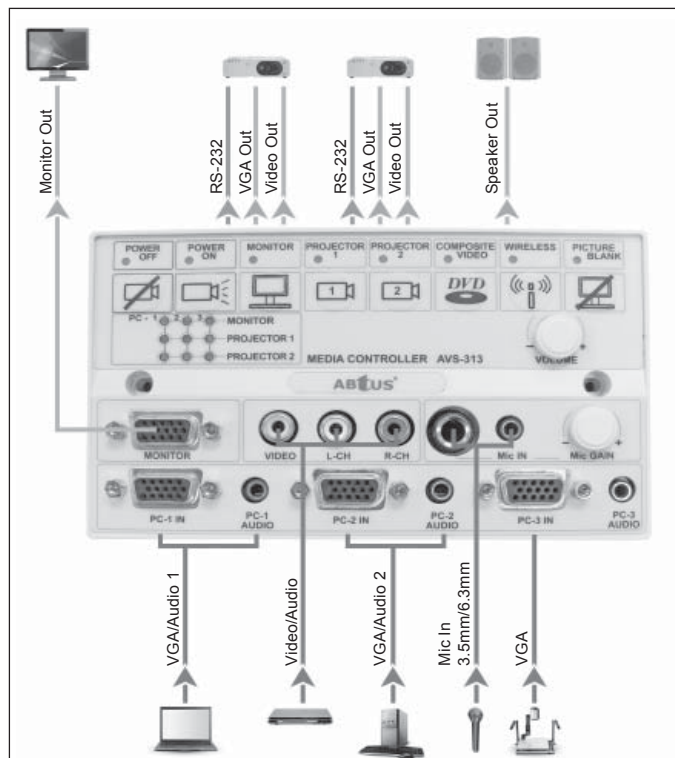


### DESCRIPTION

The ABtUS AVS-313 Media Control Panel is one of the most user friendly and installer friendly Programmable Controller, specifically designed for a easy and central control of any two projection systems as well as a monitor out. It removes the need for over-complicated and multiple remote control handsets. With the 3x3 VGA/Audio matrix switching, user are now free to project any VGA image to any output display (monitor, projector 1 and projector 2) accordingly. Ideal for Lab or training room with dual projection application.

### FEATURES

- "User Programmable" with Window base Application Software
- Simple to used with one to one function controlled button
- Fully self contained / integrated Projector Controller with AV switcher VGA Matrix switching
- Supports 3 x 3 VGA matrix switching with resolutions from VGA to SXGA
- Easy Installation with standard 2.54mm connector and cabling



### TYPICAL APPLICATIONS

Any professional presentation system requiring multiple AV Inputs of all different type of Video standard and a standard projector controller.

- Schools (Media Classroom) • Churches • Corporate Applications (Training Room)

### TECHNICAL SPECIFICATION

<b>INPUT:</b>	3 x PC Input (*D-Sub 15pin)
	3 x PC-Audio (*3.5mm)
	1 x C-Video (*RCA)
	1 x Stereo Audio (*RCA)
	1 x Stereo Audio (*2.54mm connector, feedback from projector)
	1 x Mic Input (*3.5mm)
	1 x Mic Input (*6.3mm)
<b>OUTPUT:</b>	2 x VGA Output (*standard 2.54mm connector for Projector)
	1 x VGA output (*D-Sub 15pin for monitor)
	2 x C-Video (*standard 2.54mm connector)
	1 x Main Stereo Audio (*standard 2.54mm connector)
	2 x Tx (*standard 2.54mm connector)

VGA BANDWIDTH: 3-in 3-out VGA Matrix Switcher Distribution Amplifier (900MHz R+G+B)

MAX RESOLUTION: 1280 x 1024

ALL CABLE LENGTH: Up to 28 meter

CONFIGURABLE COM PORT: 1:2 x RS-232 (8 Data Bit and 1 Stop Bit)

BAUD RATE: 1200 to 115200

PARITY BIT: Non, Even or Odd

DELAY TIME: Projector "ON/OFF" delay time (\*in sec) 1 to 99

CONTROL BUTTON: Number of user defined "Control Button" : 8  
Available protocol for each "Control Button" : 2

VIDEO SELECTION: All Video/VGA Input Switching Digital

AUDIO SELECTION: Audio Input Switching Digital

VOLUME: Main Volume Control Analog

MIC GAIN: Microphone Input Gain Control Analog

POWER ADAPTOR: 12V-DC, 500mA

HOUSING: ABS Enclose

GROSS DIMENSIONS: 200 x 190 x 80 mm (without cable kit)

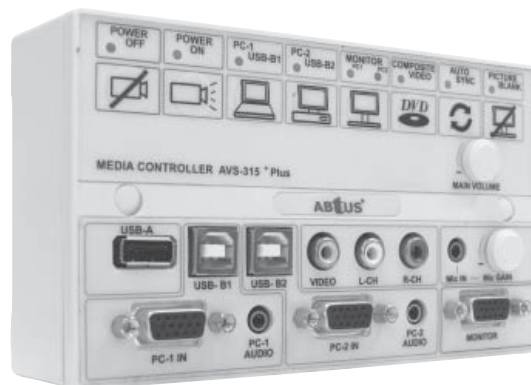
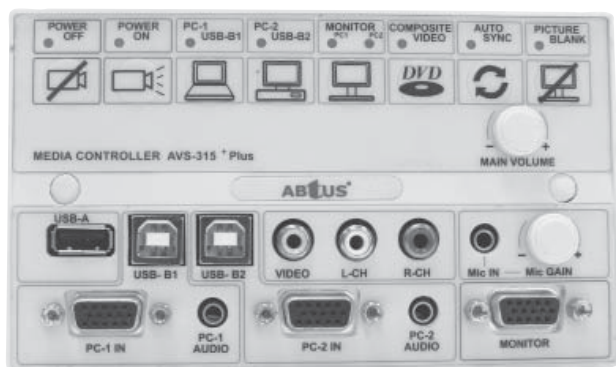
GROSS WEIGHT: 525 g (without cable kit)

\* Specifications are subject to change without notice.

**ABTUS**

# AVS-315+ PLUS

## PROGRAMMABLE INTEGRATED PROJECTOR CONTROLLER SWITCHER

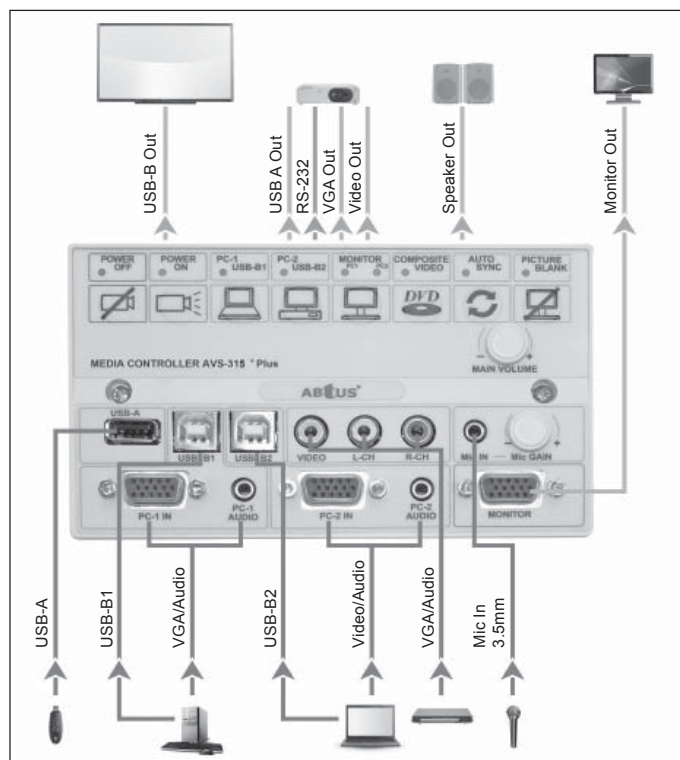


### DESCRIPTION

The ABTUS 315 plus Media Control Panel is one of the most user friendly and installer friendly Programmable Controller, specifically designed for a easy and central control of any AV projection system with interactive through USB. It removes the need for over-complicated and multiple remote control handsets. With the 2:1 USB-B switcher, switching for projection with interactive can now be done with just a push of a button.

### FEATURES

- "User Programmable" with Window base Application Software
- Simple to used with one to one function controlled button
- Works well with any monitors, projectors as well as interactive system
- Supports 2x2 VGA matrix switching
- Easy Installation with standard 2.54mm connector and cabling
- Fully self contained / integrated Projector Controller with AV switcher
- Build in USB buffer with best connective for interactive system and USB thumb drive



### TYPICAL APPLICATIONS

Any professional presentation system requiring multiple AV Inputs of all different type of Video standard and a standard projector controller.

- Schools (Media Classroom) • Churches • Corporate Applications (Meeting Room)

### TECHNICAL SPECIFICATION

**INPUT:** 2 × VGA Input (\*D-Sub 15pin)  
 2 × PC-Audio (\*3.5mm)  
 1 × C-Video (\*RCA)  
 1 × Stereo Audio (\*RCA)  
 1 × Mic Input (\*3.5mm)  
 2 × USB-B (Switcher with build in buffer)  
 1 × USB-A (for Thumb Drive with build in buffer)

**OUTPUT:** 1 × VGA (\*standard 2.54mm connector for Projector)  
 1 × VGA output (\*D-Sub 15pin for monitor)  
 1 × C-Video (\*standard 2.54mm connector)  
 1 × Main Stereo Audio (\*standard 2.54mm connector)  
 1 × Tx (\*standard 2.54mm connector)  
 1 × USB-B  
 1 × USB-A

**VGA BANDWIDTH:** 2 × 2 VGA Matrix Switching  
 900MHz (R+G+B)

**MAX RESOLUTION:** 1280 × 1024

**ALL CABLE LENGTH:** Up to 28 meter

**CONFIGURABLE COM PORT:** 1 × RS-232 (8 Data Bit and 1 Stop Bit)

**BAUD RATE:** 1200 to 115200

**PARITY BIT:** Non, Even or Odd

**DELAY TIME:** Projector "ON/OFF" delay time (\*in sec) 1 to 99

**CONTROL BUTTON:** Number of user defined "Control Button" : 8  
 Available protocol for each "Control Button" : 1

**LED / BUZZER:** Yes

**VIDEO SELECTION:** All Video/VGA/USB Input Switching Digital

**AUDIO SELECTION:** Audio Input Switching Digital

**VOLUME:** Main Volume Control Analog

**MIC GAIN:** Microphone Input Gain Control Analog

**POWER ADAPTOR:** 12V-DC, 500mA

**HOUSING:** ABS Enclose

**GROSS DIMENSIONS:** 190 × 195 × 80 mm (without cable kit)

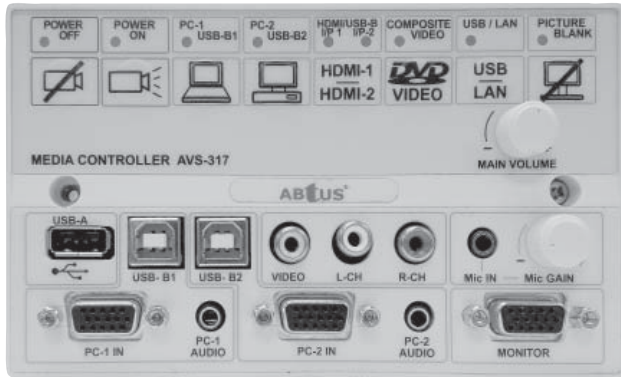
**GROSS WEIGHT:** 530 g (without cable kit)

\* Specifications are subject to change without notice.

# AVS-317

## PROGRAMMABLE INTEGRATED PROJECTOR CONTROLLER SWITCHER

(2 X HDMI)

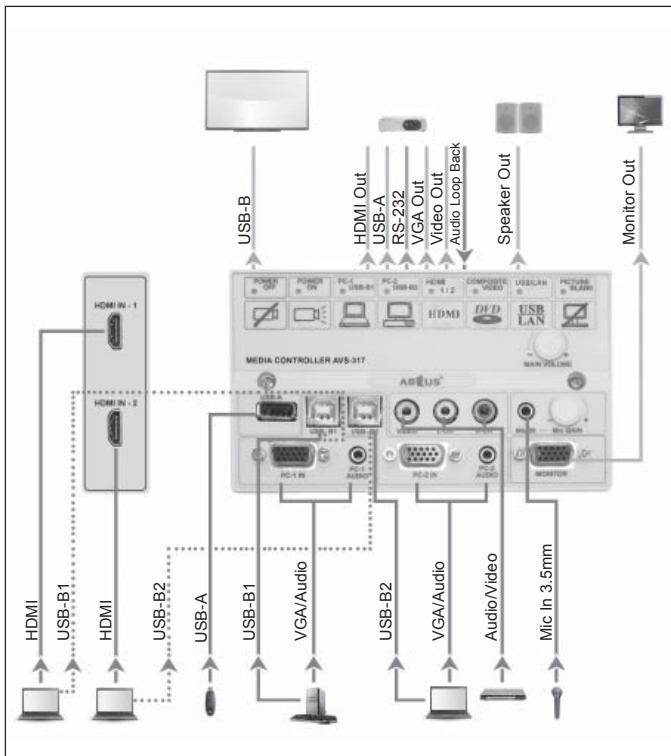


### DESCRIPTION

The ABUS AVS-317 Media Control Panel is one of the most user friendly and installer friendly unit that is specifically designed for an easy and central control of any AV projection system with USB interactive connectivity. It removes the need for over-complicated and multiple remote control handsets. With the 2:1 USB-B switcher, switching for projection with interactive can now be done with just a push of a button.

### FEATURES

- "User Programmable" with Window based Application Software
- Simple to use with one to one function controlled button
- Works well with any monitors, projectors as well as interactive system
- Supports 2 VGA and 2 HDMI inputs
- Easy installation with standard 2.54mm connector and cabling
- Fully self contained / integrated projector controller with AV switcher
- Build in USB buffer with best connectivity for interactive system and USB thumb drive.



### TYPICAL APPLICATIONS

Any professional presentation system requiring multiple AV Inputs of all different type of Video standard and a standard projector controller.

- Schools (Media Classroom) • Churches • Corporate Applications (Meeting Room)

### TECHNICAL SPECIFICATION

- INPUT:**
- 2 × VGA (\*D-Sub 15pin)
  - 2 × PC-Audio (\*3.5mm)
  - 1 × C-Video (\*RCA)
  - 1 × Mic Input (\*3.5mm)
  - 2 × USB-B (switcher with build in buffer)
  - 1 × USB-A (for Thumb Drive with build in buffer)
  - 2 × HDMI (19 pin female with build in buffer)
  - 1 × Audio loop back (HDMI)
- OUTPUT:**
- 2 × VGA (\*\* 1 to projector and 1 for monitor)
  - 1 × HDMI
  - 1 × C-Video
  - 1 × Main stereo audio
  - 1 × USB-B
  - 1 × USB-A

VGA BANDWIDTH: 2: 1 × 2 Switching (-3DB)(900MHz R+G+B)  
 MAX RESOLUTION: 1280 × 1024 (VGA), Full HD 1080p (HDMI)  
 ALL CABLE LENGTH: Up to 15 meter (HDMI), Up to 28 meter  
 (all other cables) (\*subject to grade of cables used)

CONFIGURABLE COM PORT: 1 × RS-232  
 (9600, 8 data bit, non parity and 1 stop bit)  
 1 × RS-232 (8 data bit and 1 stop bit)

BAUD RATE : 9600 to 115200

PARITY BIT: Non, Even or Odd

DELAY TIME: Projector "ON/OFF" delay time (\*in sec) 1 to 99

CONTROL BUTTON: Number of user defined "Control Button" × 8  
 (10 commands)

Available protocol for each "Control Button" × 1  
 ( × 2 depending on configurations)

LED / BUZZER: Yes

VIDEO SELECTION: All VGA/ USB Input Switching Digital

AUDIO SELECTION: Audio Input Switching Digital

VOLUME: Main Volume Control Analog

MIC GAIN: Microphone Input Gain Control Analog

POWER ADAPTOR: 12V-DC, 500mA

HOUSING: ABS

GROSS DIMENSIONS: 200 × 200 × 80 mm (without cable kit)

GROSS WEIGHT: 700 g (without cable kit)

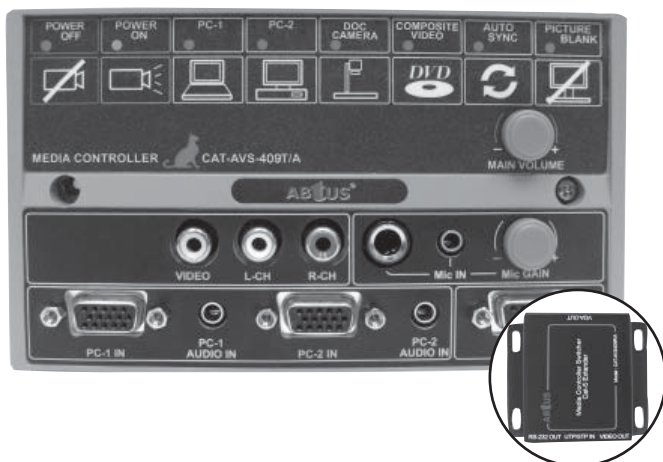
\* Specifications are subject to change without notice.

**ABUS**

# CAT-AVS-409T/A & CAT-AVS-409R/A

## PROGRAMMABLE INTEGRATED PROJECTOR CONTROL SWITCHER

### WITH SINGLE CAT-5 OUTPUT INTERCONNECTION

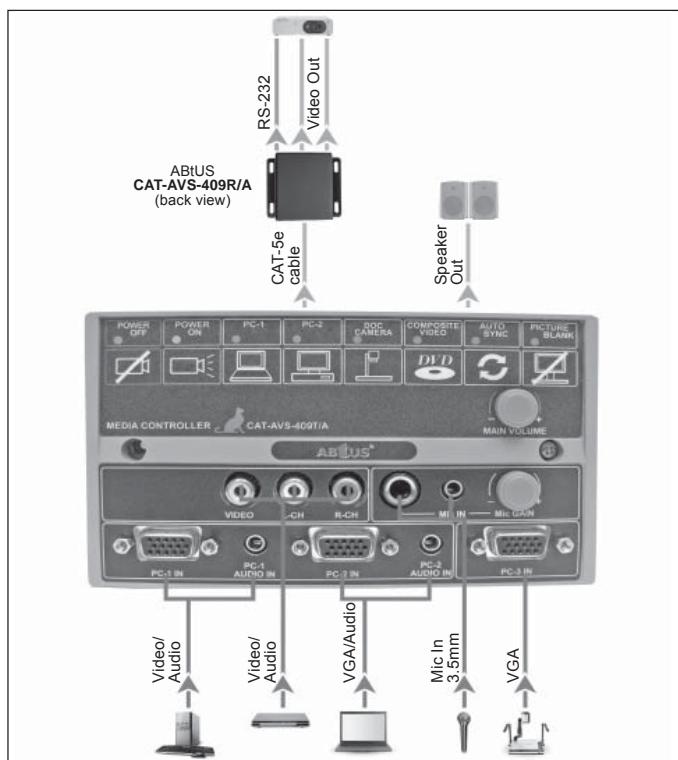


#### DESCRIPTION

The ABTUS CAT-AVS-409T/A (Tx) and CAT-AVS-409R/A (Rx) Media Control Panel is one of the most user friendly and installer friendly Programmable controller specifically designed for a easy interconnection to projector with a single Cat-5e cable. It removes the need for over-complicated and multiple remote control handsets. With it single Cat-5 interconnection, disconnection and reconnection can never be easier and faster. Ideal for Controller mounted on mobile rostrum.

#### FEATURES

- "User Programmable" with Window base Application Software
- Simple to used with one to one function controlled button
- Fully self contained / integrated Projector Controller with AV and VGA switching
- Single Cat-5 interconnection for fast and easy disconnection and reconnection
- "POE" Power Over Ethernet, NO additional power adaptor is required at the Receiver



#### TYPICAL APPLICATIONS

Any professional presentation system requiring quick and easy disconnect and reconnection control unit on mobile.

- Schools (Media Classroom) • Churches • Corporate Applications (Training Room)

#### TECHNICAL SPECIFICATION

	CAT-AVS-409T/A	CAT-AVS-409R/A
<b>INPUT:</b>	3 × PC Input (*D-Sub 15pin) 2 × PC-Audio (*3.5mm) 1 × C-Video (*RCA) 1 × Stereo Audio (*RCA) 1 × Microphone (*3.5mm) 1 × Microphone (*6.3mm)	1 x RJ45 (*Cat-5 from Transmitter unit)
<b>OUTPUT:</b>	1 x VGA output (*standard 2.54mm connector to Local Monitor) 1 x Stereo Audio (*Standard 2.54mm to 3.5mm stereo jack) 1 x RJ45 (*Cat-5 to Receiver unit)	1 x PC Input (*D-Sub 15pin) 1 x C-Video (*RCA) 1 x RS-232 (*3.8mm terminal block)
<b>VGA BANDWIDTH:</b>	3-in 2-out VGA Switcher Distribution Amplifier (900MHz R+G+B)	
<b>MAX RESOLUTION:</b>	1280 × 1024	
<b>CAT-5 CABLE LENGTH:</b>	Up to 20 meter (*Base on standard ABTUS Cat-5e cable) *Standard/length may varies base on the type Cat-5 cable used	
<b>CONFIGURABLE COM PORT:</b>	1 x RS-232 (8 Data Bit and 1 Stop Bit)	
<b>BAUD RATE:</b>	1200 to 115200	
<b>PARITY BIT:</b>	Non, Even or Odd	
<b>DELAY TIME:</b>	Projector "ON/OFF" delay time (*in sec) 1 to 99	
<b>CONTROL BUTTON:</b>	Number of user defined "Control Button" : 8 Available protocol for each "Control Button" : 2	
<b>LED / BUZZER:</b>	Yes	
<b>VIDEO SELECTION:</b>	All Video/VGA Input Switching	Digital
<b>AUDIO SELECTION:</b>	Audio Input Switching	Digital
<b>VOLUME:</b>	Main Volume Control	Analog
<b>MIC GAIN:</b>	Microphone Input Gain Control	Analog
<b>POWER ADAPTOR:</b>	12V-DC, 500mA	
<b>HOUSING:</b>	ABS Enclose	
<b>GROSS DIMENSIONS:</b>	263 × 183 × 78 mm (without cable kit)	
<b>GROSS WEIGHT:</b>	710 g (without cable kit)	

\* Specifications are subject to change without notice.

# QUICK INSTALLATION KITS

## EDU MEDIA 210



### DESCRIPTION

Students, especially young children, are visual learners. Their attention span may be short and it may be difficult to spark their interest during lessons. Multimedia teaching materials can add a new dimension to a classroom and improve willingness to learn. The dynamic effect also helps engage and encourage participation which will in turn improve learning efficiencies.

To cater for the requirements of a basic multimedia classroom, ABtUS introduced EduMedia, a quick installation kit for any classroom. This comes with a customized handy box mounted to the wall for efficient cable management and easy one touch access to switch and control all the A/V equipment from the same spot. Perfect for classroom installations.



### TYPICAL APPLICATIONS

Quick installation kit complete with high performance projector controller. Ideal for any classroom/training room, board room, meeting room or multipurpose hall.



### FEATURES

- Quick hassle free installation with standard 2.54mm connector and cabling
- One box solution
- Easy to use with one-to-one function controlled button
- Works well with any monitors and projectors
- Supports 3 VGA input with resolutions from VGA to SXGA

### TECHNICAL SPECIFICATION

1. Multimedia Controller Switcher
  - AVS-308V6
2. Cables
  - AV-RGB6.5MM-WF (VGA cable 10M)
  - AV-RCA3.0-2P-WF (Video cable 10M)
  - AV-2RCA (Stereo audio cable 10M)
  - AV-R3.5MFC (Stereo audio cable 10M)
  - HITA-2005-TX-3P (RS-232 TX cable 10M)
3. Projector Mount
  - AV815 Projector Ceiling Mount
4. Projector security Lock

\* Specifications are subject to change without notice.

**ABtUS**



## QUICK INSTALLATION KITS

EDU MEDIA 110A



### TECHNICAL SPECIFICATION

- Multimedia Controller Switcher
  - AVS-315 PLUS with 2 x USB B, 1 X USB A (Enhanced USB buffering)
- Cables
  - AV-RGB6.5MM-WF (VGA cable D-Sub 15pin to 2.54mm connector) 10M
  - AV-RCA3.0-2P-WF (Video cable RCA to 2.54mm connector) 10M
  - AV-2RCA (Stereo audio cable 2RCA to 2.54mm connector) 10M
  - HITA-2005-TX-3P (RS-232 TX cable D-sub 9 pin to 2.54mm connector) 10M
  - USB Cable (USB-A-Male 2.54-5M)
  - USB Cable (USB-B-Male 2.54-3M)
- Projector Mount
  - AV815 Projector Ceiling Mount
- Projector security Lock
- Audio System
  - AMP-S025A Eco Amplifier

## QUICK INSTALLATION KITS

EDU MEDIA 120



### TECHNICAL SPECIFICATION

- Multimedia Controller Switcher
  - AVS-315 PLUS with 2 x USB B, 1 X USB A (Enhanced USB buffering)
- Cables
  - AV-RGB6.5MM-WF (VGA cable D-Sub 15pin to 2.54mm connector) 10M
  - AV-RCA3.0-2P-WF (Video cable RCA to 2.54mm connector) 10M
  - AV-2RCA (Stereo audio cable 2RCA to 2.54mm connector) 10M
  - HITA-2005-TX-3P (RS-232 TX cable D-sub 9 pin to 2.54mm connector) 10M
  - USB Cable (USB-A-Male 2.54-5M)
  - USB Cable (USB-B-Male 2.54-3M)
- Projector Mount
  - AV891-1500-V1 Short-Throw Projector Wall Mount
- Projector security Lock

## QUICK INSTALLATION KITS

EDU MEDIA 320S

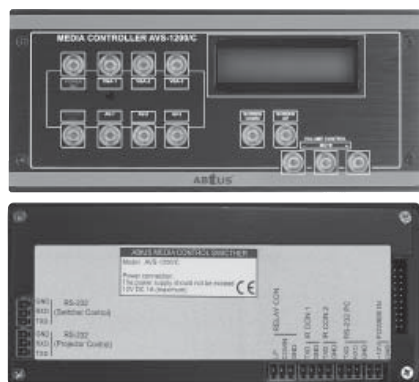


### TECHNICAL SPECIFICATION

- Multimedia Controller Switcher
  - AVS-312 with additional USB output for Interactive White Board
- Cables
  - AV-RGB6.5MM-WF (VGA cable D-Sub 15pin to 2.54mm connector) 10M
  - AV-RCA3.0-2P-WF (Video cable RCA to 2.54mm connector) 10M
  - AV-2RCA (Stereo audio cable 2RCA to 2.54mm connector) 10M
  - HITA-2005-TX-3P (RS-232 TX cable D-sub 9 pin to 2.54mm connector) 10M
  - USB Cable (USB-A-Male 2.54-5M)
- Projector Mount
  - AV891-1500-V1 Short-Throw Projector Wall Mount
- Projector security Lock
- Audio System
  - SPS-S035A/P1 Speaker System with Eco Digital Amplifier (35 Watts per channel)

# AVS-1200C

## USER PROGRAMMABLE MULTIMEDIA CONTROLLER



### DESCRIPTION

The ABtUS AVS-1200C is a high performance User Programmable Multimedia Controller designed for any small Multimedia Class Room or boardroom application. With its simple integration and user friendly functions, ABtUS AVS-1200C can be easily integrated and acts as an extended central media control unit. Functions include a universal projector control which controls a projector's power on/off, Input switching, and volume control via RS-232 and/or IR control. The AVS-1200C can also be configured for motorized screens or room's lighting control.

### FEATURES

- **"User Programmable"** Comes with user friendly UI application software
- **Universal projector/display panel control** Provided Projector control via IR (IR learning capabilities) or user-defined RS-232 commands.
- **Room control** Two configurable relays allow centralized control of room functions such as motorized screen or lightings settings.
- **IR learning (IRMCs)** Enables customized IR control of projector when RS-232 control is not available.
- **One-touch Input selection** Input selection buttons can be customized with clearly labeled and backlit (LED) for displays.
- **Timer clock power shut-down** An adjustable timer that allows automatic shut down of projector to preserve energy and extend projector lamp life.
- **LCM Display** Clock and I/O indication
- **Volume control** Volume control for projector or any media speaker.

### TECHNICAL SPECIFICATION

CONFIGURATION COM PORT: 1 × RS-232  
(9600, 8 data bit, Non Parity and 1 stop bit)  
2 × RS-232 (8 Data Bit and 1 Stop Bit)  
2 × IR out

BAUD RATE: (1200 to 115200)

PARITY BIT: (Non, Even or Odd)

DIGITAL I/O: External control for screen relay

CONTROL BUTTON: Number of user defined "Control Button" × 11  
Available protocol for each "Control Button" × 2

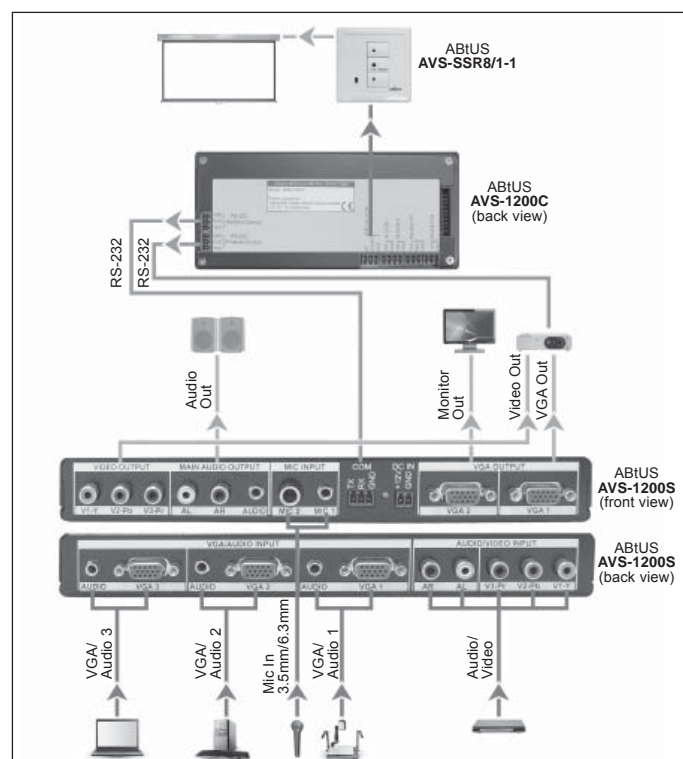
LED / BUZZER: Yes

POWER ADAPTOR: 12V-DC, 500mA

HOUSING: Metal

GROSS DIMENSIONS: 242 × 183 × 87 mm

GROSS WEIGHT: 2 kg



### TYPICAL APPLICATIONS

The AVS-1200C is part of the ABtUS series of high quality and cost effective User Programmable Media Controller designed especially for professional installers. ABtUS products can be found in industrial, commercial, educational, military and government applications such as:

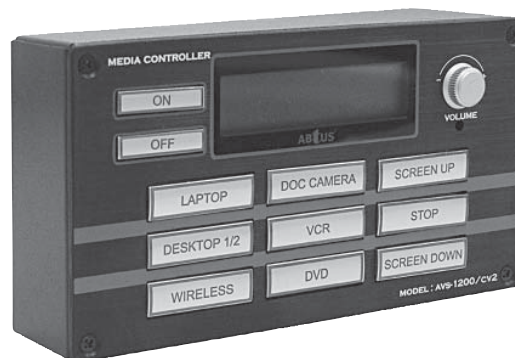
- Schools / Classrooms
- Training rooms
- Workstation environments
- Multipurpose Halls

\* Specifications are subject to change without notice.

**ABtUS**

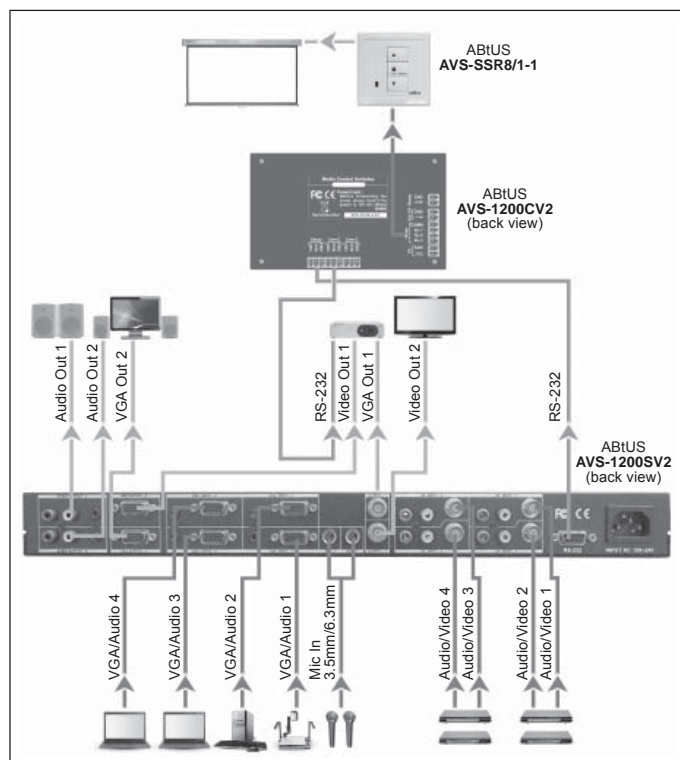
# AVS-1200CV2

## USER PROGRAMMABLE MULTIMEDIA CONTROLLER



### DESCRIPTION

The ABtUS AVS-1200CV2 is a high performance User Programmable Multimedia Controller designed for any small Multimedia Class Room or boardroom application. With its simple integration and user friendly functions (easy to use) ABtUS AVS-1200CV2 can be easily integrated and acts as an extended central media control unit. Functions include a universal projector control which controls a projector's power on/off, input switching, and volume control via RS-232 or IR control. The AVS-1200CV2 can also be configured for motorized screens or room's lighting control.



### TYPICAL APPLICATIONS

The AVS-1200CV2 is part of the ABtUS series of high quality and cost effective User Programmable Media Controller designed especially for professional installers. ABtUS products can be found in industrial, commercial, educational, military and government applications such as:

- Schools / Classrooms
- Training rooms
- Workstation environments
- Multipurpose Halls

### FEATURES

- **“User Programmable”** Comes with user friendly UI application software
- **User changeable button label/text** Buttons/text can be changed according to requirement
- **Universal projector/display panel control** Control projector display via IR (IR learning capabilities) or user-defined RS-232 commands.
- **Room control** Three configurable relays allow centralized control of room functions such as motorized screen or lightings settings.
- **IR learning** (IRMCs) Enables customized IR control of projector when RS-232 control is not available.
- **One-touch Input selection** Input selection buttons can be customized (with LED backlight)
- **Timer clock power shut-down** An adjustable timer that allows automatic shut down of projector to preserve energy and extend projector lamp life.
- **LCM Display** Clock and I/O display
- **External Power Off control** Unit can be connected to an external power off control system for remote monitoring and control.

### TECHNICAL SPECIFICATION

CONFIGURATION COM PORT: 1 × RS-232  
(9600, 8 data bit, Non Parity and 1 stop bit)  
2 × RS-232 (8 Data Bit and 1 Stop Bit)  
1 × IR out  
1 × External Power Off control

BAUD RATE: 1200 to 115200

PARITY BIT: Non, Even or Odd

DIGITAL I/O: 3 × External for controlling screen relay controller

CONTROL BUTTON: Number of user defined “Control Button” x 11  
Available protocol for each “Control Button” x 2

LED / BUZZER: Yes

POWER ADAPTOR: 12V-DC, 500mA

HOUSING: Metal / Aluminum

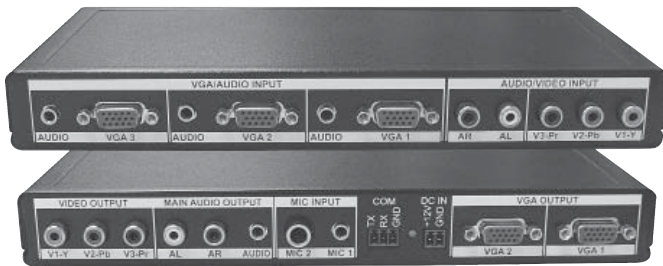
GROSS DIMENSIONS: 265 × 185 × 80 mm

GROSS WEIGHT: 2 kg

\* Specifications are subject to change without notice.

# AVS-1200S

## MULTIMEDIA SWITCHER



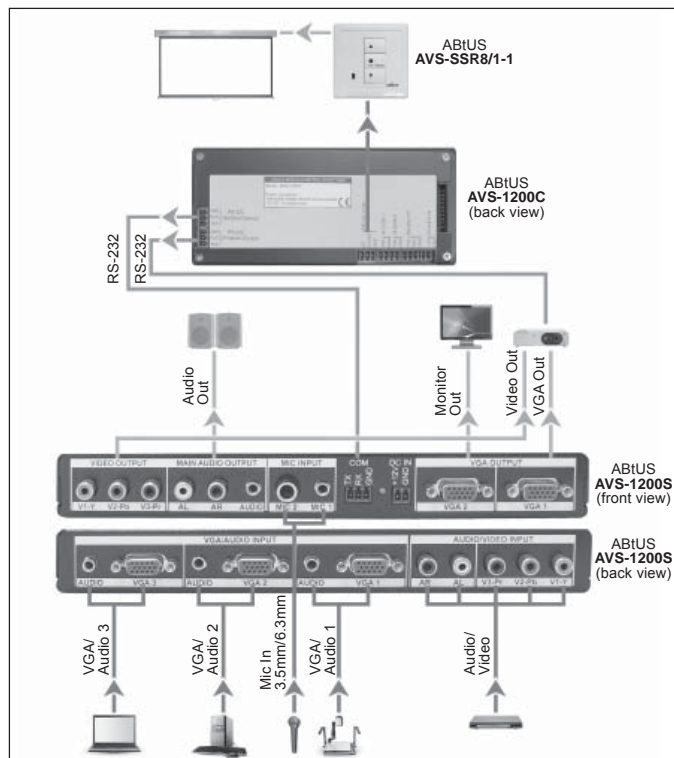
### DESCRIPTION

The ABtUS AVS-1200S is a high performance Multimedia Switcher designed for any small medium multimedia classroom or boardroom application.

AVS-1200S can also be configured together with the AVS-1200C as the Multimedia Controller Switcher.

### FEATURES

- RS-232 Controllable
- Easy Installation with standard AV I/O connector and cabling
- Fully self contained / integrated AV switcher
- Supports 3 VGA inputs with resolutions from VGA to SXGA
- Works well with any monitors and projectors



### TYPICAL APPLICATIONS

The AVS-1200S is part of the ABtUS series of high quality, high bandwidth and cost effective Distribution Amplifiers and Switchers especially for professional installers. ABtUS products can be found in industrial, commercial, educational, military and government applications such as:

- Schools / Classrooms
- Training rooms
- Workstation environments
- Multipurpose Halls

### TECHNICAL SPECIFICATION

<b>INPUT:</b>	3 × VGA Input (*D-Sub 15pin)
	3 × PC-Audio (*3.5mm mini jack)
	1 × C-Video (*1xRCA)
	1 × Stereo Audio (*2xRCA)
	1 × Microphone (*3.5mm)
	1 × Microphone (*6.3mm)
<b>OUTPUT:</b>	2 × VGA output (*900MHz)
	**1 to projector and 1 for monitor
	1 × C-Video (*1xRCA)
	1 × Main Stereo Audio (*2xRCA)
<b>VGA BANDWIDTH:</b>	3-in 2-out VGA Distribution Amplifier Switcher (900MHz R+G+B)
<b>MAX RESOLUTION:</b>	1280 x 1024
<b>ALL CABLE LENGTH:</b>	Up to 28 meter
<b>CONTROL:</b>	RS-232 controllable (8 Data Bit and 1 Stop Bit)
<b>BAUD RATE:</b>	9600
<b>PARITY BIT:</b>	Non
<b>LED INDICATOR:</b>	Yes
<b>VIDEO SELECTION:</b>	All Video/VGA Input Switching Digital
<b>AUDIO SELECTION:</b>	Audio Input Switching Digital
<b>VOLUME:</b>	Main Volume Control Digital
<b>MIC GAIN:</b>	Microphone Input Gain Control Default
<b>USER CONFIGURABLE:</b>	YES
<b>POWER ADAPTOR:</b>	12V-DC, 500mA
<b>HOUSING:</b>	Metal
<b>GROSS DIMENSION:</b>	267 × 224 × 66 mm
<b>GROSS WEIGHT:</b>	2 kg

\* Specifications are subject to change without notice.

**ABtUS**

# AVS-1200SV2

## MULTIMEDIA SWITCHER



### DESCRIPTION

The ABtUS AVS-1200SV2 is a high performance Multimedia Switcher designed for any small medium multimedia classroom or boardroom application.

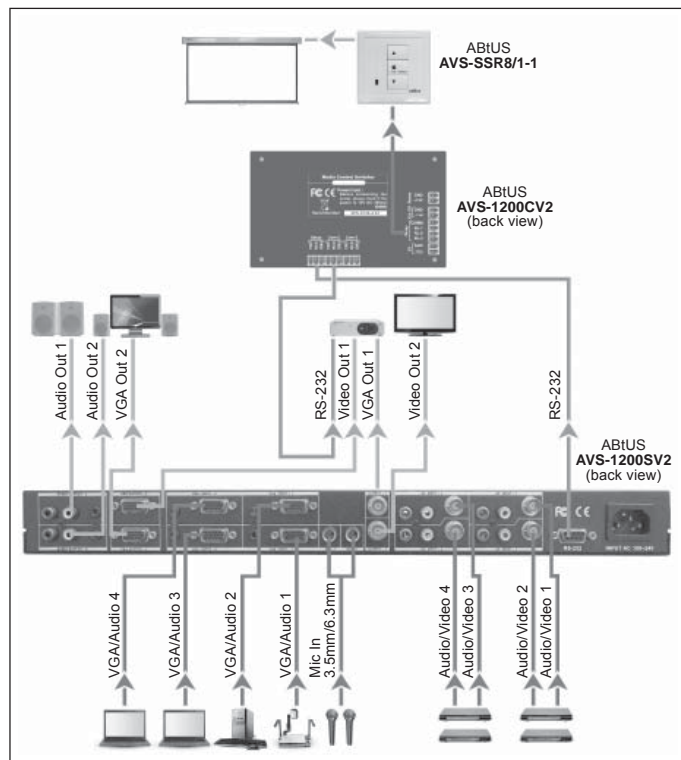
AVS-1200SV2 can also be configured together with the AVS-1200CV2 as the Multimedia Controller Switcher.

### FEATURES

- RS-232 Controllable
- Easy Installation with standard AV I/O connector and cabling
- Fully self contained / integrated AV switcher
- Supports 4 VGA inputs with resolutions from VGA to SXGA
- Works well with any monitors and projectors

### TECHNICAL SPECIFICATION

<b>INPUT:</b>	4 × VGA Input (*D-Sub 15pin) 4 × PC-Audio (*3.5mm mini jack) 4 × C-Video (*1 × RCA) 4 × Stereo Audio (*2 × RCA) 1 × Microphone (*6.3mm)
<b>OUTPUT:</b>	2 × VGA output (*900MHz) **1 to projector and 1 for monitor 2 × C-Video (*1 × RCA) 2 × Main Stereo Audio (*2 × RCA)
<b>VGA BANDWIDTH:</b>	4-in 2-out VGA Distribution Amplifier Switcher (900MHz R+G+B) **Output-2 follows Input-4
<b>MAX RESOLUTION:</b>	1280 × 1024
<b>ALL CABLE LENGTH:</b>	Up to 28 meter
<b>CONTROL:</b>	RS-232 controllable (8 Data Bit and 1 Stop Bit)
<b>BAUD RATE:</b>	9600
<b>PARITY BIT:</b>	Non
<b>LED INDICATOR:</b>	Yes
<b>VIDEO SELECTION:</b>	All Video/VGA Input Switching Digital
<b>AUDIO SELECTION:</b>	Audio Input Switching Digital
<b>VOLUME:</b>	Main Volume Control Digital
<b>MIC GAIN:</b>	Microphone Input Gain Control Digital
<b>CONTROL:</b>	Front Panel and RS-232
<b>HOUSING:</b>	Metal
<b>ACCESSORIES:</b>	AC Cord
<b>POWER SOURCE:</b>	110 to 240 VAC, 50/60Hz
<b>GROSS DIMENSION:</b>	535 × 370 × 77 mm
<b>GROSS WEIGHT:</b>	4.9 kg



### TYPICAL APPLICATIONS

The AVS-1200SV2 is part of the ABtUS series of high quality and cost effective User Programmable Media Controller designed especially for professional installers. ABtUS products can be found in industrial, commercial, educational, military and government applications such as:

- Schools / Classrooms • Training rooms • Workstation environments • Multipurpose Halls

\* Specifications are subject to change without notice.

# IIFP-502A

INTERFACE PANEL, 2RCA (AUDIO), 1 PC AUDIO WITH BUILT-IN AMPLIFIER AND CABLE KIT

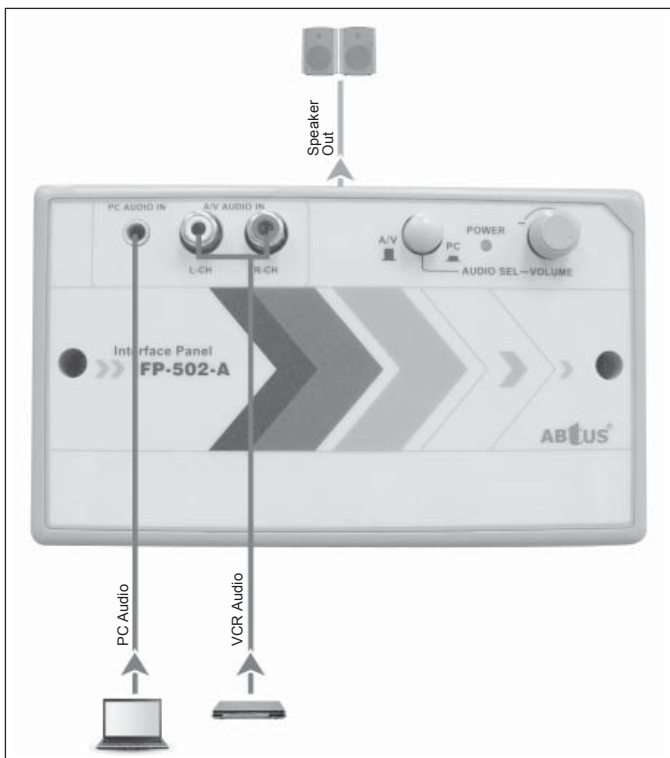


## DESCRIPTION

The IIFP-502A is an integrated interface panel with built-in Audio Amplifier of 30W per channel. It is ideal for a multimedia classroom integration for audio routing and amplification.

## FEATURES

- Audio output power at 30W per channel
- Easy Installation



## TYPICAL APPLICATIONS

Any professional presentation system requiring multiple AV Inputs of all different types of Video standard and a standard projector controller.

- Schools (Media Classrooms) • Churches • Corporate Applications (Meeting Rooms)

## TECHNICAL SPECIFICATION

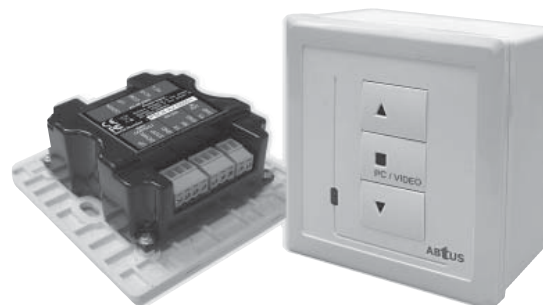
INPUT:	1 × 3.5mm PC Audio 2 × RCA AV/Audio 1 × 3.8mm connector (DC Power)
OUTPUT:	2 × 3.8mm connector Speaker out
MAX AUDIO OUTPUT POWER:	30W per channel
SPEAKER IMPEDANCE:	4 to 16 ohm
POWER SOURCE:	18V-DC, 3A
HOUSING:	ABS
ACCESSORY:	AC-DC Power Adaptor 18V-DC, 3A
GROSS DIMENSIONS:	163 × 100 × 66 mm (without cable kit)
GROSS WEIGHT:	310 g (without cable kit)

\* Specifications are subject to change without notice.

**ABTUS**

# AVS-SSR8/1-1

## UNIVERSAL PROJECTOR AND MOTORIZED SCREEN CONTROLLER



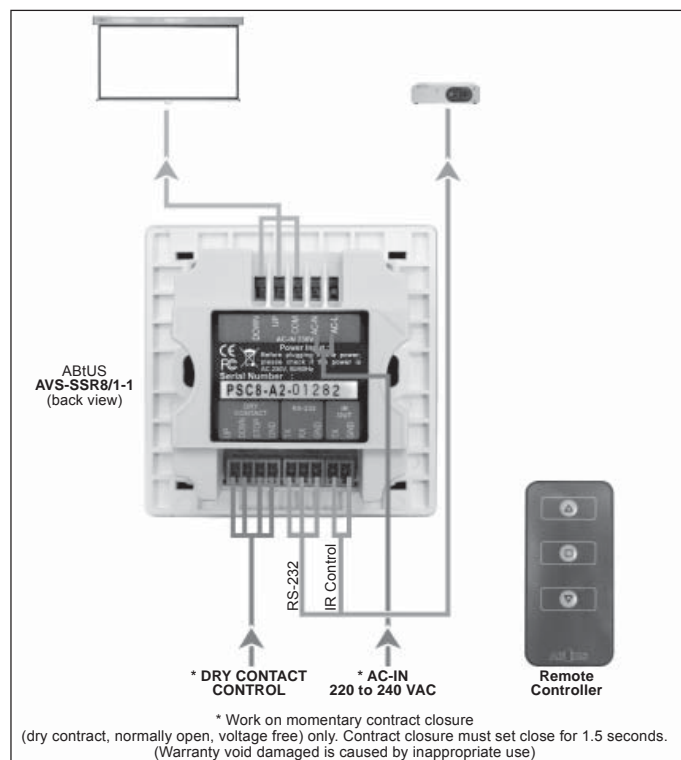
### DESCRIPTION

AVS-SSR8/1-1 is a Universal IR Motorized Screen and Projector Controller. It can easily be integrated into a Home Theater, Media Class Room, Meeting Room and more. It is also able to integrate with any third party central control system. Allows simple integration with direct power control of 220 to 240 VAC 50Hz/60Hz.

It is integrated with IR/RS-232 projector control capability in one single controller. With the programming software, projector control can be set easily. It is also integrated with a self-contained universal IR learning function which enables the switcher to be programmed to control any brand or model of projectors in the market.

### FEATURES

- 2:1 controller (Control with motorized screen and projector)
- Programmable RS-232 for projector control
- IR learning function for projector control (if RS-232 is not available)
- With "dry contact" control



### TECHNICAL SPECIFICATION

**CONTROL:** Hard button, IR Remote or Dry Contact Closure  
(Voltage Free)

**I/O PORT:** 5 × 5.0mm Screw Type Connector  
(AC-N, AC-L, Common, Screen Up and Screen Down)  
1 × 4 port 3.8mm screw type terminal block  
(Dry contact control)  
1 × 3 port 3.8mm screw type terminal block (RS-232)  
1 × 2 port 3.8mm screw type terminal block (IR)

**CURRENT RATING:** MAX. Load 1.8A

**HOUSING:** ABS

**POWER SOURCE:** 220VAC to 240 VAC, 50/60 Hz

**ACCESSORIES:** 1 × IR Remote Controller and 1 × IR probe

**GROSS DIMENSION:** 185 × 163 × 63 mm

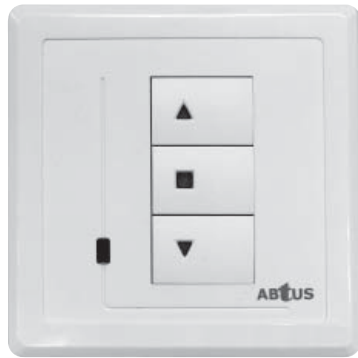
**GROSS WEIGHT:** 410 g

### TYPICAL APPLICATIONS

Any professional presentation system requiring projector & screen control.  
• Schools (Media Classrooms) • Churches • Corporate Applications (Meeting Rooms)

\* Specifications are subject to change without notice.

## AVS-SSR8/3 (UK VERSION) MOTORIZED SCREEN CONTROLLER

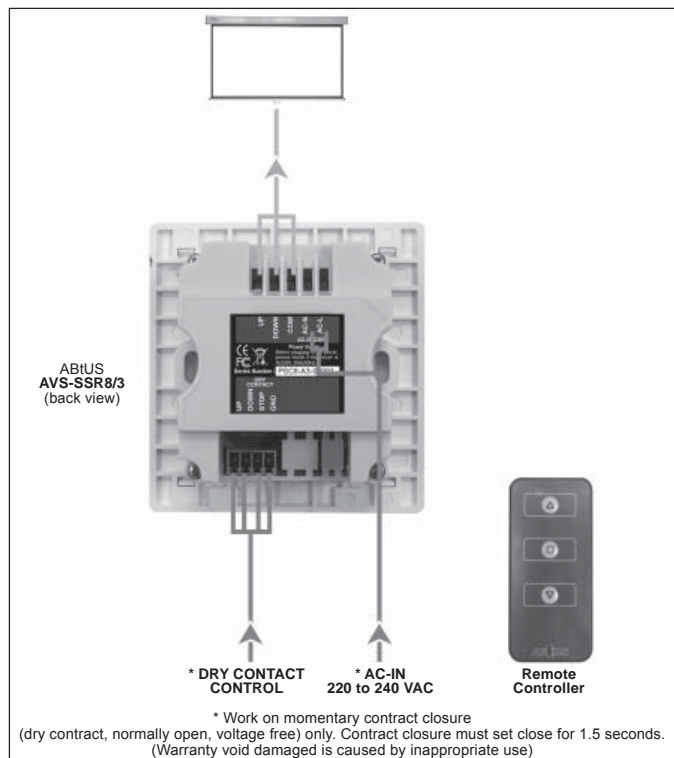


### DESCRIPTION

AVS-SSR8/3 is a simple IR Motorized Screen Controller. It can be easily integrated into a Home Theater, a Media Class Room, a Meeting Room and etc. It is also able to integrate with any third party central control system through dry contact closure. Simple integration with direct power control of 220 to 240 VAC 50Hz/60Hz (motorized screen).

### FEATURES

- Simple and direct connection to any motorized projector screen
- With Dry contact control, allow integration with any third party central controller



### TYPICAL APPLICATIONS

Any professional presentation system requiring projector & screen control.

- Schools (Media Classrooms) • Churches • Corporate Applications (Meeting Rooms)

### TECHNICAL SPECIFICATION

CONTROL: Hard button, IR Remote or Dry Contact Closure (Voltage Free)

I/O PORT: 5 × 5.0mm Screw Type Connector (AC-N, AC-L, Common, Screen Up and Screen Down)  
1x4 port 3.8mm screw type terminal block (Dry contact control)

AC RELAY CURRENT RATING: MAX. Load 240VAC 1.8A

HOUSING: ABS

POWER SOURCE: 220VAC to 240 VAC, 50/60 Hz

ACCESSORIES: IR Remote Controller

GROSS DIMENSION: 100 × 80 × 45 mm (without boxes)

GROSS WEIGHT: 270 g (without boxes)

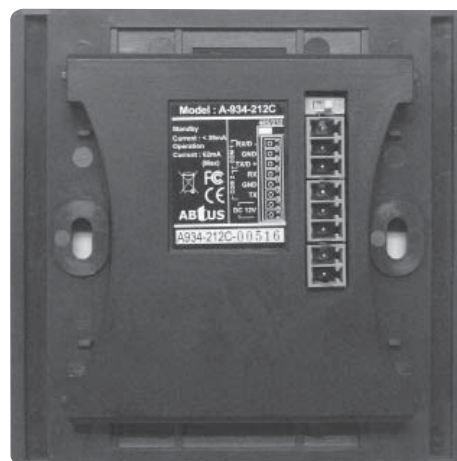
\* Specifications are subject to change without notice.

**ABTUS**



# A934-212C-044

## TOUCH SCREEN CONTROL SYSTEM



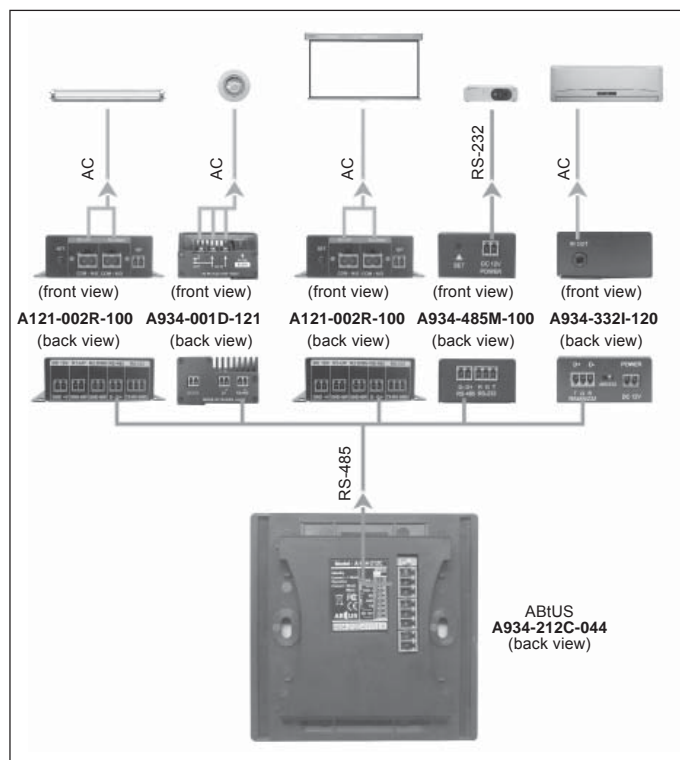
### DESCRIPTION

The ABtUS A934-212C-044 touch control panel uses a standard 4-wire resistive touch panel, which allows up to a total of 32 command codes with complete user programmable software.

User friendly Software which allows customized programming such as macro settings, feedback events, control commands, etc. Another characteristic is the panel button layout and design, it can be easily customized and printed out accordingly with icons or clear text buttons

### FEATURES

- Feature with automatic backlight fade out
- Macro definitions setting can be assign for every single button up to 16 difference order
- Default 3 × 4 matrix of 12 touch buttons
- With 1 × RS-232 or 1 × RS-485 selectable and 1 × RS-232
- Ultra low power consumption



### TYPICAL APPLICATIONS

Any professional control system requiring multiple lighting/dimming or environmental control.

- Schools (Media Classrooms) • Churches • Corporate Applications (Meeting Rooms)
- Home Automation • Home Theaters • Hotels In Room Control

### TECHNICAL SPECIFICATION

INPUT VOLTAGE:	12V-DC, 350mA
BACK LIGHT:	With white LED light guide plate
COMMUNICATION STANDARD:	RS-232 or RS485 (*Selectable) 1 × RS-232 or 1 × RS-485
CONFIGURABLE COM PORT:	(7 or 8 Data Bit and 1 or 2 Stop Bit)
BAUD RATE:	1200 to 38400
PARITY BIT:	Non, Even or Odd
TOTAL NUMBER OF BUTTON:	12
TOTAL NUMBER OF COMMAND SET ALLOW:	32
STANDBY CURRENT:	35mA
OPERATION CURRENT:	65mA
HOUSING:	ABS
ACCESSORIES:	AC-DC Power Adaptor 12V-DC, 500mA 1 × 2 Pin, 2 × 3 Pin Terminal Block
GROSS DIMENSIONS:	185 × 165 × 70 mm
GROSS WEIGHT:	500 g

\* Specifications are subject to change without notice.

# A934-042C-073

## IN ROOM CONTROL PANEL RF REMOTE CONTROLLER

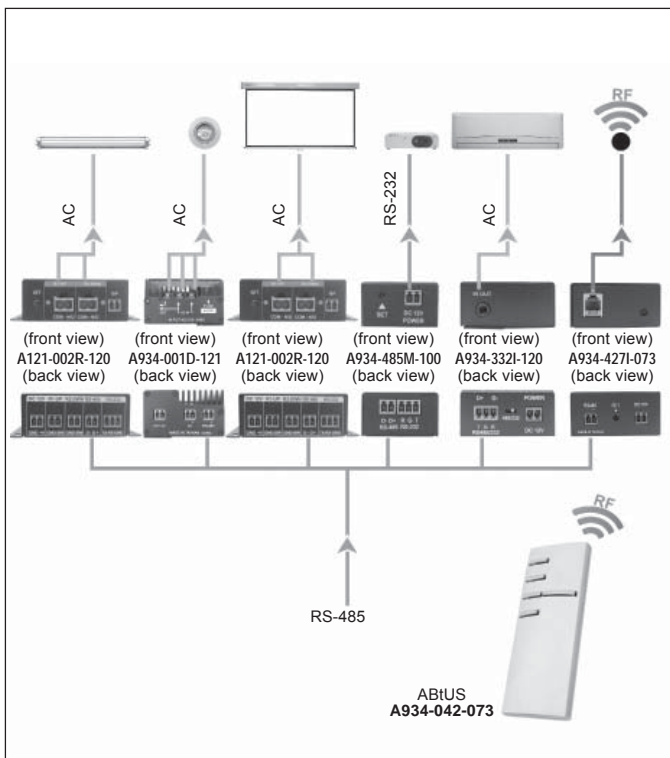


### DESCRIPTION

The ABtUS A934-042-073 is the most simple Remote Controller that works with all RF power control module wirelessly which eliminating all cumbersome issue of the power cabling during integration. It is the most simple and efficient remote controller for all RF in room power control module for any electronic application need.

### FEATURES

- Control lights, dimmer, AV equipment etc wirelessly
- Operate up to 30m
- 2 layers of functions for every single button
- Simple set-up process without the use of any software
- Battery life: 18months



### TECHNICAL SPECIFICATION

POWER SUPPLY:	2 × 1.5V AAA batteries
LED INDICATION:	2 × 4 for bank select and switching indicator
TOTAL NUMBER OF BUTTON:	5
RF FREQUENCY:	433.92 MHz
BATTERY LIFE:	18 months (* Normal usage)
GROSS DIMENSION:	195 × 190 × 79 mm
GROSS WEIGHT:	185 g

### TYPICAL APPLICATIONS

Any professional control system requiring multiple lighting/dimming or environmental control.

- Schools (Media Classrooms) • Churches • Corporate Applications (Meeting Rooms)
- Home Automation • Home Theaters • Hotels In Room Control

\* Specifications are subject to change without notice.

**ABtUS**

# A121-002R-100

## IN ROOM CONTROL SYSTEM 2 PORT POWER CONTROL RELAY MODULE



### DESCRIPTION

The ABtUS A121-002R-100 is a two power relay control module that can be used to avoid all cumbersome issue of the power cabling during integration, it will be able to easily relocation of any traditional walls switcher or RS-485 (Standard J1780 Bus) Control panel to any location as required. It is the simplest and most efficient power controller for any electrical powered devices example lighting or Power ON/OFF control.

Replacement of conventional 1 to 1 control setup or 1 to many controlling as well as grouping are now made possible.

### FEATURES

- Max load capacity of 1000W per module
- With standard RS-485 communication protocol, compatible with any central control for all host (standard J1708 BUS)
- With I/O connectivity for integration with any existing standard wall switch
- With delay timer Off function (delay timing 2 to 128sec)
- User friendly model of operation setup

### TECHNICAL SPECIFICATION

AV VOLTAGE RANGE: AC110 ~ 230V

COM PORT: RS-485

I/O CONNECTIVITY: Dry Contact Control × 01

NUMBER OF ID: 32

DEALY TIMER OFF: 2~128sec

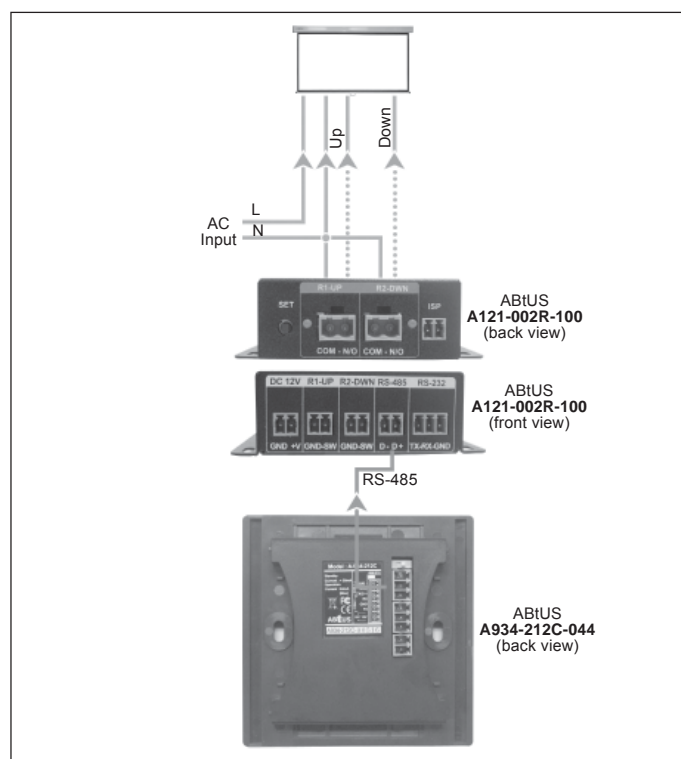
RELAY LOAD RATING: Max 5A @ 220V  
(\*Recommended Max. 10 x 36 Watt Fluorescent Lamp)

POWER ADAPTOR: 12V DC 500MA

HOUSING: Metal enclosure

GROSS DIMENSIONS: 195 × 190 × 80 mm

GROSS WEIGHT: 460 g



### TYPICAL APPLICATIONS

Any professional control system requiring multiple lighting/dimming or environmental control.

- Schools (Media Classrooms) • Churches • Corporate Applications (Meeting Rooms)
- Home Automation • Home Theaters • Hotels In Room Control

\* Specifications are subject to change without notice.

# A934-332I-120

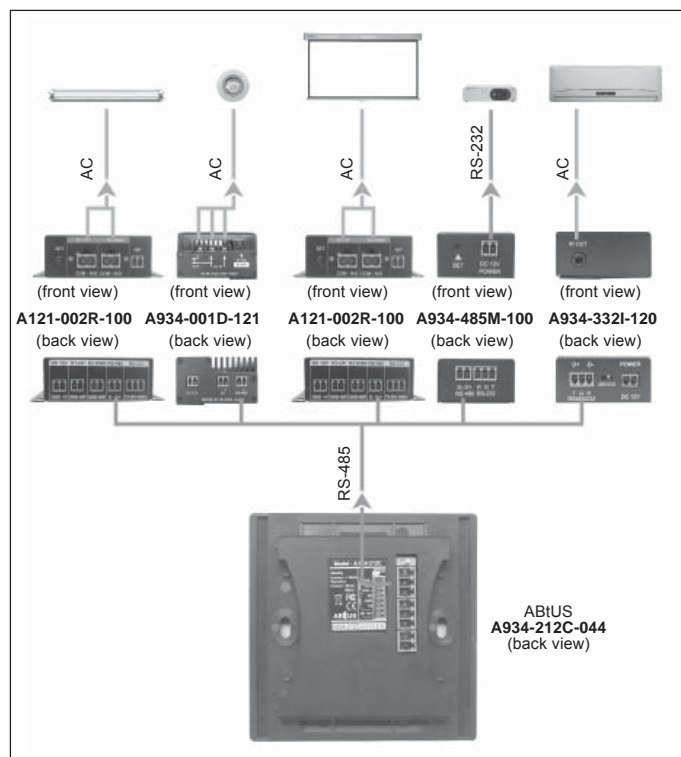
## SMART IR TRANSMITTER (WITH IR LEARNING FUNCTION)



### DESCRIPTION

The ABtUS A934-332I-120 is a self contain Smart IR Transmitter. Apart from its learning function (with a special circuit design that makes IR carrier recognition possible), it also has a useful storage up to 32 IR codes that can be used to avoid all cumbersome issue with handling different remote controllers. It acts as a centralized IR control system, but It is also versatile and can be placed anywhere within the room.

Replacement of conventional 1 to 1 control setup to many or 1 to many controlling as well as grouping are now made possible.



### TYPICAL APPLICATIONS

Any professional control system that is required to control air-con, media players or any equipment that would usually requires an IR remote controller.

- Schools (Media Classrooms) • Churches • Corporate Applications (Meeting Rooms)
- Home Automation • Home Theaters • Hotels In Room Control

### FEATURES

- Powerful IR learning, ability to learn all kinds of IR codes and also simultaneously record it's carrier frequency
- Memory: record up to 32 IR codes in different formats
- Software support is able to clearly identify and analyse different type of IR codes which will then, be stored or copy to another unit

### TECHNICAL SPECIFICATION

LED INDICATION: With LED Indication for all functions

COMMUNICATION STANDARD: RS-485 or RS-232

COM PORT: RS-485 or RS-232 (Selectable)

IR OUT: 1 × 3.5mm Mini Jack

MEMORY: 32 IR Codes

NUMBER OF UNIT ID AVAILABLE: 16 ID

HOUSING: Metal Enclosure

GROSS DIMENSION: 185 × 165 × 70 mm

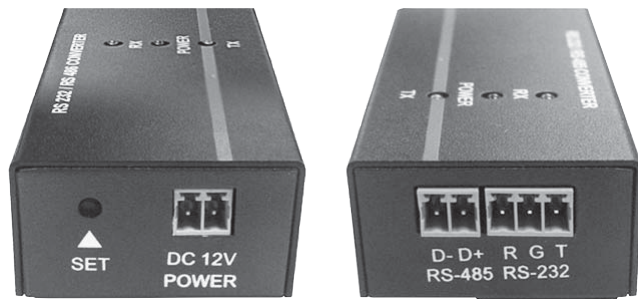
GROSS WEIGHT: 380 g

\* Specifications are subject to change without notice.

**ABtUS**

# A934-485M-100 (RS-232-RS485 CONVERTER)

## TWO WAY RS-232/RS485 CONVERTOR WITH ID



### DESCRIPTION

The ABtUS A934-485M-100 is a RS-232 / RS485 two way convertor, It is the most simple device for 232 to 485 or 485 to 232 conversion.

With its small size design, long transmitting distance and stability characteristics, it can be installed in almost any application and location. Example: Car-parking system, Remote control system, Lighting Control system and even industrial applications.

### FEATURES

- Require only the use of RS232 the RXD, TXD, GND signal line
- Automatically converted to RS485 with zero delay
- RS232 communications distance can be extended up to 120m (\*using a twisted-pair shielded cable)
- With RXD, TXD, Power LED Indicator
- Support multi-point communications

### TECHNICAL SPECIFICATION

INPUT VOLTAGE: 12V-DC, 350mA

LED INDICATION: With RXD, TXD and Power LED indicator

COMMUNICATION STANDARD: RS-232 to RS-485 or RS-485 to RS-232

COM PORT: 1 × RS-232 and 1 × RS-485

COMMUNICATION: RS-232/RS-485 bi-directional data exchange transmission

COMMUNICATION DISTANCE: 120m (\*using a twisted-pair shielded cable)

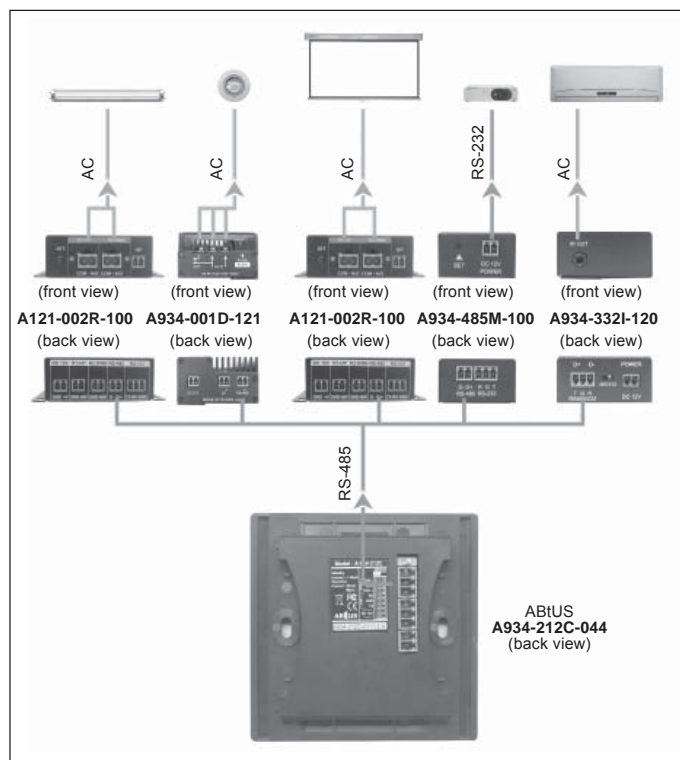
OPERATION CURRENT: 65mA

HOUSING: Metal

ACCESSORIES: AC-DC Power Adaptor 12V-DC, 500mA  
2 × 2 Pin terminal block  
1 × 3 Pin terminal block

GROSS DIMENSIONS: 185 × 165 × 75 mm

GROSS WEIGHT: 280 g



### TYPICAL APPLICATIONS

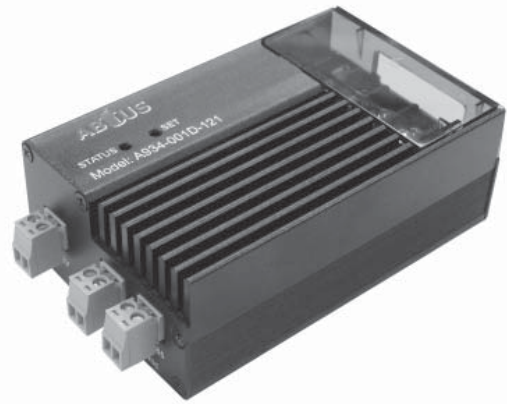
Any professional control system requiring multiple lighting/dimming or environmental control.

- Schools (Media Classrooms) • Churches • Corporate Applications (Meeting Rooms)
- Home Automation • Home Theaters • Hotels In Room Control

\* Specifications are subject to change without notice.

# A934-001D-121

## SINGLE PORT POWER/DIMMER CONTROL MODULE



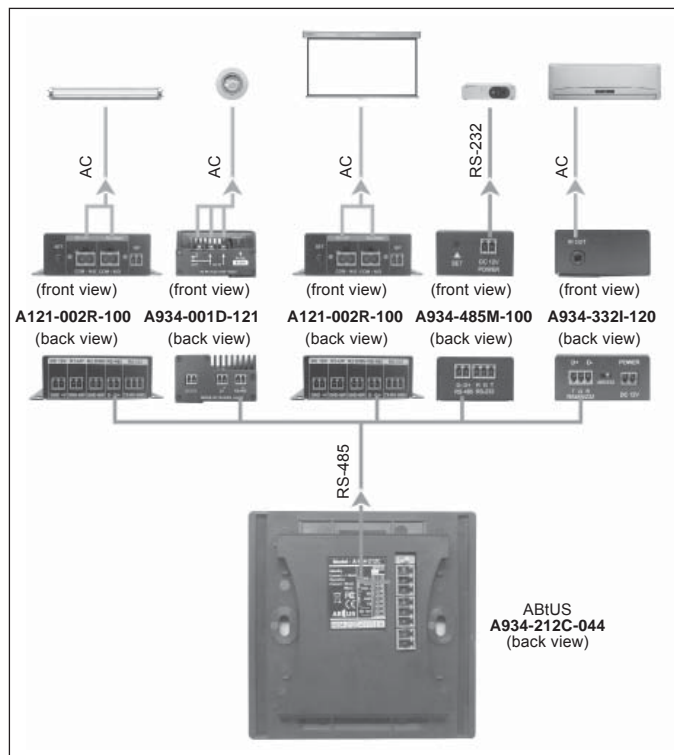
### DESCRIPTION

The ABtUS A934-001D-121 is a single power/dimmer control module that can be used to avoid all cumbersome issue of the power cabling during integration. It is versatile and can be placed anywhere within the room and is a simple and efficient Dimmer control for room lighting control.

Replacement of conventional 1 to 1 control setup to many or 1 to many controlling as well as grouping are now made possible.

### FEATURES

- Max load capacity of 600W per module
- With standard RS-485 communication protocol, compatible with any central control for all host (standard J1708 BUS)
- With I/O connectivity for integration with any existing standard wall switch
- Dimmer Ramping time (2 to 128sec)



### TYPICAL APPLICATIONS

Any professional control system requiring multiple lighting/dimming or environmental control.

- Schools (Media Classrooms) • Churches • Corporate Applications (Meeting Rooms)
- Home Automation • Home Theaters • Hotels In Room Control

### TECHNICAL SPECIFICATION

AC VOLTAGE RANGE: AC 110 ~ 240V

COM PORT: RS-485

I/O CONNECTIVITY: Dry Contact Control x 01

NUMBER OF ID: 32

DELAY TIME OFF: 2 ~ 128 sec

RELAY LOAD RATING: Max 16A@240V  
(\*Recommended Max 8 x 40 Watt Down Light)

POWER SUPPLY: 12 V DC 500mA

HOUSING: Aluminum Enclosure

GROSS DIMENSION: 185 × 163 × 67 mm

GROSS WEIGHT: 390 g

\* Specifications are subject to change without notice.

**ABtUS**

# QUICK INSTALLATION KITS

## ROOM MEDIA PRO



### DESCRIPTION

This slick touch panel system provides the user with the convenience of having a one central control for almost any electronic devices in a room. The two COM ports on the new touch panel can control virtually any serial device using standard RS 232 or RS485 communication. By pairing this touch panel with the extensive range of control modules from ABtus, users would be able to transform and give any room a stylish and futuristic look.

Equipped with popular user customisable screen, and it's ability to allow up to 32 command codes with user programmable software, efficient low power consumption and it's auto backlight fadeout function, this effective touch system provides customized solution for all individuals. The A934-212C-044 comes in both black and white that will blend well with the interior design of any room.



### TYPICAL APPLICATIONS

Stylish, convenient and able to blend perfectly into any room design. Ideal for small conference rooms, museums/small exhibition halls, hotels or even home automation.



### FEATURES

- Completely user customizable
- One box solution
- Ultra low power consumption
- Uncomplicated and extremely easy to use

### TECHNICAL SPECIFICATION

1. Touch Screen Control Panel
  - A934-212C-044 (2 units)
    - (First unit - for projector and screen control)
    - (Second unit - for temperature / lighting / dimmer control)
2. Screen Control Module
  - A121-002R-120 Two Port Power Control Relay Control Module
3. Converter
  - A934-485M-100
    - (Two Way RS-232/RS-485 Converter with ID )
4. Air-Con Control
  - A934-332I-120 IR Module
5. Light Control Module
  - A121-002R-120 Two Port Power Control Relay Control Module
6. Light Dimmer Module
  - A934-001D-121 Dimmer Control Module

\* Specifications are subject to change without notice.

## QUICK INSTALLATION KITS

### ROOM MEDIA 1200



#### DESCRIPTION

This slick touch panel system provides the user with the convenience of having a one central control for almost any electronic devices in a room. The two COM ports on the new touch panel can control virtually any serial device using standard RS 232 or RS485 communication. By pairing this touch panel with the extensive range of control modules from Abtus, users would be able to transform and give any room a stylish and futuristic look.

Equipped with popular user customisable screen, and it's ability to allow up to 32 command codes with user programmable software, efficient low power consumption and it's auto backlight fadeout function, this effective touch system provides customized solution for all individuals. The A934-212C-044 comes in both black and white that will blend well with the interior design of any room.



#### TYPICAL APPLICATIONS

Stylish, convenient and able to blend perfectly into any room design. A classy one-touch solution awaits. Ideal for small conference rooms, museums/small exhibition halls, hotels or even home automation.



#### FEATURES

- Completely user customizable
- One box solution
- Ultra low power consumption
- Uncomplicated and extremely easy to use

#### TECHNICAL SPECIFICATION

1. Touch Screen Control Panel
  - A934-212C-044

Stylish Two Com Port Touch Control Panel  
(for projector control and input switching)
2. Multimedia Switcher
  - AVS-1200S

RS-232 Controllable

\* Specifications are subject to change without notice.

**ABTUS**



# CAT-GA11T/A

## 1:1 VGA/AUDIO OVER CAT-5 TRANSMITTER (UP TO 150M)



### DESCRIPTION

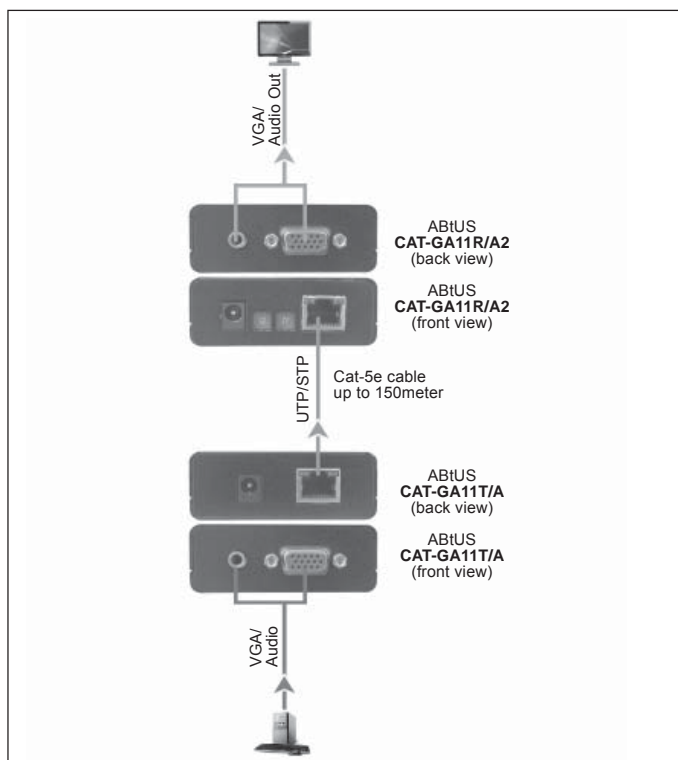
The ABtUS CAT-GA11T/A extends computer video and PC audio signals up to 150 meters over CAT5e (UTP/STP) cable. CAT-GA11T/A transmits to the CAT-GA11R/A receiver with no loss of signal quality. AV professionals enjoy more flexibility and lower cost of CAT5 UTP cables for their AV installations.

### FEATURES

- Extends VGA signal/Mono Audio over CAT5 cabling
- Receives computer video and Mono Audio up to 150 meters over CAT 5e UTP, CAT 5e STP or CAT 6 UTP cables
- Works well with monitors, projectors, HDTVs and flat panel displays
- Supports resolutions from VGA (640 × 480) to SXGA (1280 × 1024)

### TECHNICAL SPECIFICATION

INPUT:	VGA / PC Audio
OUTPUT:	CAT-5 (Twisted Pair)
VGA CONNECTOR:	1 × Female 15-pin HD Connector
RJ-45 CONNECTOR:	1
MAX RESOLUTION:	1280 × 1024
POWER ADAPTER (MIN.):	12V-DC, 500mA
HOUSING:	Metal
ACCESSORIES:	AC-DC Power Adaptor 12V-DC, 500mA
GROSS DIMENSION:	198 × 190 × 80 mm
GROSS WEIGHT:	410 g



### TYPICAL APPLICATIONS

ABtUS Video/Audio extender products are ideal for digital signage, classrooms, multipurpose halls, remote monitoring, workstation environments, data centers, retail show rooms, hotel and training facilities applications.

\* Specifications are subject to change without notice.

# CAT-GA14MT/A

1:4 VGA/AUDIO OVER CAT-5 TRANSMITTER WITH MONITOR OUTPUT  
(UP TO 150M)



## DESCRIPTION

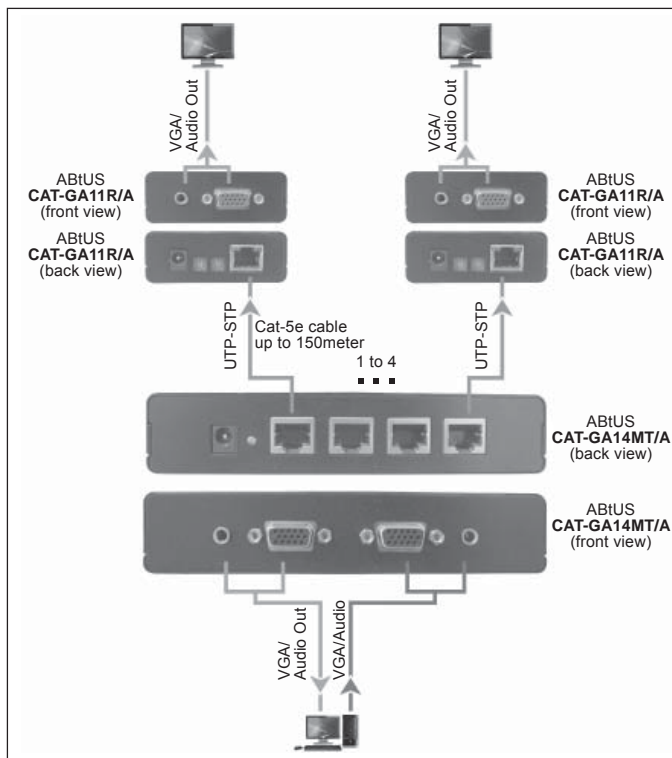
The ABtUS CAT-GA14MT/A extends computer video and PC audio signals into 4 identical outputs and transmits up to 150 meters over CAT 5e (UTP/STP) cable. The CAT-GA14MT/A transmits to ABtUS CAT-GA series receivers with no loss of signal quality. AV professionals enjoy more flexibility and lower cost of CAT5 UTP cables for their AV installations.

## FEATURES

- Extends VGA signal/Mono Audio over CAT5 cable
- Receives computer video and Mono Audio up to 150 meters over CAT 5e UTP, CAT 5e STP or CAT 6 UTP cables
- With VGA/mono Audio Monitor output
- Supports resolutions from VGA (640 × 480) to SXGA (1280 × 1024)
- Connects to multiple video screen from one Input source
- Works well with monitors, projectors, HDTV and flat panel displays

## TECHNICAL SPECIFICATION

INPUT:	VGA / PC Audio
OUTPUT:	1 × Local Monitor with Audio
VGA INPUT CONNECTOR:	1 × Female 15-pin HD Connector
MONITOR OUT:	1
RJ-45 CONNECTOR:	4
MAX RESOLUTION:	1280 × 1024
POWER ADAPTER (MIN.):	12V-DC, 500mA
HOUSING:	Metal
ACCESSORIES:	AC-DC Power Adaptor 12V-DC, 500mA
GROSS DIMENSION:	270 × 185 × 78 mm
GROSS WEIGHT:	600 g



## TYPICAL APPLICATIONS

ABtUS Video/Audio extender products are ideal for digital signage, classrooms, multipurpose halls, remote monitoring, workstation environments, data centers, retail show rooms, hotel and training facilities applications.

\* Specifications are subject to change without notice.

**ABtUS**

# CAT-GA11T/A2

## 1:1 VGA/AUDIO OVER CAT-5 TRANSMITTER (UP TO 200M)



### DESCRIPTION

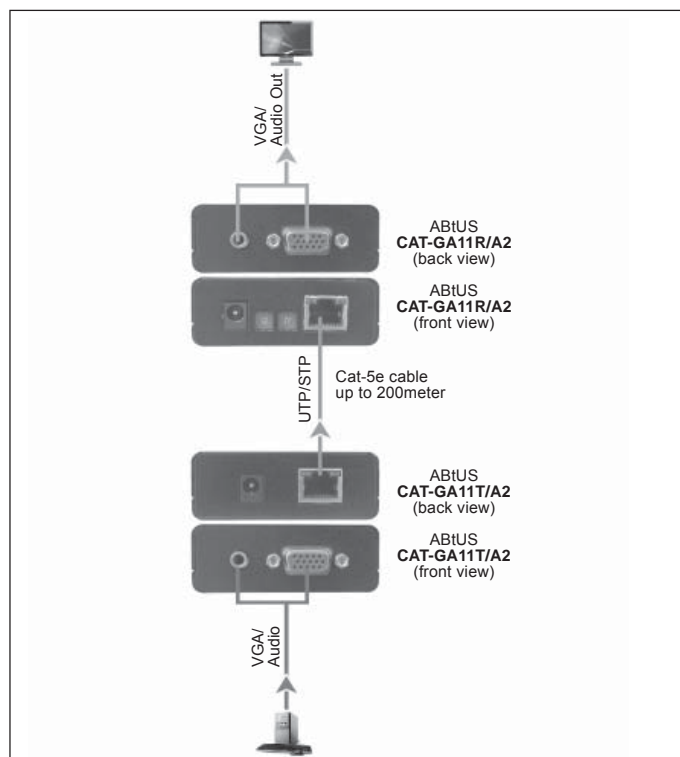
The ABtUS CAT-GA11T/A2 extends computer video and PC audio signals up to 150 meters over CAT5e (UTP/STP) cable. CAT-GA11T/A2 transmits to the CAT-GA11R/A2 receiver with no loss of signal quality. AV professionals enjoy more flexibility and lower cost of CAT5 UTP cables for their AV installations.

### FEATURES

- Extends VGA signal/Mono Audio over CAT-5 cabling
- Receives computer video and Mono Audio up to 200 meters over CAT 5e UTP, CAT 5e STP or CAT 6 UTP cables
- Works well with monitors, projectors, HDTVs and flat panel displays
- Supports resolutions from VGA (640 × 480) to UXGA (1600 × 1200)

### TECHNICAL SPECIFICATION

INPUT:	VGA / PC Audio
OUTPUT:	CAT-5 (Twisted Pair)
VGA CONNECTOR:	1 × Female 15-pin HD Connector
RJ-45 CONNECTOR:	1
MAX RESOLUTION:	1600 × 1200
POWER ADAPTER (MIN.):	12V-DC, 500mA
HOUSING:	Metal
ACCESSORIES:	AC-DC Power Adaptor 12V-DC, 500mA
GROSS DIMENSION:	198 × 190 × 80 mm
GROSS WEIGHT:	410 g



### TYPICAL APPLICATIONS

ABtUS Video/Audio extender products are ideal for digital signage, classrooms, multipurpose halls, remote monitoring, workstation environments, data centers, retail show rooms, hotel and training facilities applications.

\* Specifications are subject to change without notice.

# CAT-GA14MT/A2

1:4 VGA/AUDIO OVER CAT-5 TRANSMITTER WITH MONITOR OUTPUT  
(UP TO 200M)



## DESCRIPTION

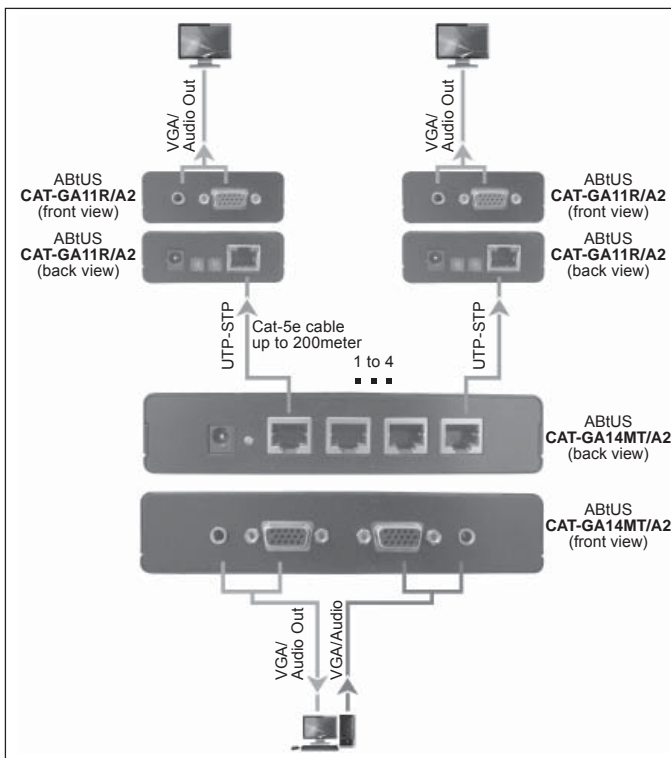
The ABtUS CAT-GA14MT/A2 extends computer video and PC audio signals into 4 identical outputs and transmits up to 150 meters over CAT 5e (UTP/STP) cable. The CAT-GA14MT/A2 transmits to ABtUS CAT-GA series receivers with no loss of signal quality. AV professionals enjoy more flexibility and lower cost of CAT5 UTP cables for their AV installations.

## FEATURES

- Extends VGA signal/Mono Audio over CAT-5 cable
- Receives computer video and Mono Audio up to 200 meters over CAT 5e UTP, CAT 5e STP or CAT 6 UTP cables
- With VGA/mono Audio Monitor output
- Supports resolutions from VGA (640 × 480) to UXGA (1600 × 1200)
- Connects to multiple video screen from one Input source
- Works well with monitors, projectors, HDTV and flat panel displays

## TECHNICAL SPECIFICATION

INPUT:	VGA / PC Audio
OUTPUT:	1 × Local Monitor with Audio
VGA INPUT CONNECTOR:	1 × Female 15-pin HD Connector
MONITOR OUT:	1
RJ-45 CONNECTOR:	4
MAX RESOLUTION:	1600 × 1200
POWER ADAPTER (MIN.):	12V-DC, 500mA
HOUSING:	Metal
ACCESSORIES:	AC-DC Power Adaptor 12V-DC, 500mA
GROSS DIMENSION:	270 × 185 × 78 mm
GROSS WEIGHT:	600 g



## TYPICAL APPLICATIONS

ABtUS Video/Audio extender products are ideal for digital signage, classrooms, multipurpose halls, remote monitoring, workstation environments, data centers, retail show rooms, hotel and training facilities applications.

\* Specifications are subject to change without notice.

**ABtUS**

# CAT-GA11R/A2

## 1:1 VGA/AUDIO OVER CAT-5 RECEIVER (UP TO 200M)

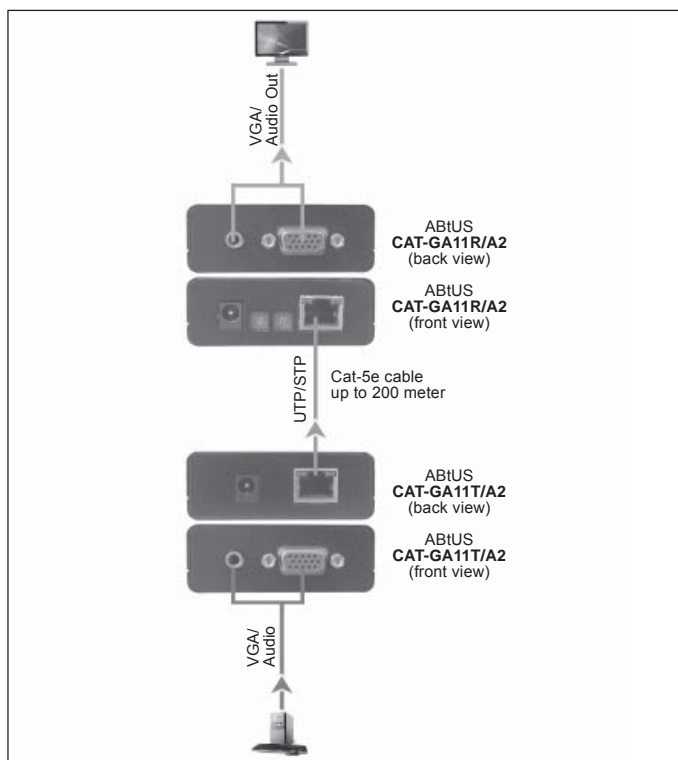


### DESCRIPTION

The ABtUS CAT-GA Series extends computer video and PC audio signals up to 150 meters over CAT 5e (UTP/STP) cables to the CAT-GA11R/A2 receiver with no loss of signal quality. AV professionals enjoy more flexibility and lower cost of CAT 5e UTP/STP cables for their AV installations.

### FEATURES

- Extends VGA signal/Mono Audio over CAT-5 cable
- Receives computer video and Mono Audio up to 200 meters over CAT 5e UTP, CAT 5e STP or CAT 6 UTP cables
- Works well with monitors, projectors, HDTV and flat panel displays
- Supports resolutions from VGA (640 × 480) to SXGA (1600 × 1200)
- Variable Level and EQ controls



### TYPICAL APPLICATIONS

ABtUS Video/Audio extender products are ideal for digital signage, classrooms, multipurpose halls, remote monitoring, workstation environments, data centers, retail show rooms, hotel and training facilities applications.

### TECHNICAL SPECIFICATION

INPUT:	CAT-5
OUTPUT:	Monitor / PC Audio
ADJUSTMENT:	Level / EQ
MONITOR CONNECTOR:	1
RJ-45 CONNECTOR:	1
ADJUSTMENT:	2
MAX RESOLUTION:	1600 x 1200
POWER ADAPTER (MIN.):	12V-DC, 500mA
HOUSING:	Metal
ACCESSORIES:	AC-DC Power Adaptor 12V-DC, 500mA
GROSS DIMENSION:	195 × 190 × 79 mm
GROSS WEIGHT:	420 g

\* Specifications are subject to change without notice.

# CAT-GA11MT/AP3

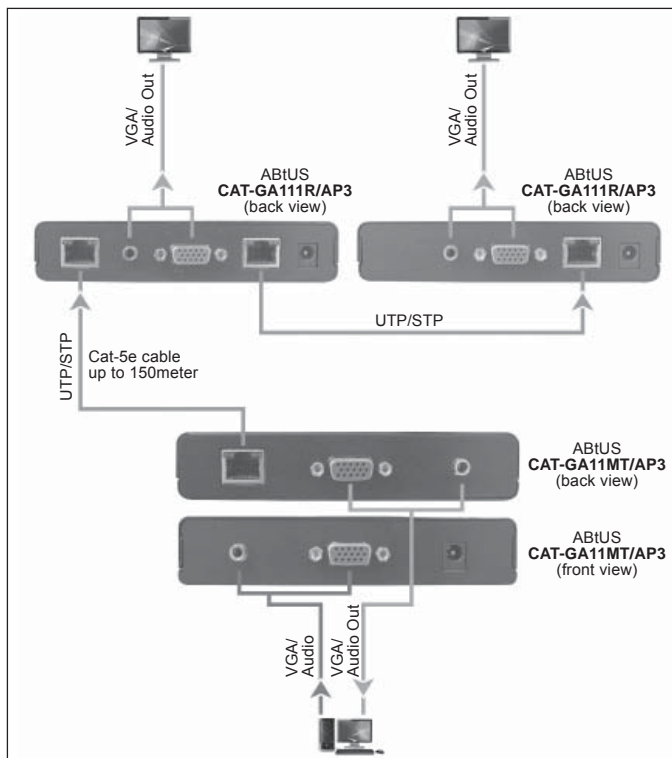
1:1 VGA/STEREO AUDIO OVER CAT-5 TRANSMITTER  
WITH LOCAL MONITOR OUTPUT (UP TO 300M)



## DESCRIPTION

The ABtUS CAT5-GA/AP3 Series is a CAT-5 extender that accepts long distance transmissions of RGB video with stereo audio on any CAT 5e UTP, 5e STP or CAT 6 twisted pair up to 300 meters, end to end (up to 500 meters with receiver loop-out).

Its receiver has built-in equalization and gain control to adjust brightness as well as an enhanced RGB Skew Compensation adjustment. This improves the VGA signal going through the CAT5 cable with changes to the R, G & B signals adjusted individually. Signals are delayed as required for images to be overlaid properly. It also comes with "memorized & lock" function when properly adjusted.



## TYPICAL APPLICATIONS

ABtUS Video/Audio extender products are ideal for digital signage, classrooms, multipurpose halls, remote monitoring, workstation environments, data centers, retail show rooms, hotel and training facilities applications.

## FEATURES

- Extends VGA signal/Stereo Audio over CAT5 cables
- Receives computer video and Stereo Audio up to 1000 feet (305 meters) over CAT 5e UTP, CAT 5e STP or CAT 6 UTP cables
- Works well with monitors, projectors, HDTV and flat panel displays
- With VGA/Stereo Audio Monitor output
- Supports resolutions from VGA (640 × 480) to WUXGA (1920 × 1200)

## TECHNICAL SPECIFICATION

VGA/AUDIO IN:	1 (D-Sub 15 pin/3.5mm mini Jack)
VGA/AUDIO MONITOR OUT:	1 (D-Sub 15 pin/3.5mm mini Jack)
RJ-45 CONNECTOR:	1
MAX RESOLUTION:	1920 × 1200
POWER ADAPTER (MIN.):	12V-DC, 1A
HOUSING:	Metal
ACCESSORIES:	AC-DC Power Adaptor 12V-DC, 1A
GROSS DIMENSION:	270 × 184 × 75 mm
GROSS WEIGHT:	610 g

\* Specifications are subject to change without notice.

**ABtUS**

# CAT-GA111R/AP3

1:1 VGA/STEREO AUDIO OVER CAT-5 RECEIVER WITH LOOP OUT AND SKEW CONTROL (UP TO 300M)

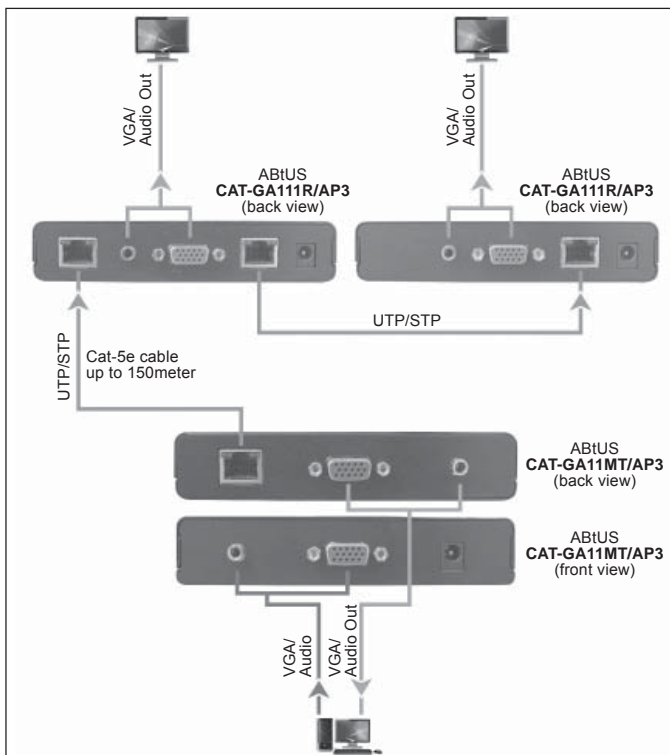


## DESCRIPTION

The ABtUS CAT-GA111R/AP3 is a receiver that accepts signals resolution up to 1920 x 1200. It comes with a built-in Enhanced Skew Compensation as well as Level and EQ Adjustments, giving the receiver the ability to enrich the brightness and sharpness of the video image. With the enhanced feature of a Loop Out connector, the CAT-GA111R/AP3 is ideal for daisy chain connections. The built-in RGB Skew Compensation adjustment improves the VGA signal going through the CAT5 cable with changes to the R, G & B signals adjusted individually, signals are delayed as required for images to be overlaid properly. It also has "memorized & lock" function when adjusted.

## FEATURES

- Output: RGBHV video on female 15-pin HD connector, stereo audio on 3.5mm mini-audio jack and One RJ45
- Receives computer video and Stereo Audio up to 1000 feet (305 meters) over CAT 5e UTP, CAT 5e STP or CAT 6 UTP cables
- Works well with monitors, projectors, HDTV and flat panel displays
- Supports resolutions from VGA (640 x 480) to WUXGA (1920 x 1200)
- Loop Out (for daisy chain)
- Variable Level and EQ controls
- Digital Skew Compensation Control allows a fine adjustment for the delay in each color



## TYPICAL APPLICATIONS

ABtUS Video/Audio extender products are ideal for digital signage, classrooms, multipurpose halls, remote monitoring, workstation environments, data centers, retail show rooms, hotel and training facilities applications.

## TECHNICAL SPECIFICATION

VGA/AUDIO OUT:	1 (D-Sub 15 pin/3.5mm mini Jack)
RJ-45 CONNECTOR:	2 (*1 x Input & 1 x Loop Out)
ADJUSTMENT:	3 (*Skew Compensation)
ADJUSTMENT:	1 each (*Level/EQ)
MAX RESOLUTION:	1920 x 1200
POWER ADAPTER:	12V-DC, 1A
HOUSING:	Metal
ACCESSORIES:	AC-DC Power Adaptor 12V-DC, 1A
GROSS DIMENSION:	270 x 185 x 77 mm
GROSS WEIGHT:	610 g

\* Specifications are subject to change without notice.

# CAT-GA11R/AP3

1:1 VGA/STEREO AUDIO OVER CAT-5 RECEIVER WITH SKEW CONTROL  
(UP TO 300M)



## DESCRIPTION

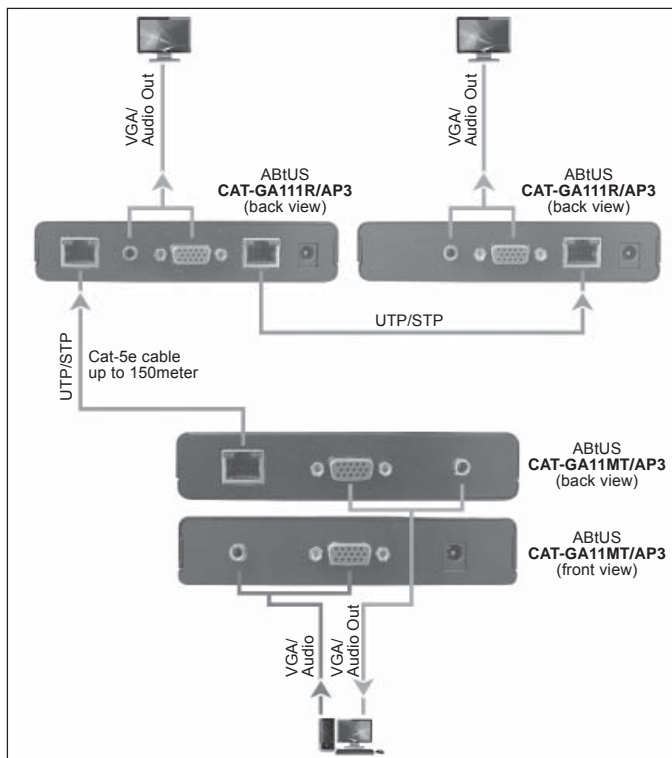
The ABtUS CAT-GA11R/AP3, a receiver that accepts signals resolution up to 1920 x 1200 which comes with a built-in Enhanced Skew Compensation as well as Level and EQ Adjustments, giving the receiver the ability to enrich the brightness and sharpness of the video image. The built-in RGB Skew Compensation adjustment improves the VGA signal going through the CAT5 cable with changes to the R, G & B signals adjusted individually, signals are delayed as required for images to be overlaid properly. It also has "memorized & lock" function when adjusted.

## FEATURES

- Output: RGBHV video on female 15-pin HD connector, stereo audio on 3.5mm mini-audio jack
- Receives computer video and Stereo Audio up to 1000 feet (305 meters) over CAT 5e UTP, CAT 5e STP or CAT 6 UTP cables
- Works well with monitors, projectors, HDTV and flat panel displays
- Supports resolutions from VGA (640 x 480) to WUXGA (1920 x 1200)
- Variable Level and EQ controls
- Digital Skew Compensation Control allows a fine adjustment for the delay in each color

## TECHNICAL SPECIFICATION

VGA/AUDIO OUT:	1 (D-Sub 15 pin/3.5mm mini Jack)
RJ-45 CONNECTOR:	1 (*1 x Input)
ADJUSTMENT:	3 (*Skew Compensation)
ADJUSTMENT:	1 each (*Level/EQ)
MAX RESOLUTION:	1920 x 1200
POWER ADAPTER:	12V-DC, 1A
HOUSING:	Metal
ACCESSORIES:	AC-DC Power Adaptor 12V-DC, 1A
GROSS DIMENSION:	270 x 185 x 77 mm
GROSS WEIGHT:	635 g



## TYPICAL APPLICATIONS

ABtUS Video/Audio extender products are ideal for digital signage, classrooms, multipurpose halls, remote monitoring, workstation environments, data centers, retail show rooms, hotel and training facilities applications.

\* Specifications are subject to change without notice.

**ABtUS**



# CAT-CV11T/A

1:1 COMPOSITE VIDEO/STEREO AUDIO OVER CAT-5 TRANSMITTER  
( UP TO 605M)

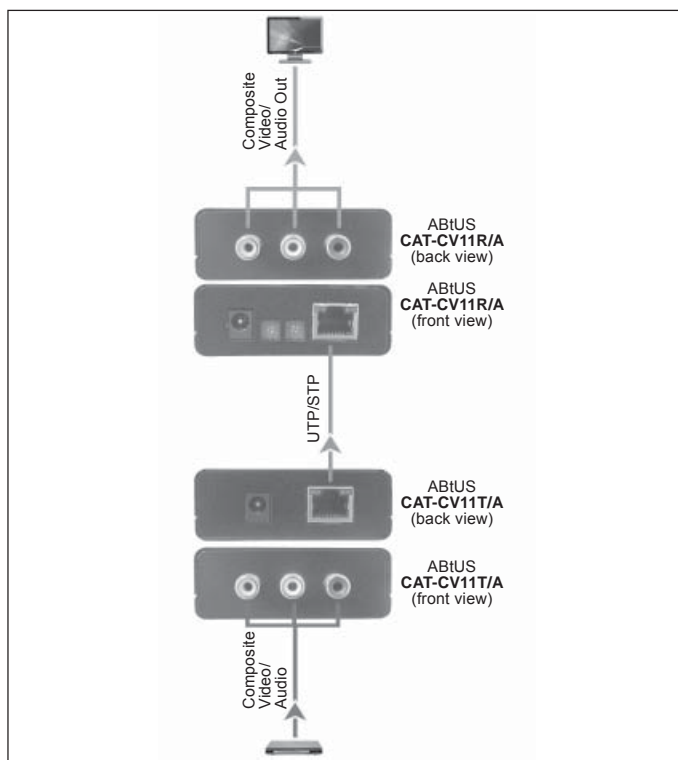


## DESCRIPTION

The ABtUS CAT-CV11T/A extends composite video and audio signals and transmits up to 600 meters over CAT 5e (UTP/STP) cable. CAT-CV11T/A transmits to the CAT-CV11R/A receiver with no loss of signal quality. AV professionals enjoy more flexibility and lower cost of CAT5 UTP cables for their AV installations.

## FEATURES

- Extends Composite Video/Stereo Audio over CAT5 cable
- Receives Composite Video/Stereo Audio up to 605 meters over CAT 5e UTP, CAT 5e STP or CAT 6 UTP cables
- Works well with monitors, projectors, HDTV and flat panel displays
- Variable Level and EQ controls
- Resolution support 728 × 578@25Hz



## TYPICAL APPLICATIONS

ABtUS Video/Audio extender products are ideal for digital signage, classrooms, multipurpose halls, remote monitoring, workstation environments, data centers, retail show rooms, hotel and training facilities applications.

## TECHNICAL SPECIFICATION

AV CONNECTOR 3 × RCA:	1
RJ-45 CONNECTOR:	1
MAX RESOLUTION:	728 × 578
POWER ADAPTER:	12V-DC, 500mA
HOUSING:	Metal
ACCESSORIES:	AC-DC Power Adaptor 12V-DC, 500mA
GROSS DIMENSION:	196 × 187 × 79 mm
GROSS WEIGHT:	600 g

\* Specifications are subject to change without notice.

# CAT-CV111R/A

1:1 COMPOSITE VIDEO/STEREO AUDIO OVER CAT-5 RECEIVER WITH LOOP OUT  
(UP TO 605M)

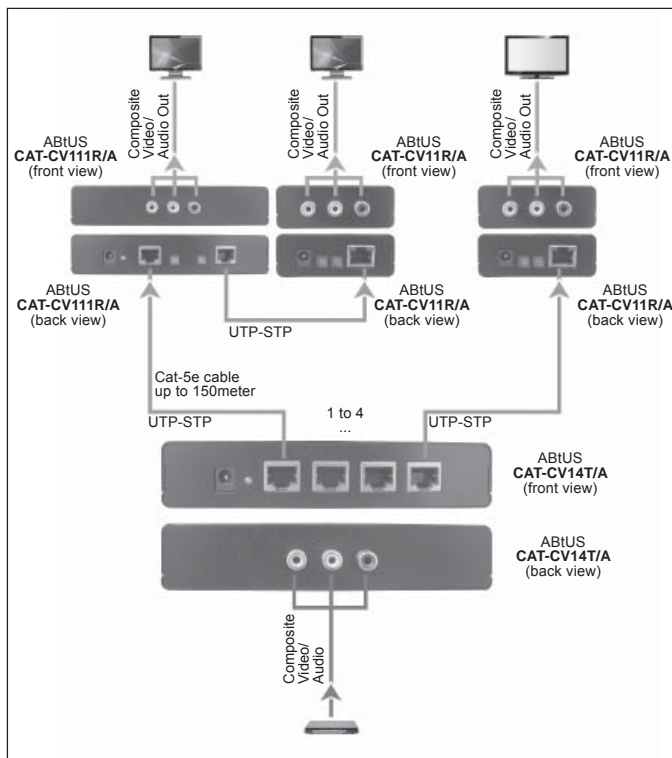


## DESCRIPTION

The ABtUS CAT-CV111R/A, a receiver that accepts signals resolution up to 728x578 which comes with a built-in Level and EQ Adjustments, giving the receiver the ability to enrich the brightness and sharpness of the video image. With the enhanced feature of a Loop Out, the CAT-CV111R/A is ideal for daisy chain connections.

## FEATURES

- Extends Composite Video/Stereo Audio over CAT5 cable
- Receives Composite Video/Stereo Audio up to 605 meters over CAT 5e UTP, CAT 5e STP or CAT 6 UTP cable
- Works well with monitors, projectors, HDTV and flat panel displays
- Variable level and EQ controls
- Loop Out (for daisy chain)
- Resolution support 728 × 578@25Hz



## TYPICAL APPLICATIONS

ABtUS Video/Audio extender products are ideal for digital signage, classrooms, multipurpose halls, remote monitoring, workstation environments, data centers, retail show rooms, hotel and training facilities applications.

## TECHNICAL SPECIFICATION

AV CONNECTOR 3 × RCA:	1
RJ-45 CONNECTOR:	2 (*1 × Input and 1 × Loop Out)
ADJUSTMENT (*Level/EQ):	1 each
MAX RESOLUTION:	728 × 578
POWER ADAPTER:	12V-DC, 500mA
HOUSING:	Metal
ACCESSORIES:	AC-DC Power Adaptor 12V-DC, 500mA
GROSS DIMENSION:	262 × 184 × 79 mm
GROSS WEIGHT:	760 g

\* Specifications are subject to change without notice.

**ABtUS**

# CAT-CV14T/A

1:4 COMPOSITE VIDEO/STEREO AUDIO OVER CAT-5 TRANSMITTER (UP TO 605M)

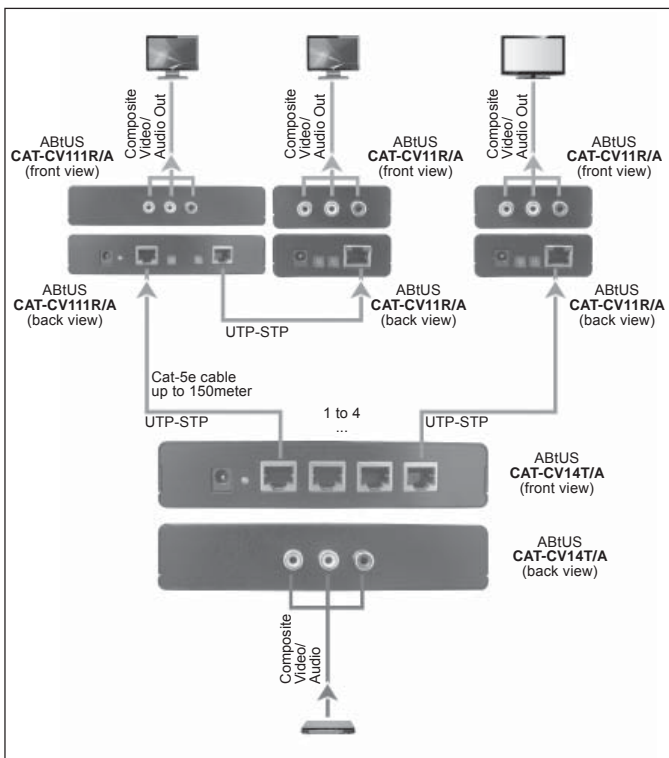


## DESCRIPTION

The ABtUS CAT-CV14T/A extends composite video and audio signals into 4 identical outputs and transmits up to 600 meters over CAT 5e (UTP/STP) cable. The CAT-CV14T/A transmits to ABtUS CAT-CV series of receivers with no loss of signal quality. AV professionals enjoy more flexibility and lower cost of CAT5 UTP cables for their AV installations.

## FEATURES

- Extends Composite Video/Stereo Audio over CAT5 cable
- Receives Composite Video/Stereo Audio up to 600 meters over CAT 5e UTP, CAT 5e STP or CAT 6 UTP cable
- Works well with monitors, projectors, HDTV and flat panel displays
- Connects to multiple video screens from one input source
- Resolution support 728 × 578@25Hz



## TYPICAL APPLICATIONS

ABtUS Video/Audio extender products are ideal for digital signage, classrooms, multipurpose halls, remote monitoring, workstation environments, data centers, retail show rooms, hotel and training facilities applications.

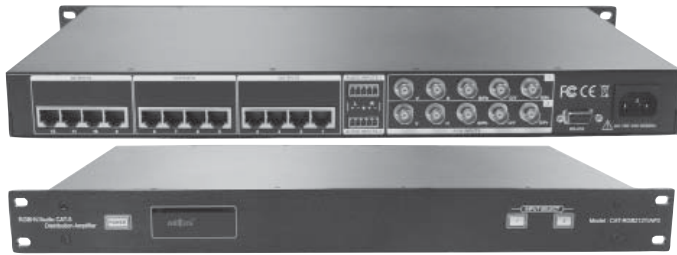
## TECHNICAL SPECIFICATION

AV CONNECTOR 3 X RCA:	1
RJ-45 CONNECTOR:	4
MAX RESOLUTION:	728 × 578
POWER ADAPTER:	12V-DC, 500mA
HOUSING:	Metal
ACCESSORIES:	AC-DC Power Adaptor 12V-DC, 500mA
GROSS DIMENSION:	267 × 183 × 76 mm
GROSS WEIGHT:	740 g

\* Specifications are subject to change without notice.

# CAT-RGB212T/AP3

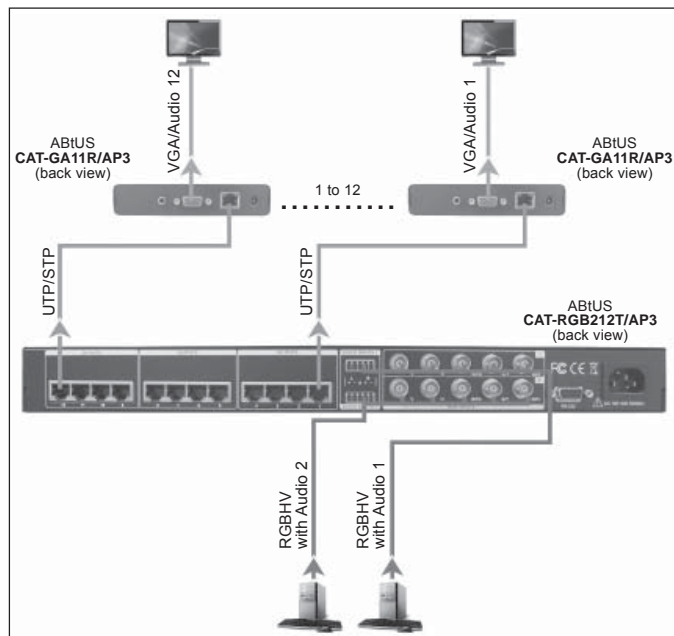
## 2:1X12 RGB/STEREO AUDIO OVER CAT-5 TRANSMITTER (UP TO 300M)



### DESCRIPTION

The CAT-RGB212T/AP3 is a Distribution Amplifier Extender System that allows either 1 of the 2 video signal/stereo audio to be sent to multiple display (\*up to 12 displays) over long distances of Cat-5 cable (\*300meter point-to-point). It supports resolutions from VGA (640x480) to WUXGA (1920x1200). The receiver has a built-in equalization and gain control to adjust the focus and brightness as well as an enhanced RGB Skew Compensation adjustment. This improves the VGA signal going through the CAT5 cable with changes to the R, G & B signals adjusted individually, signals are delayed as required for images to be overlaid properly. It also come with a "memorized & lock" function features when properly adjusted.

Matching Receiver: CAT-GA111R/AP3 or CAT-GA11R/AP3



### TYPICAL APPLICATIONS

ABtUS Video/Audio extender products are ideal for presentations, classrooms, multipurpose halls, remote monitoring, workstation environments, data centers, retail show rooms, hotel and training facilities applications.

### FEATURES

- Extends VGA /stereo Audio signal over CAT5
- Receives computer video and stereo audio up to 1000 feet (300 meters) over CAT 5e UTP, CAT 5e STP or CAT 6 UTP cables
- Works well with monitors, projectors, HDTV and flat panels displays
- Connects to multiple video screen from either one of the two Input sources
- Supports resolutions from VGA (640 × 480) to WUXGA (1920 × 1200)

### TECHNICAL SPECIFICATION

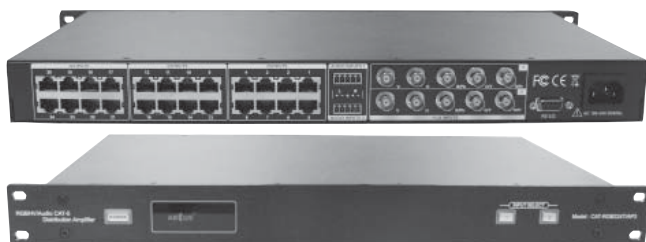
INPUT:	2 × RGB-HV (5 × BNC connector) 2 × 3.5mm block connector for balance/ un-balance audio
OUTPUT:	12 × RJ-45 Connector
COM PORT:	1 × 9 pin D-Sub Female connector
INPUT SELECTION:	2:1
MAX RESOLUTION:	1920 × 1200
HOUSING:	Metal
ACCESSORIES:	Power cord
POWER SOURCE:	100 to 240 VAC, 50/60Hz
GROSS DIMENSION:	532 × 370 × 77 mm
GROSS WEIGHT:	5 kg

\* Specifications are subject to change without notice.

**ABtUS**

# CAT-RGB224T/AP3

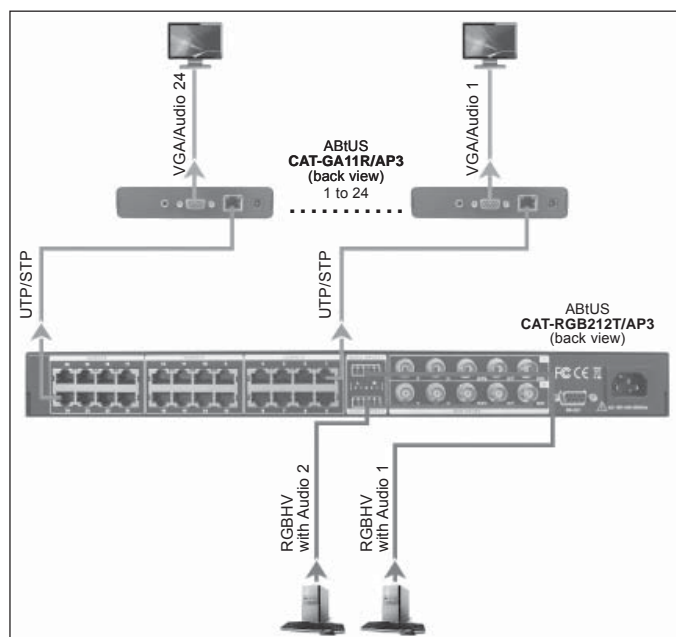
## 2:1X24 RGB/STEREO AUDIO OVER CAT-5 TRANSMITTER (UP TO 300M)



### DESCRIPTION

The CAT-RGB224T/AP3 is a Distribution Amplifier Extender System that allows either 1 of the 2 video signal/stereo audio to be sent to multiple display (\*up to 24 displays) over long distances of Cat-5 cable (\*300meter point-to-point). It supports resolutions from VGA (640x480) to WUXGA (1920x1200). The receiver has a built-in equalization and gain control to adjust the focus and brightness as well as an enhanced RGB Skew Compensation adjustment. This improves the VGA signal going through the CAT5 cable with changes to the R, G & B signals adjusted individually, signals are delayed as required for images to be overlaid properly. It also come with a "memorized & lock" function features when properly adjusted.

Matching Receiver: CAT-GA111R/AP3 or CAT-GA11R/AP3



### TYPICAL APPLICATIONS

ABtUS Video/Audio extender products are ideal for presentations, classrooms, multipurpose halls, remote monitoring, workstation environments, data centers, retail show rooms, hotel and training facilities applications.

### FEATURES

- Extends VGA /stereo Audio signal over CAT5
- Receives computer video and stereo audio up to 1000 feet (300 meters) over CAT 5e UTP, CAT 5e STP or CAT 6 UTP cables
- Works well with monitors, projectors, HDTV and flat panels displays
- Connects to multiple video screen from either one of the two Input sources
- Supports resolutions from VGA (640 x 480) to WUXGA (1920 x 1200)

### TECHNICAL SPECIFICATION

INPUT:	2 x RGB-HV (5 x BNC connector) 2 x 3.5mm block connector for balance/ un-balance audio
OUTPUT:	24 x RJ-45 Connector
COM PORT:	1 x 9 pin D-Sub Female connector
SWITCHING SELECTION:	2:1
MAX RESOLUTION:	1920 x 1200
HOUSING:	Metal
ACCESSORIES:	Power cord
POWER SOURCE:	100 to 240 VAC, 50/60Hz
GROSS DIMENSION:	433 x 370 x 78 mm
GROSS WEIGHT:	4.8 kg

\* Specifications are subject to change without notice.

# CAT-HDX11R/A1

## HDMI OVER SINGLE CAT-5 EXTENDER WITH KEYBOARD, MOUSE, IR AND RS-232 RECEIVER (UP TO 100M)



### DESCRIPTION

#### Home Application

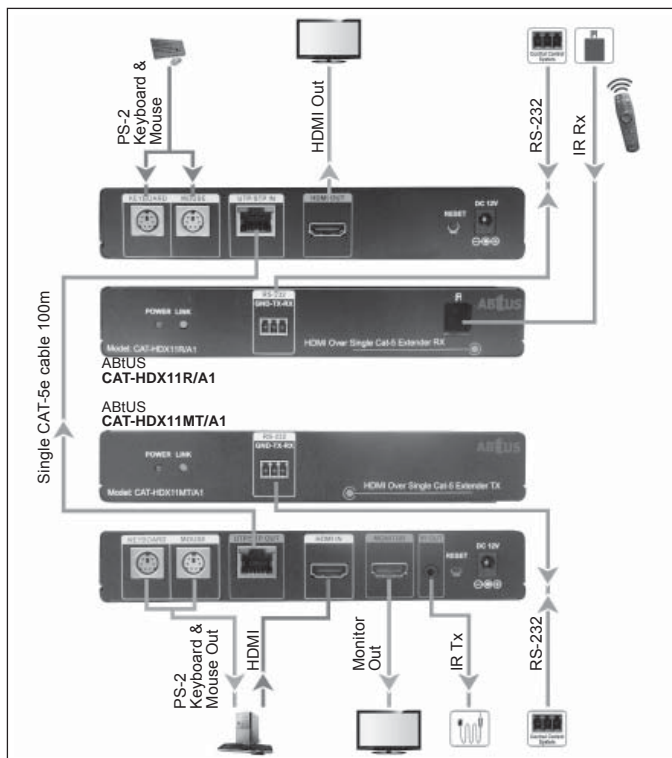
Enhance your home entertainment center and extend HDMI devices throughout your home.

#### Data Broadcasting

Data such as news, stock prices, sports results, and flight information can be broadcast in real time to various monitors.

### FEATURES

- HDMI Version 1.3b Compliance
- HDCP Compliance
- With Keyboard and Mouse (PS-2)
- Extend WUXGA (1900 × 1200) or Full HD 1080p HDMI Up to 100meter over a Single Cat-5e Cable
- With IR and or RS-232 Control pass through



### TYPICAL APPLICATIONS

Home Application; HD Presentation; Data Broadcasting; Learning and Training

### TECHNICAL SPECIFICATION

	Receiver
INPUT:	1 × IR 1 × RJ45
OUTPUT:	1 × HDMI 1 × Keyboard (PS-2) 1 × Mouse (PS-2)
COMMUNICATION I/O:	1 × RS-232
HDMI COMPLIANCE:	1080p - 60Hz 1.3b
HDCP COMPLIANCE:	Yes
MAX RESOLUTION:	1080p@60Hz
BANDWIDTH:	225 MHz
VIDEO SUPPORT:	480i/480p/720p/1080i/1080p60 up to 36-bit color
AUDIO SUPPORT:	Surround sound (up to 7.1ch) or stereo digital audio
HDMI over UTP [24bit]:	Full HD (1080p) - 100m (330ft)
TRANSMISSION RANGE:	HD 1080p - 100m / CAT-5e
INPUT TMDS SIGNAL:	1.3 Volts [peak-to-peak]
INPUT DDC SIGNAL:	5 volts [peak-to-peak, TTL]
ESD PROTECTION:	[1] Human body model— ±15kV [air-gap discharge] & ±15kV [contact discharge] [2] Core chipset —±15kV
PCB STACK-UP:	6-layer board [impedance control— different 100Ω ; single 50Ω]
HDMI SOURCE CONTROL:	Controllable via IR pass-through from IR receiver at RX to IR blaster at TX
GROSS DIMENSION:	310 × 240 × 60 mm
GROSS WEIGHT:	850 g

\* Specifications are subject to change without notice.

**ABTUS**

# CAT-HDX11T/AP2

1:1 HDMI OVER SINGLE CAT-5 EXTENDER TRANSMITTER (TREE CHAIN)  
FOR DIGITAL SIGNAGE



## DESCRIPTION

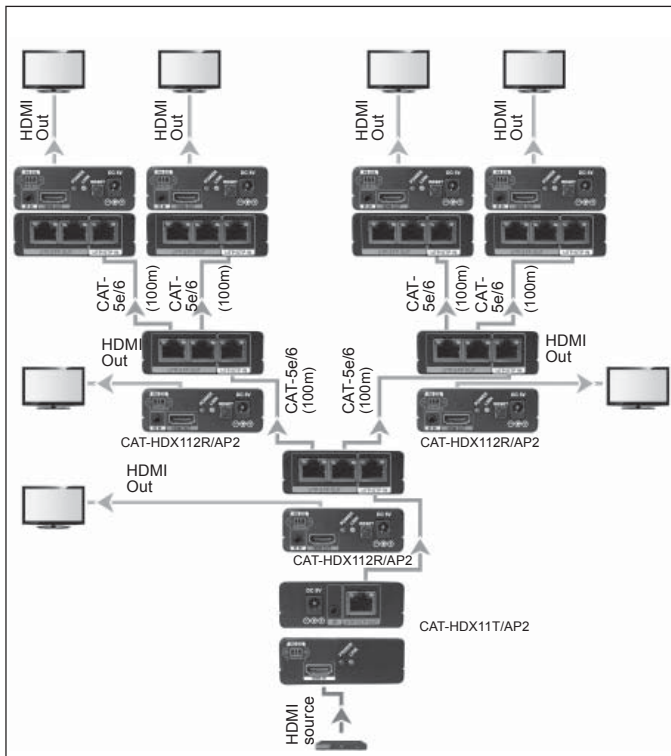
The ABtUS CAT-HDX11T/AP2 (Transmitter) HDMI Tree Extender allows Full HD signals to be extended over a longer distance and larger number of displays. It can extend Full HD video, Multi channel audio, IR and RS-232 over single CAT-5 cable over 100m.

With the use of transceivers, the signal can be repeated and extended over another 100m (each level). The number of displays could also be increased with the number of transceivers used in the setup.

Ideal for any long distance signal transmission with multiple displays showing the same image.

## FEATURES

- Full HD 1080p video over Single CAT-5
- Multi Channel Audio, IR and RS-232 over Single CAT-5
- 100m each level
- Recommended extension of up to 31 displays over 500m



## TYPICAL APPLICATIONS

Any integration that requires long distance extension with multiple displays showing the same image.

- Public Display Systems • Airports • Shopping Malls • School Campus

## TECHNICAL SPECIFICATION

INPUT:	1 × HDMI (*19pin female)
OUTPUT:	1 × RJ45 1 × IR
CONTROL PORT:	1 × RS-232 (*3 pin Terminal block)
HDMI COMPLIANCE:	1080p 60Hz 1.3
HDCP COMPLIANCE:	Yes
VIDEO BANDWIDTH:	Single-link 225 MHz (6.75 Gps)
MAX VIDEO SUPPORT:	1080p @ 60Hz 36-bit color
AUDIO SUPPORT:	Surround Sound (up to 7.1ch) or Stereo Digital Audio
TRANSMITTER RANGE:	Full HD (1080p) up to 100m
** distance are measured base on ABtUS CAT-5e UTP cable	
ESD PROTECTION:	[1] Human body model ±15kV [air-gap discharge] & ±15kV [contact discharge] [2] Core chipset ±8kV
PCB STACK-UP:	6-layer board impedance control - differential 100ohm; single 50ohm
POWER SUPPLY:	5V DC 1.5A
OPERATION TEMPERATURE:	0~40°C [32~104°F]
STORAGE TEMPERATURE:	- 20~60°C [- 4~140°F]
RELATIVE HUMIDITY:	20~90% RH [no condensation]
HOUSING:	Metal enclosure
GROSS DIMENSION:	268 × 185 × 78 mm
GROSS WEIGHT:	540 g

\* Specifications are subject to change without notice.

# CAT-HDX112R/AP2

## 1:2 HDMI OVER SINGLE CAT-5 EXTENDER TRANSCEIVER (TREE CHAIN) FOR DIGITAL SIGNAGE

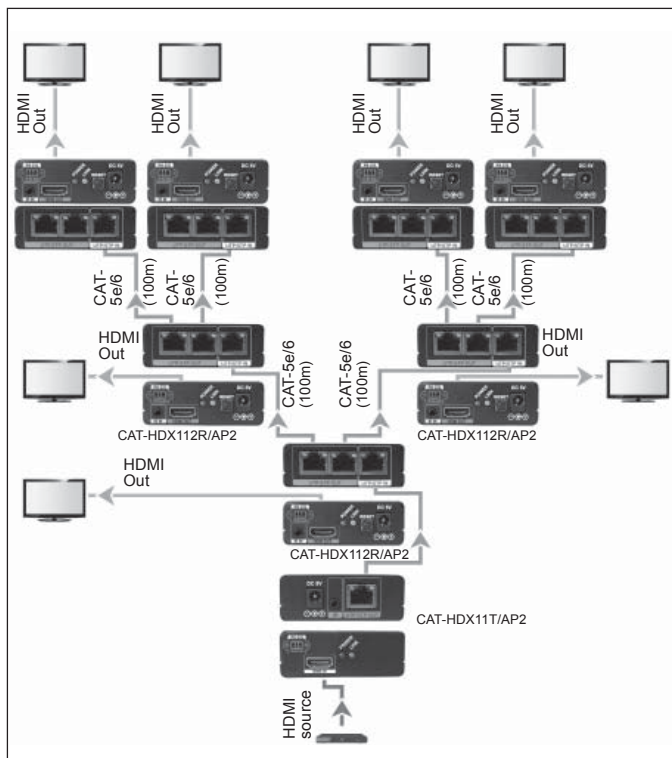


### DESCRIPTION

The ABTUS CAT-HDX112R/AP2 (Transceiver) HDMI Tree Extender allows Full HD signals to be extended over a longer distance and larger number of displays. It can extend Full HD video, Multi channel audio, IR and RS-232 over single CAT-5 cable over 100m.

With the use of transceivers, the signal can be repeated and extended over another 100m (each level). The number of displays could also be increased with the number of transceivers used in the setup.

Ideal for any long distance signal transmission with multiple displays showing the same image.



### TYPICAL APPLICATIONS

Any integration that requires long distance extension with multiple displays showing the same image.

- Public Display Systems • Airports • Shopping Malls • School Campus

### FEATURES

- Full HD 1080p video over Single CAT-5
- Multi Channel Audio, IR and RS-232 over Single CAT-5
- 100m each level
- Recommended extension of up to 31 displays over 500m

### TECHNICAL SPECIFICATION

INPUT:	1 × HDMI 1 × IR
OUTPUT:	2 × RJ45 1 × HDMI (*19 pin female)
CONTROL PORT:	1 × RS-232
HDMI COMPLIANCE:	1080p 60Hz 1.3
HDCP COMPLIANCE:	Yes
VIDEO BANDWIDTH:	Single-link 225 MHz (6.75 Gps)
MAX VIDEO SUPPORT:	1080p @ 60Hz 36-bit color
AUDIO SUPPORT:	Surround Sound (up to 7.1ch) or Stereo Digital Audio
TRANSMITTER RANGE:	Full HD (1080p) up to 100m
** distance are measured base on ABTUS CAT-5e UTP cable	
ESD PROTECTION:	[1] Human body model ±15kV [air-gap discharge] & ±15kV [contact discharge] [2] Core chipset ±8kV
PCB STACK-UP:	6-layer board impedance control - differential 100ohm; single 50ohm
POWER SUPPLY:	5V DC 1.5A
OPERATION TEMPERATURE:	0~40°C [32~104°F]
STORAGE TEMPERATURE:	- 20~60°C [- 4~140°F]
RELATIVE HUMIDITY:	20~90% RH [no condensation]
HOUSING:	Metal enclosure
GROSS DIMENSION:	268 × 185 × 78 mm
GROSS WEIGHT:	540 g

\* Specifications are subject to change without notice.

**ABTUS**



# MU-CATHD11T/2-06-ST

## HDMI OVER CAT-5 WALL PLATE EXTENDER (DUAL CAT-5 OUTPUTS) TRANSMITTER



### DESCRIPTION

The MU-CATHD11T/2-06-ST & MU-CATHD11R/2-06-ST is a pair of HDMI extender built into a single gang wall plate.

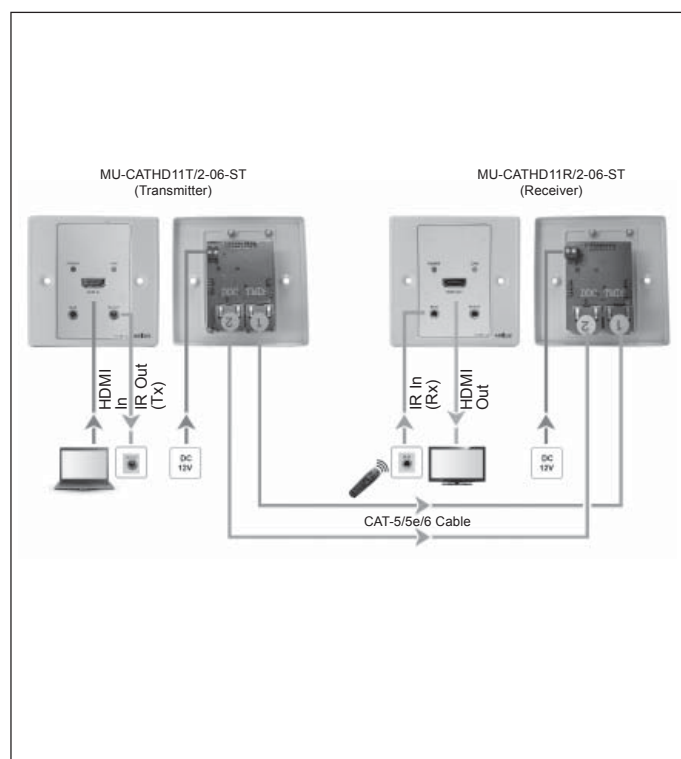
It enables extension of HDMI signal & IR over a pair of CAT-5/6 cable over a distance up to 50m.

The neat and simple outlook of the extender allows it to be installed any room.

Ideal for small meeting rooms, discussion rooms, hospitality, retail & home installations.

### FEATURES

- Support HDMI Deep Color
- HDCP compliant
- Extends HDMI signals up to 50m over CAT5e at 1080p
- Purely unaltered uncompressed 7.1ch digital HDMI transmission
- Embedded IR pass-through from RX to TX to control source device
- Easy installation with wall-plate mounting design



### TYPICAL APPLICATIONS

Any integration that requires long distance extension with multiple displays showing the same image.

- Retail • Hospitality • Small meeting room • Discussion room • Home

### TECHNICAL SPECIFICATION

	MU-CATHD11T/2-06-ST	MU-CATHD11R/2-06-ST
INPUT:	1×HDMI	2×RJ45 + 1×3.5mm
OUTPUT:	2×RJ45 + 1x 3.5mm	1×HDMI
HDMI SOURCE CONTROL:	Controllable via IR pass-through from RX to TX	
IR REMOTE CONTROL:	Electro-optical characteristics: $\tau = 25^\circ$ / Carrier frequency: 20~60kHz	
HDMI CONNECTOR:	Type A (19-pin female)	
RJ45 CONNECTOR:	WE/SS 8P8C	
3.5MM CONNECTOR:	3.5mm jack for IR emitter	3.5mm jack for IR receiver
ROTARY CONTROL:	None	EQ for signal equalization
HDMI COMPLIANCE:	HDMI Deep Color	
HDCP COMPLIANCE:	Yes	
VIDEO BANDWIDTH:	Single-link 225MHz (6.75Gbps)	
VIDEO SUPPORT:	480i / 480p / 720p / 1080i / 1080p60 24/30/36-bit color	
AUDIO SUPPORT:	Surround sound (up to 7.1ch) or stereo digital audio	
HDMI OVER UTP TRANSMISSION (24-BIT):	Full HD (1080p)-40m (130ft) [CAT-5] HD (720p/1080i)-50m (165ft) [CAT-5]	
HDMI EQUALIZATION:	N/A	8-level digital rotary control
INPUT TMD5 SIGNAL:	1.2 Volts (peak-to-peak)	
INPUT DDC SIGNAL:	5 Volts (peak-to-peak, TTL)	
ESD PROTECTION:	[1] Human body — $\pm 19kV$ air-gap discharge & $\pm 12kV$ contact discharge [2] Core chipset — $\pm 8kV$	
PCB STACK-UP:	PCB stack-up 4-layer board (impedance control — differential 100 $\Omega$ ; single 50 $\Omega$ )	
FIXEDNESS:	Wall plate mounting	
POWER SUPPLY:	12V 1A DC at either TX or RX	
POWER CONSUMPTION:	1 Watt (max)	
OPERATION TEMPERATURE:	0~40°C [32~104°F]	
STORAGE TEMPERATURE:	-20~60°C [-4~140°F]	
RELATIVE HUMIDITY:	20~90% RH (no condensation)	
HOUSING:	Metal enclosure	
GROSS DIMENSIONS:	195mm × 190mm × 80mm	
GROSS WEIGHT:	620 g	

\* Specifications are subject to change without notice.

# MU-CATHD11R/2-06-ST

## HDMI OVER CAT-5 WALL PLATE EXTENDER (DUAL CAT-5 OUTPUTS) RECEIVER



### DESCRIPTION

The MU-CATHD11T/2-06-ST & MU-CATHD11R/2-06-ST is a pair of HDMI extender built into a single gang wall plate.

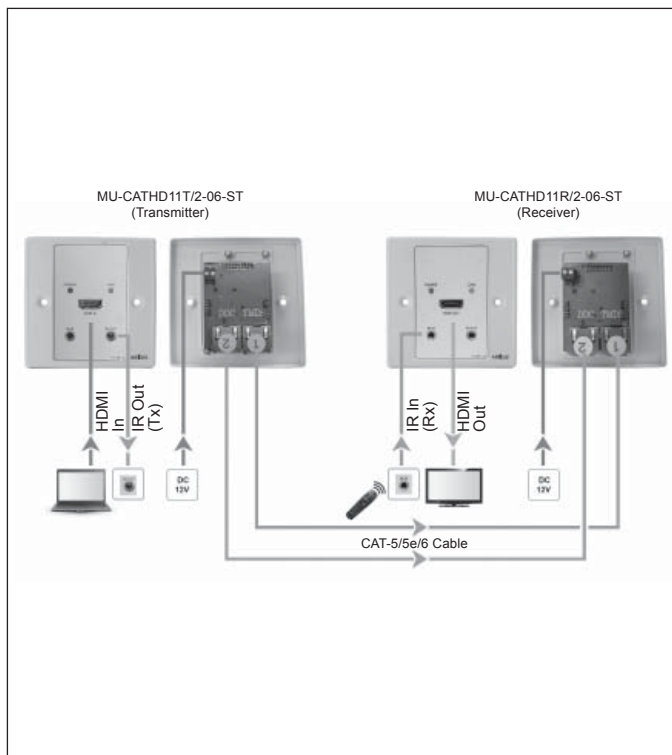
It enables extension of HDMI signal & IR over a pair of CAT-5/6 cable over a distance up to 50m.

The neat and simple outlook of the extender allows it to be installed any room.

Ideal for small meeting rooms, discussion rooms, hospitality, retail & home installations.

### FEATURES

- Support HDMI Deep Color
- HDCP compliant
- Extends HDMI signals up to 50m over CAT5e at 1080p
- Purely unaltered uncompressed 7.1ch digital HDMI transmission
- Embedded IR pass-through from RX to TX to control source device
- Easy installation with wall-plate mounting design



### TYPICAL APPLICATIONS

Any integration that requires long distance extension with multiple displays showing the same image.

- Retail • Hospitality • Small meeting room • Discussion room • Home

### TECHNICAL SPECIFICATION

	MU-CATHD11T/2-06-ST	MU-CATHD11R/2-06-ST
INPUT:	1×HDMI	2×RJ45 + 1×3.5mm
OUTPUT:	2×RJ45 + 1x 3.5mm	1×HDMI
HDMI SOURCE CONTROL:	Controllable via IR pass-through from RX to TX	
IR REMOTE CONTROL:	Electro-optical characteristics: $\tau = 25^\circ /$ Carrier frequency: 20~60kHz	
HDMI CONNECTOR:	Type A (19-pin female)	
RJ45 CONNECTOR:	WE/SS 8P8C	
3.5MM CONNECTOR:	3.5mm jack for IR emitter	3.5mm jack for IR receiver
ROTARY CONTROL:	None	EQ for signal equalization
HDMI COMPLIANCE:	HDMI Deep Color	
HDCP COMPLIANCE:	Yes	
VIDEO BANDWIDTH:	Single-link 225MHz (6.75Gbps)	
VIDEO SUPPORT:	480i / 480p / 720p / 1080i / 1080p60 24/30/36-bit color	
AUDIO SUPPORT:	Surround sound (up to 7.1ch) or stereo digital audio	
HDMI OVER UTP TRANSMISSION (24-BIT):	Full HD (1080p)-40m (130ft) [CAT-5] HD (720p/1080i)-50m (165ft) [CAT-5]	
HDMI EQUALIZATION:	N/A	8-level digital rotary control
INPUT TMDS SIGNAL:	1.2 Volts (peak-to-peak)	
INPUT DDC SIGNAL:	5 Volts (peak-to-peak, TTL)	
ESD PROTECTION:	[1] Human body — $\pm 19kV$ air-gap discharge & $\pm 12kV$ contact discharge [2] Core chipset — $\pm 8kV$	
PCB STACK-UP:	PCB stack-up 4-layer board (impedance control — differential 100 $\Omega$ ; single 50 $\Omega$ )	
FIXEDNESS:	Wall plate mounting	
POWER SUPPLY:	12V 1A DC at either TX or RX	
POWER CONSUMPTION:	1 Watt (max)	
OPERATION TEMPERATURE:	0~40°C [32~104°F]	
STORAGE TEMPERATURE:	-20~60°C [-4~140°F]	
RELATIVE HUMIDITY:	20~90% RH (no condensation)	
HOUSING:	Metal enclosure	
GROSS DIMENSIONS:	195mm × 190mm × 80mm	
GROSS WEIGHT:	620 g	

\* Specifications are subject to change without notice.

**ABTUS**

# HDBT-GAHD31T/AP1

## HDBASET SCALER EXTENDER (HDMI / DISPLAY PORT / VGA) TRANSMITTER

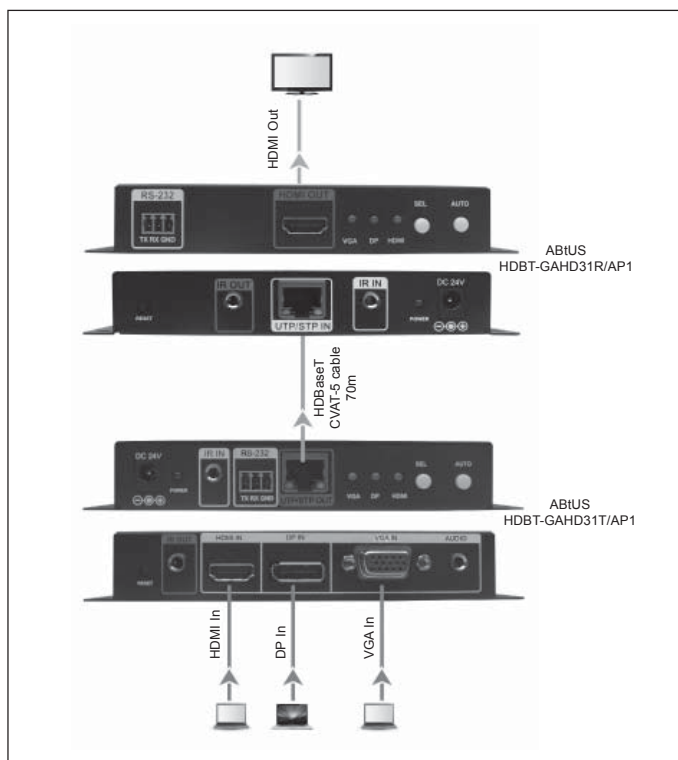


### DESCRIPTION

The ABiUS HDBT-GAHD31T/AP1 & HDBT-GAHD31R/AP1 is a convenient HDBaseT scaler extender that can scale and transmit both analog and digital signals over CAT-6 cables up to 70m. Using HDBaseT technology, it can support bi-directional and RS-232 command over the same CAT-6 cable.

### FEATURES

- Supports up to 4K 2K resolutions
- Scaled video output to 1080p @ 60Hz
- Extends HDMI / VGA up to 70m



### TYPICAL APPLICATIONS

Any integration that requires long distance extension with multiple displays showing the same image.

- Retail • Hospitality • Small meeting room • Discussion room • Home

### TECHNICAL SPECIFICATION

	HDBT-GAHD31T/AP1	HDBT-GAHD31R/AP1
<b>INPUT:</b>	1 × HDMI 1 × Display Port 1 × VGA	1 × RJ45
<b>OUTPUT:</b>	1 × 3.5mm 1 × RJ45	1 × HDMI
<b>CONTROL:</b>	Front Panel	
<b>HDMI COMPLIANCE:</b>	Yes	
<b>HDCP COMPLIANCE:</b>	HDMI Deep color, Full 3D & 4K 2K	
<b>SCALED VIDEO SUPPORT:</b>	1080p @ 60Hz 36-bit color	
<b>MAX VIDEO SUPPORT:</b>	1920 × 1200, 4K 2K @ 60Hz 36-bit color	
<b>AUDIO SUPPORT:</b>	Surround sound (up to 7.1ch) or Stereo Digital Audio	
<b>TRANSMITTER RANGE:</b>	Full HD (1080p) up to 70m through HDBaseT	
<b>IR PASSTHROUGH:</b>	Bi-directional	
<b>RS-232 PASSTHROUGH:</b>	Yes	
<b>POWER SUPPLY:</b>	24V 1A	

\* Specifications are subject to change without notice.

# HDBT-GAHD31R/AP1

## HDBASET SCALER EXTENDER (HDMI / DISPLAY PORT / VGA) RECEIVER

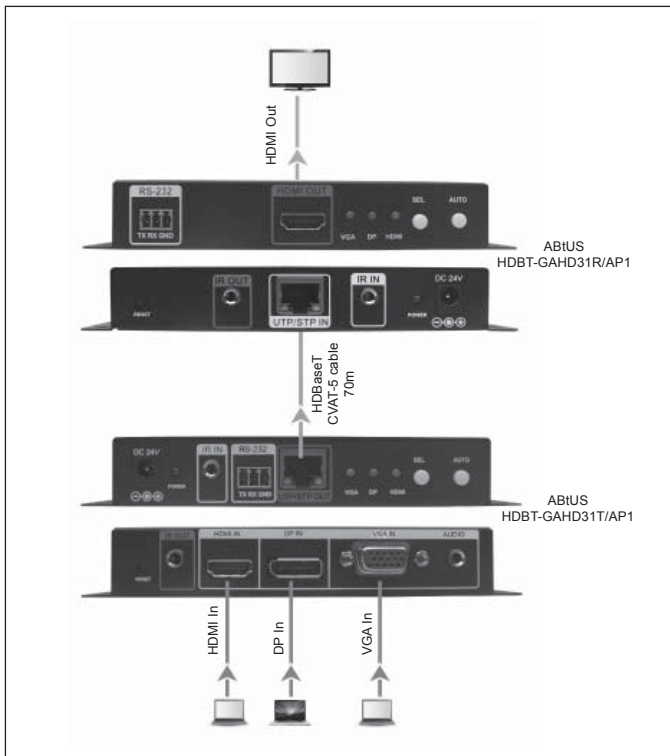


### DESCRIPTION

The ABtUS HDBT-GAHD31T/AP1 & HDBT-GAHD31R/AP1 is a convenient HDBaseT scaler extender that can scale and transmit both analog and digital signals over CAT-6 cables up to 70m. Using HDBaseT technology, it can support bi-directional and RS-232 command over the same CAT-6 cable.

### FEATURES

- Supports up to 4K 2K resolutions
- Scaled video output to 1080p @ 60Hz
- Extends HDMI / VGA up to 70m



### TYPICAL APPLICATIONS

Any integration that requires long distance extension with multiple displays showing the same image.

- Retail • Hospitality • Small meeting room • Discussion room • Home

### TECHNICAL SPECIFICATION

	HDBT-GAHD31T/AP1	HDBT-GAHD31R/AP1
<b>INPUT:</b>	1 × HDMI 1 × Display Port 1 × VGA	1 × RJ45
<b>OUTPUT:</b>	1 × 3.5mm 1 × RJ45	1 × HDMI
<b>CONTROL:</b>	Front Panel	
<b>HDMI COMPLIANCE:</b>	Yes	
<b>HDCP COMPLIANCE:</b>	HDMI Deep color, Full 3D & 4K 2K	
<b>SCALED VIDEO SUPPORT:</b>	1080p @ 60Hz 36-bit color	
<b>MAX VIDEO SUPPORT:</b>	1920 × 1200, 4K 2K @ 60Hz 36-bit color	
<b>AUDIO SUPPORT:</b>	Surround sound (up to 7.1ch) or Stereo Digital Audio	
<b>TRANSMITTER RANGE:</b>	Full HD (1080p) up to 70m through HDBaseT	
<b>IR PASSTHROUGH:</b>	Bi-directional	
<b>RS-232 PASSTHROUGH:</b>	Yes	
<b>POWER SUPPLY:</b>	24V 1A	

\* Specifications are subject to change without notice.

**ABtUS**

# OPT-HDX11MT/A1

## HDMI OVER PLASTIC OPTIC FIBER (POF) EXTENDER TRANSMITTER (UP TO 650M)

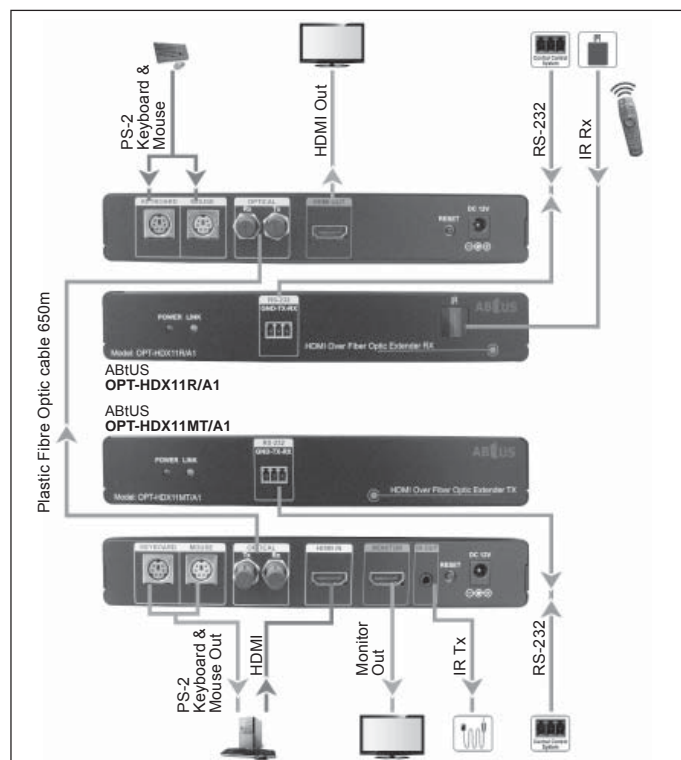


### DESCRIPTION

ABUS OPT-HDX11MT/A1 is a HDMI over Plastic Optic Fiber Extender that sends lossless Full HD 1080p HDMI signals over a duplex multi mode plastic optic fiber cable. It also supports Keyboard/Mouse, IR and RS-232 pass through simultaneously over the same cable. Extending state-of-the-art Full HD digital video displays, computer monitors and touch screens has never been easier.

Supporting distances up to 2,132 feet/650meter at Full HD 1080p resolution, the OPT-HDX11MT/A1 is guaranteed to perform beautifully, giving you a reliable method of all-digital extension while streamlining your installation cabling needs.

(\*Supporting cable length are tested base on standard multi mode plastic fiber Optic Cable and may differ due to different cable used)



### TYPICAL APPLICATIONS

Home Application; HD Presentation; Data Broadcasting; Learning and Training.

### FEATURES

- Full HD Over Duplex multi mode plastic optic fiber cables
- Support distances up to 2,132 feet/650 meter at a Full HD 1080p resolution
- With RS-232 Full duplex, IR pass through and Keyboard/Mouse extension (\*Depending on model)
- Integrated with Local Monitor output (\*Depending on model)

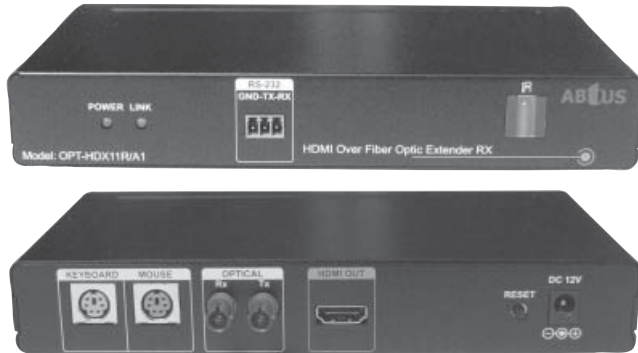
### TECHNICAL SPECIFICATION

	Transmitter
INPUT:	1 × HDMI (*19 pin female) 1 × Keyboard (*PS-2) 1 × Mouse (*PS-2)
OUTPUT:	2 × ST Connector 1 × HDMI (*Monitor) 1 × IR
CONTROL PORT:	1 × RS-232 (*3 pin Terminal block)
HDMI COMPLIANCE:	1080p 60Hz 1.3
HDCP COMPLIANCE:	Yes
VIDEO BANDWIDTH:	4.75 Gbps
VIDEO SUPPORT:	Up to 1080p@60Hz 24-bit color
AUDIO SUPPORT:	Surround sound (up to 7.1ch)
TRANSMISSION RANGE:	Full HD (1080p) up to 650m (2,132ft) **distance varies base on cable specification
FIBER OPTICS:	Wavelength: 850nm Type: Multi Mode Optical Power: -5 to -12 dBm
ESD PROTECTION:	[1] Human body model ±15kV [air-gap discharge] & ±15kV [contact discharge] [2] Core chipset ±15kV
POWER SUPPLY:	12 V DC 1A
STORAGE TEMPERATURE:	-20~60°C [-4~140°F]
RELATIVE HUMIDITY:	20~90% RH [no condensation]
GROSS DIMENSION:	310 × 240 × 60 mm
GROSS WEIGHT:	860 g

\* Specifications are subject to change without notice.

# OPT-HDX11R/A1

## HDMI OVER PLASTIC OPTIC FIBER (POF) EXTENDER RECEIVER (UP TO 650M)

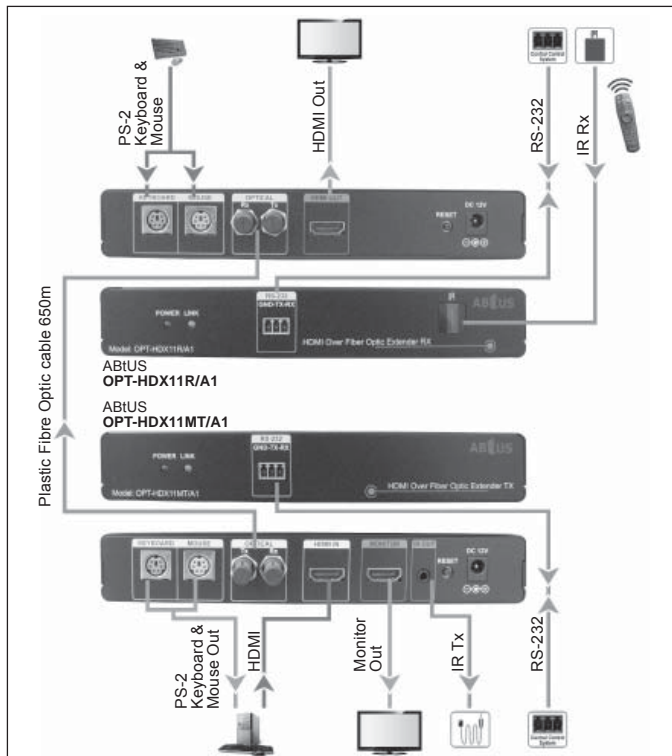


### DESCRIPTION

ABtUS OPT-HDX11R/A1 is a HDMI over Plastic Optic Fiber Extender that sends lossless Full HD 1080p HDMI signals over a single multi mode plastic optic fiber cable. It also supports Keyboard/Mouse, IR and RS-232 pass through simultaneously over the same cable. Extending state-of-the-art Full HD digital video displays, computer monitors and touch screens has never been easier.

Supporting distances up to 2,132 feet/650meter at Full HD 1080p resolution, the OPT-HDX11MT/A1 is guaranteed to perform beautifully, giving you a reliable method of all-digital extension while streamlining your installation cabling needs.

(\*Support cable length are tested base on standard multi mode plastic fiber Optic Cable and may differ due to different cable used)



### TYPICAL APPLICATIONS

Home Application; HD Presentation; Data Broadcasting; Learning and Training

### FEATURES

- Full HD Over Duplex multi mode plastic optic fiber cables
- Support distances up to 2,132 feet/650 meter at a Full HD 1080p resolution
- With RS-232 Full duplex, IR pass through and Keyboard/Mouse extension (\*Depending on model)
- Integrated with Local Monitor output (\*Depending on model)

### TECHNICAL SPECIFICATION

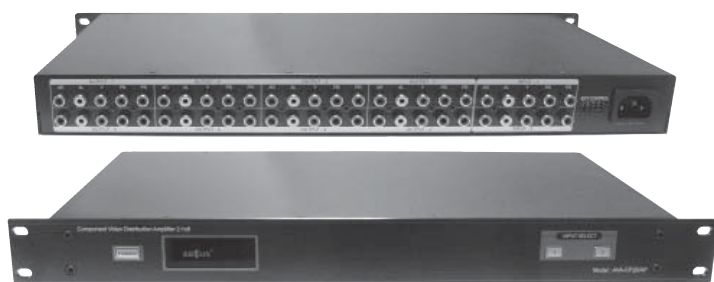
	Receiver
INPUT:	2 × ST Connector 1 × IR (Sensor)
OUTPUT:	1 × HDMI 1 × Keyboard (*PS-2) 1 × Mouse (*PS-2)
CONTROL PORT:	1 × RS-232 (*3 pin Terminal block)
HDMI COMPLIANCE:	1080p 60Hz 1.3
HDCP COMPLIANCE:	Yes
VIDEO BANDWIDTH:	4.75 Gbps
VIDEO SUPPORT:	Up to 1080p@60Hz 24-bit color
AUDIO SUPPORT:	Surround sound (up to 7.1ch)
TRANSMISSION RANGE:	Full HD (1080p) up to 650m (2,132ft) **distance varies base on cable specification
FIBER OPTICS:	Wavelength: 850nm Type: Multi Mode Optical Power: -5 to -12 dBm
ESD PROTECTION:	[1] Human body model ±15kV [air-gap discharge] & ±15kV [contact discharge] [2] Core chipset ±15kV
POWER SUPPLY:	12 V DC 1A
STORAGE TEMPERATURE:	-20~60°C [-4~140°F]
RELATIVE HUMIDITY:	20~90% RH [no condensation]
GROSS DIMENSION:	310 × 240 × 60 mm
GROSS WEIGHT:	830 g

\* Specifications are subject to change without notice.

**ABtUS**

# AVA-CP28/AP

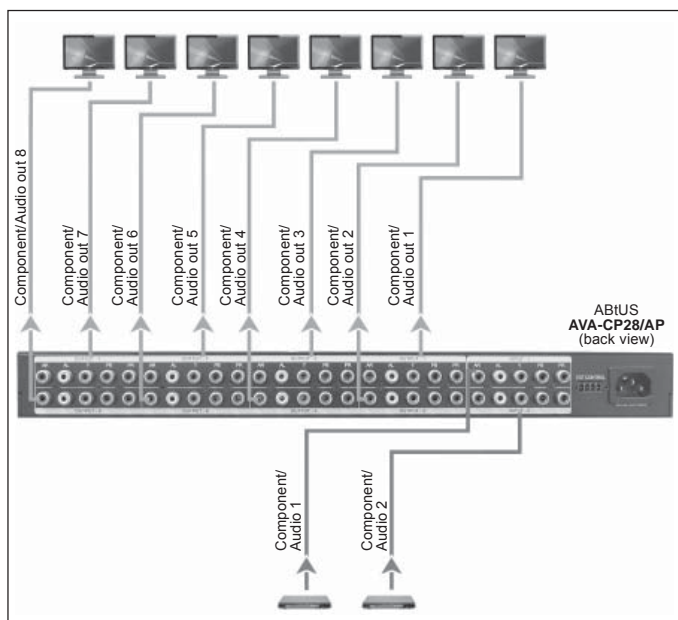
## 2:1X8 COMPONENT VIDEO/STEREO AUDIO DISTRIBUTION AMPLIFIER SWITCHER WITH EXTERNAL CONTROL



### DESCRIPTION

The 2:1x8 Component Video + Analog stereo Audio Switcher Distribution Amplifier with external control port is designed to work as a switcher for multiple Audio/Video sources and displays. Capable of switching Component Video and Stereo Audio signals between two sources and splitting them to eight displays with compatible inputs.

A maximum bandwidth of 300MHz will support a sharp, high definition video in multiple resolutions (up to 1080p). It is a two-input switcher that allows any Input to be routed to all the eight outputs at one go. It eliminates the need to constantly move around video input and output cables. External control allows the switcher to be controlled by any I/O central controller system. The 2:1x8 Switcher Distribution Amplifier works with all Video equipment that has proper connections: such as Cable and Satellite receivers, Video Scalers, DVD players, VCRs and so on.



### TYPICAL APPLICATIONS

The ABtUS AVA-CP Series is part of the ABtUS series of high quality, high bandwidth and cost effective Distribution Amplifiers and Switchers designed specially for professional installers. ABtUS products can be found in industrial, commercial, educational, military and government applications like: Schools; Training rooms; Broadcast and duplication studios; Workstation environment; Retail showrooms; CCTV and surveillance and Multipurpose Hall etc.

### FEATURES

- Allows connection of 2 High Definition sources and 8 HD displays.
- Supports resolutions up to 1080p.
- Easy Installation

### TECHNICAL SPECIFICATION

INPUT:	2 × 5RCA (Y/Pb/Pr and AL/AR)
OUTPUT:	8 × 5RCA (Y/Pb/Pr and AL/AR)
BANDWIDTH:	(-3dB) 300MHz
MAX RESOLUTION:	Up to 1080p
CABLE LENGTH (INPUT):	1 to 3 meter
CABLE LENGTH (OUTPUT):	Up to 25 meter (*Depending on cable rating)
VIDEO SYSTEM:	NTSC/PAL/PAL-M/SECAM (Auto-Detect)
EXTERNAL CONTROL PORT:	1
HOUSING:	Metal
ACCESSORIES:	Power cord
POWER SOURCE:	100 to 240 VAC, 50/60Hz
GROSS DIMENSION:	533 × 370 × 76 mm
GROSS WEIGHT:	4 kg

\* Specifications are subject to change without notice.

# AVA-GA12N/A2

## 1:2 VGA DIGITAL AMPLIFIER WITH AUDIO (NO EXTERNAL POWER REQUIRED)



### DESCRIPTION

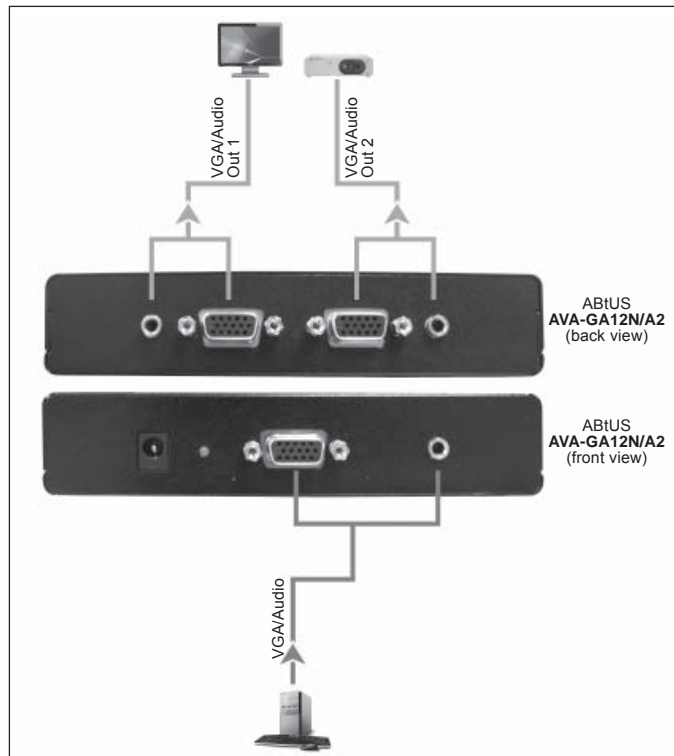
The ABtUS AVA-GA12N/A2 is a high quality 1:2 VGA Distribution Amplifier specially created for professional AV system integrators who require highly dependable performance in their installations. The AVA-GA12N/A2 is specially designed to work without an external power supply (plug & play) and can support a cable run of up to 50m in a typical application. Simply connect it to your computer and your display devices such as projectors, Plasma/LCD monitors and the AVA-GA series will provide high quality output for up to 2 display devices.

### FEATURES

- By using AD chipset (Analog Device), the AVA-GA series has a dedicated high bandwidth of 900 MHz (R+G+B) to ensure maximum transparency even for the most critical applications at the highest resolution UXGA mode. It is ideal for presentation systems requiring a local monitor or up to 2 different remote display units. The AVA-GA12N/A2 is also compatible with HDTV component video signals when using a break cable for VGA to component. A 12V power supply is included for applications where required.
- Compatible with all monitors, projectors, HDTVs and flat panel displays

### TECHNICAL SPECIFICATION

INPUT:	1 × VGA D-Sub 15 pin Female connector With 3.5mm mini audio jack
OUTPUT:	2 × VGA D-Sub 15 pin Female connector With 3.5mm mini audio jack
BANDWIDTH:	(-3dB) 900MHz
MAX RESOLUTION:	1600 × 1200
SIGNAL TYPE:	VGA, SVGA, XGA, UXGA, Multi sync
CABLE LENGTH (INPUT):	1 to 3 meter (*With a full 15 pin VGA Cable)
CABLE LENGTH (OUTPUT):	1 to 50 meter (*Depending on cable rating)
HOUSING:	Metal
ACCESSORIES:	AC-DC Power Adaptor 12V-DC, 500mA
POWER SOURCE:	12V-DC, 500mA (*Used Only when required)
GROSS DIMENSION:	270 × 185 × 77 mm
GROSS WEIGHT:	610 g



### TYPICAL APPLICATIONS

The AVA-GA12N/A is part of the ABtUS series of high quality, high bandwidth and cost effective Distribution Amplifiers and Switchers designed specially for professional installers. ABtUS products can be found in industrial, commercial, educational, military and government applications like:

- Schools • Training rooms • Broadcast and duplication studios • Workstation environments
- Retail showrooms • CCTV and surveillance • Multipurpose Hall

\* Specifications are subject to change without notice.

**ABtUS**



# AVA-GA14G/A

## 1:4 VGA DIGITAL AMPLIFIER WITH AUDIO

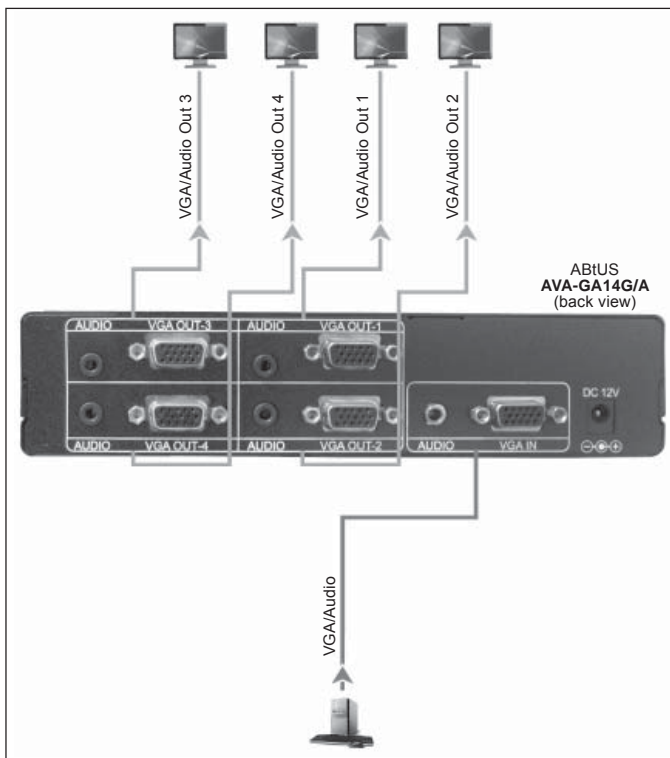


### DESCRIPTION

The ABTUS AVA-GA14G/A is high quality VGA Distribution Amplifier specially caters for professional AV system integrators who require high dependable performance in their installations. Simply connect them to your computer and your display devices such as projectors, Plasma and LCD monitors and these distribution amplifiers will provide the highest quality output for up to 4 display devices.

### FEATURES

- With a video bandwidth of 900MHz, it ensures the Amplifier remains transparent even for high resolution VGA modes like UXGA. It is ideal for presentation systems requiring a local monitor or up to 2 (AVA-GA12G/A) & 4 (AVA-GA14G/A) different display units.
- Compatible with all monitors, projectors, HDTVs and flat panel displays



### TYPICAL APPLICATIONS

The AVA-GA14G/A is part of the ABTUS series of high quality, high bandwidth and cost effective Distribution Amplifiers and Switchers designed specially for professional installers. ABTUS products can be found in industrial, commercial, educational, military and government applications like:

- Schools • Training rooms • Broadcast and duplication studios • Workstation environments
- Retail showrooms • CCTV and surveillance • Multipurpose Hall

### TECHNICAL SPECIFICATION

INPUT:	1 × VGA D-Sub 15 pin Female connector with 3.5mm PC Audio
OUTPUT:	4 × VGA D-Sub 15 pin Female connector with 3.5mm PC Audio
BANDWIDTH:	(-3dB) 900MHz
MAX RESOLUTION:	1600 × 1200
SIGNAL TYPE:	VGA, SVGA, XGA, UXGA, Multi sync
CABLE LENGTH (INPUT):	1 to 3 meter
CABLE LENGTH (OUTPUT):	1 to 50 meter (*Depending on cable rating)
HOUSING:	Metal
ACCESSORIES:	AC-DC Power Adaptor 12V-DC, 500mA
POWER SOURCE:	12V-DC, 500mA
GROSS DIMENSION:	360 × 241 × 78 mm
GROSS WEIGHT:	1.9 kg

\* Specifications are subject to change without notice.

# AVS-GA28/AP

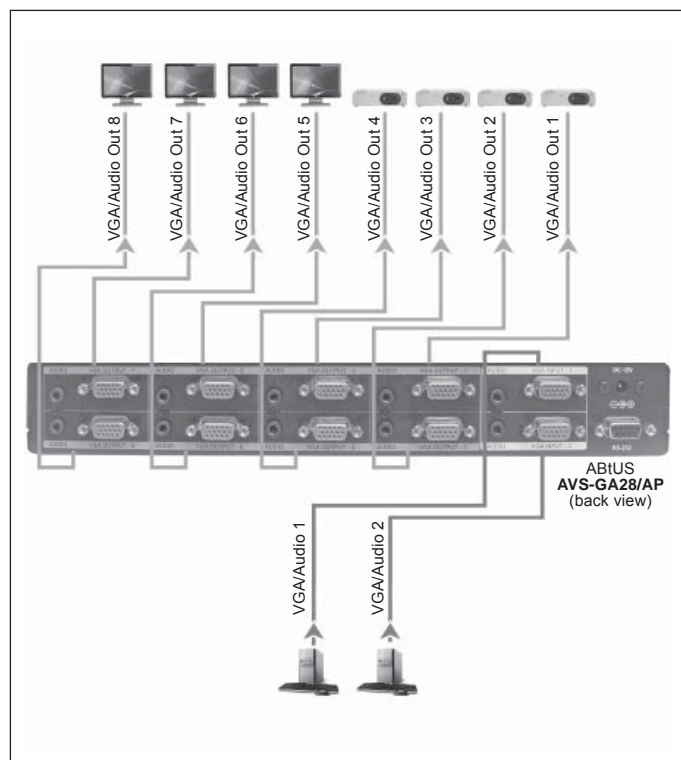
## 2:1 X8 VGA/AUDIO SWITCHER DA WITH RS-232 CONTROL



### DESCRIPTION

The ABtUS AVS-GA28/AP is designed to work as a splitter for VGA/Audio applications. Capable of splitting a VGA/Audio signal from either one of the two sources up to eight devices with compatible inputs. A built in amplifier will boost the signal to the needed level, to prevent signal loss and picture degradation. A maximum bandwidth of 900MHz will support a sharp and highly defined video in multiple resolutions of up to 1600 x 1200.

The VGA/Audio Switcher Distribution Amplifier works with all Video equipment that has proper connections: such as laptop and desktop computers.



### TYPICAL APPLICATIONS

The AVS-GA28/AP is part of the ABtUS series of high quality, high bandwidth and cost effective Distribution Amplifiers and Switchers designed specially for professional installers. ABtUS products can be found in industrial, commercial, educational, military and government applications like:

- Schools • Training rooms • Broadcast and duplication studios • Workstation environments
- Retail showrooms • CCTV and surveillance • Multipurpose Hall

### FEATURES

- Sends Video to multiple displays at the same time from either 1 of the 2 inputs
- Allows connection of 8 displays
- Supports resolutions up to 1920 x1200
- Installs in seconds.

### TECHNICAL SPECIFICATION

INPUT:	2 × VGA (*D-Sub 15 pin Female connector) 2 × Stereo Audio (*3.5mm mini jack)
OUTPUT:	8 × (*D-Sub 15 pin Female connector) 8 × Stereo Audio (*3.5mm mini jack)
CONTROL PORT:	1 × RS-232 (*D-Sub 9pin Female connector)
VIDEO BANDWIDTH:	900 MHz (R+G+B)
VIDEO SUPPORT:	Up to WUXGA (1920 × 1200@60Hz), Multi sync
AUDIO SUPPORT:	Stereo Audio
TRANSMITTER RANGE:	WUXGA@60 up to 50 meter (*distance varies depending on the grade of cable used)
INPUT TMDS SIGNAL:	1.3 Volts (peak to peak)
INPUT DCC SIGNAL:	5 Volts (peak to peak, TTL)
ESD PROTECTION:	[1] Human body model ±15Kv [air-gap discharge] & ±15Kv [contact discharge] [2] Core chipset ±15Kv
PCD STACK-UP:	6-layer board impedance control- differential 100ohm: single 50ohm
POWER SUPPLY:	12 V DC 500mA
OPERATION TEMPERATURE:	0~40°C [32~104°F]
STORAGE TEMPERATURE:	-20~60°C [-4~140°F]
RELATIVE HUMIDITY:	20%~90% RH [no condensation]
GROSS DIMENSION:	365 × 295 × 60 mm
GROSS WEIGHT:	2.5 kg

\* Specifications are subject to change without notice.

**ABtUS**

# AVS-GA82A/P

## 8:1X2 VGA DIGITAL AMPLIFIER SWITCHER WITH STEREO AUDIO

[ \* AP: WITH EXTERNAL CONTROL COM PORT ]

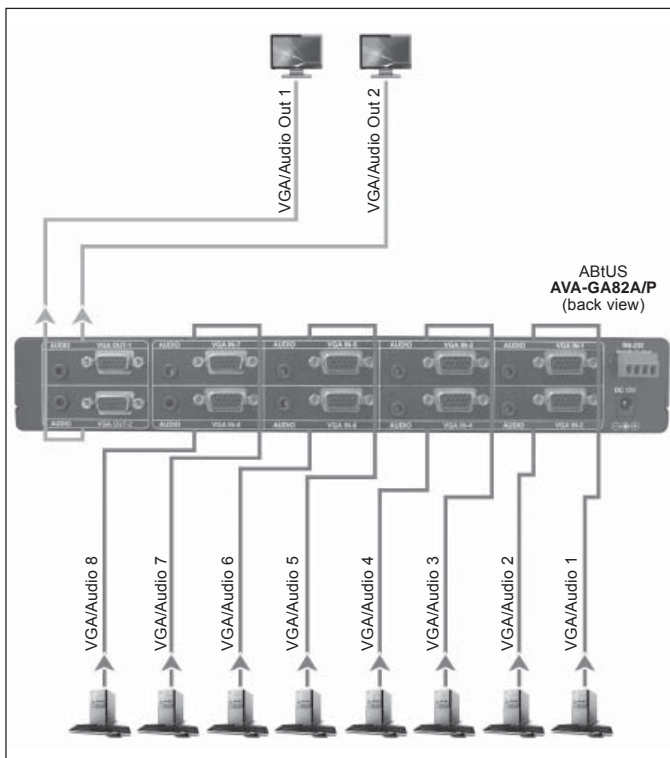


### DESCRIPTION

The ABTUS AVS-GA82A/P Switcher Distribution Amplifier is specially designed for computer and workstation applications. Either one of the 8 input can be selected and split to a VGA/SVGA/XGA/UXGA graphic output and stereo audio up to a local and remote monitor with no discernible signal degradation. State-of-the-art power management circuitry makes AVS-GA82AP the first choice signal distributor. With its high signal bandwidth of 900MHz identical high defined output can be achieved throughout.

### FEATURES

- With the 8 Input arrangements, any of the eight video sources can now be selectively amplified and distributed with high efficiency even for high-resolution VGA modes like UXGA. It is ideal for presentation systems requiring 8 VGA sources with a local monitor and/or up to 2 different display units.
- Compatible with all monitors, projectors, HDTVs and flat panel displays.



### TYPICAL APPLICATIONS

The AVS-GA82A/P is part of the ABTUS series of high quality, high bandwidth and cost effective Distribution Amplifiers and Switchers designed specially for professional installers. ABTUS products can be found in industrial, commercial, educational, military and government applications like:

- Schools • Training rooms • Broadcast and duplication studios • Workstation environments
- Retail showrooms • CCTV and surveillance • Multipurpose Hall

### TECHNICAL SPECIFICATION

INPUT:	8 × VGA D-Sub 15 pin Female connector With 3.5mm mini audio jack
OUTPUT:	2 × VGA D-Sub 15 pin Female connector With 3.5mm mini audio jack
BANDWIDTH:	(-3dB) 900MHz
MAX RESOLUTION:	1600 x 1200
SIGNAL TYPE:	VGA, SVGA, XGA, UXGA, Multi sync
CABLE LENGTH (INPUT):	1 to 3 meter
CABLE LENGTH (OUTPUT):	1 to 50 meter (*Depending on cable rating)
EXTERNAL COM PORT:	1 x (AVS-GA82A/P)
HOUSING:	Metal
ACCESSORIES:	AC-DC Power Adaptor 12V-DC, 500mA
POWER SOURCE:	12V-DC, 500mA
GROSS DIMENSION:	360 × 241 × 58 mm
GROSS WEIGHT:	1.2 kg

\* Specifications are subject to change without notice.

# AVA-HDMI18

## 1:8 HDMI DISTRIBUTION AMPLIFIER

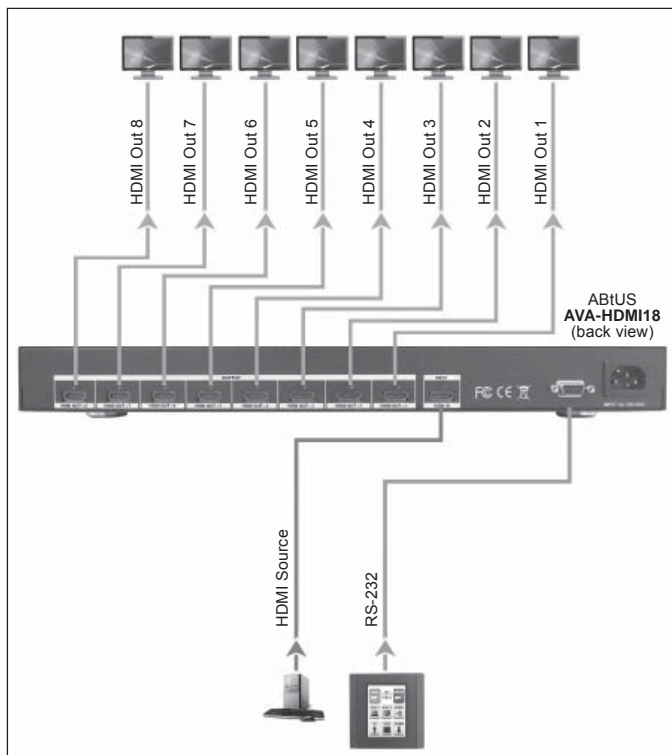


### DESCRIPTION

The ABtUS AVA-HDMI18 is a high quality 1 Input 8 output distribution amplifier for HDMI signal. The AVA HDMI 18 distributes a HDMI source to maximum 8 HDMI digital display devices (Projectors, Plasma and LCD Monitors) with excellent identical reproduction. It supports a wide range of PC and HDTV resolutions from VGA to WUXGA and 480p to 1080p.

### FEATURES

- Allows connection of 1 High Definition source to 8 HD displays.
- Supports resolutions up to 1080p.
- Easy Installation
- Inputs Gain Control : 0dB, 6dB or 12dB
- Outputs Gain Control : 0dB, 6dB or 12dB



### TYPICAL APPLICATIONS

The ABtUS AVA-HDMI18 is part of the ABtUS series of high quality, high bandwidth and cost effective Distribution Amplifiers designed specially for professional installers. ABtUS products can be found in industrial, commercial retail and home applications like:

- Production Studios • Rental and Staging • Home Theatres • Live Broadcast or Presentation Applications

### TECHNICAL SPECIFICATION

INPUT:	1 × HDMI Female connector
OUTPUT:	8 × HDMI Female connector
HDMI VERSION:	1.2a
BANDWIDTH:	1.65 GHz
MAX RESOLUTION:	Full 1080p
COM PORT:	1 × 9 pin D-Sub Female connector
CABLE LENGTH (INPUT):	Up to 15 meter (*Depending on cable rating)
CABLE LENGTH (OUTPUT):	Up to 15 meter (*Depending on cable rating)
HOUSING:	Metal
ACCESSORIES:	Power cord
POWER SOURCE:	100 to 240 VAC, 50/60Hz
GROSS DIMENSION:	534 × 380 × 79 mm
GROSS WEIGHT:	4.2 kg

\* Specifications are subject to change without notice.

**ABtUS**

# AVA-HDMI12/AP4

## 1:2 HDMI 1.4 DISTRIBUTION AMPLIFIER



### DESCRIPTION

The AVA-HDMI12/AP4 HDMI Distribution Amplifier provides the most cost effective and simple HDMI splitter solution in the market, Full HD Video and Audio can now be split and distributed to 2 different display with lossless quality. These DA also support Full HD 3D formats of HDMI 1.4A as well as resolution from 2560x1600 to 4096 x 2160 @ 60Hz.

With the upmost 30/36 bit deep color video and high defination audio support, these DA is suitable for high quality HDMI 1.4 broadcasting, digital signage and showroom applications.

\*Note: It does not support ACR and Ethernet.

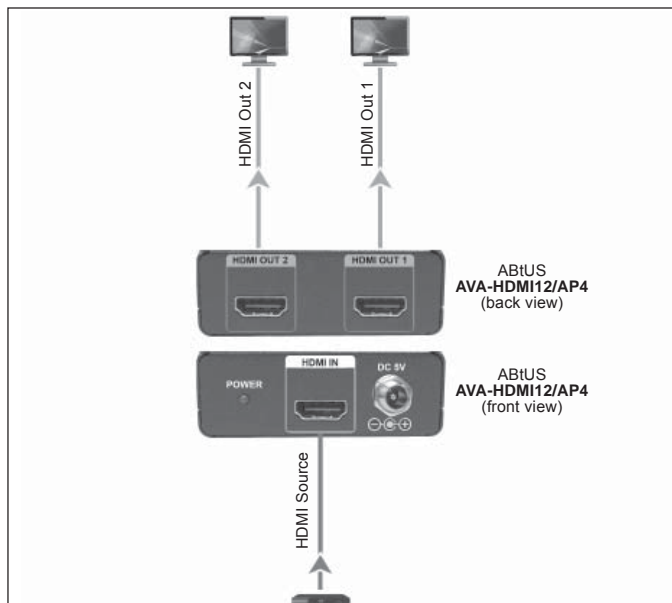
### FEATURES

- Support Full HD 3D (1080p)
- HDMI Version 1.4A
- Support single link resolution from 2560 × 1600 to 4096 × 2160 @ 60Hz
- Support automatic EDID

### TECHNICAL SPECIFICATION

INPUT:	1 × HDMI (*Type A 19pin female)
OUTPUT:	2 × HDMI (*Type A 19pin female)
HDMI COMPLIANCE:	1080p 60Hz version 1.4
DVI COMPLIANCE:	DVI 1.1
HDCP COMPLIANCE:	Yes
VIDEO BANDWIDTH:	Single-link 225MHz [9 Gbps]
VIDEO SUPPORT:	2560 × 1600 to 4096 × 2160, Full HD 3D & 1080p @60Hz 36-bit color
AUDIO SUPPORT:	Surround Sound (up to 7.1ch) or Stereo digital Audio
AUDIO RETURN CHANNEL:	No
ETHERNET CHANNEL:	No
TRANSMITTER RANGE:	Full HD (1080p) up to 15m (*AWG 24 HDMI cable)
INPUT TMDS SIGNAL:	1.3 Volts [peak-to-peak]
INPUT DDC SIGNAL:	5 Volts [peak-to-peak, TTL]
ESD PROTECTION:	[1] Human body model - ±15kV [air-gap discharge] & ±15kV [contact discharge] [2] Core chipset - ±15Kv
PCB STACK-UP:	6-layer board impedance control-different 100ohm; Single 50ohm
POWER SUPPLY:	5V DC 1.2
OPERATION TEMPERATURE:	0~40°C [32~104°F]
STORAGE TEMPERATURE:	-20~60°C [-4~140°F]
RELATIVE HUMIDITY:	20~90% RH [no condensation]
HOUSING:	Metal
GROSS DIMENSION:	270 × 190 × 80 mm
GROSS WEIGHT:	570 g

\* Specifications are subject to change without notice.



### TYPICAL APPLICATIONS

Rental and Staging, Live Broadcast and Education application

# AVA-HDMI14/AP4

## 1:4 HDMI 1.4 DISTRIBUTION AMPLIFIER



### DESCRIPTION

The AVA-HDMI14/AP4 HDMI Distribution Amplifier provides the most cost effective and simple HDMI splitter solution in the market, Full HD Video and Audio can now be split and distributed to 4 different display with lossless quality. These DA also support Full HD 3D formats of HDMI 1.4A as well as resolution from 2560x1600 to 4096 x 2160 @ 60Hz.

With the upmost 30/36 bit deep color video and high defination audio support, these DA is suitable for high quality HDMI 1.4 broadcasting, digital signage and showroom applications.

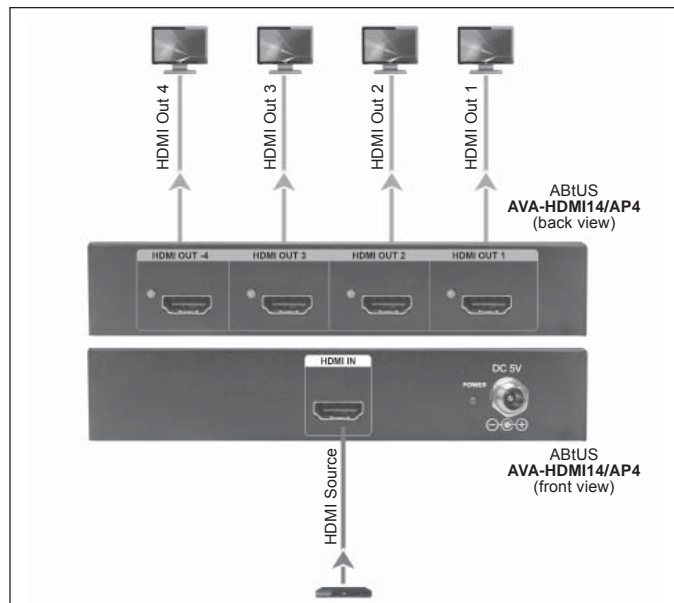
\*Note: It does not support ACR and Ethernet.

### FEATURES

- Support Full HD 3D (1080p)
- HDMI Version 1.4A
- Support single link resolution from 2560 × 1600 to 4096 × 2160 @ 60Hz
- Support automatic EDID

### TECHNICAL SPECIFICATION

INPUT:	1 × HDMI (*Type A 19pin female)
OUTPUT:	4 × HDMI (*Type A 19pin female)
HDMI COMPLIANCE:	1080p 60Hz version 1.4
DVI COMPLIANCE:	DVI 1.1
HDCP COMPLIANCE:	Yes
VIDEO BANDWIDTH:	Single-link 225MHz [9 Gbps]
VIDEO SUPPORT:	2560 × 1600 to 4096 × 2160, Full HD 3D & 1080p @60Hz 36-bit color
AUDIO SUPPORT:	Surround Sound (up to 7.1ch) or Stereo digital Audio
AUDIO RETURN CHANNEL:	No
ETHERNET CHANNEL:	No
TRANSMITTER RANGE:	Full HD (1080p) up to 15m (*AWG 24 HDMI cable)
INPUT TMD5 SIGNAL:	1.3 Volts [peak-to-peak]
INPUT DDC SIGNAL:	5 Volts [peak-to-peak, TTL]
ESD PROTECTION:	[1] Human body model - ±15kV [air-gap discharge] & ±15kV [contact discharge] [2] Core chipset - ±15Kv
PCB STACK-UP:	6-layer board impedance control-different 100ohm; Single 50ohm
POWER SUPPLY:	5V DC 1.2
OPERATION TEMPERATURE:	0~40°C [32~104°F]
STORAGE TEMPERATURE:	-20~60°C [-4~140°F]
RELATIVE HUMIDITY:	20~90% RH [no condensation]
HOUSING:	Metal
GROSS DIMENSION:	270 × 190 × 80 mm
GROSS WEIGHT:	570 g



### TYPICAL APPLICATIONS

Rental and Staging, Live Broadcast and Education application

\* Specifications are subject to change without notice.

**ABTUS**

# AVS-HDMI21/AP4

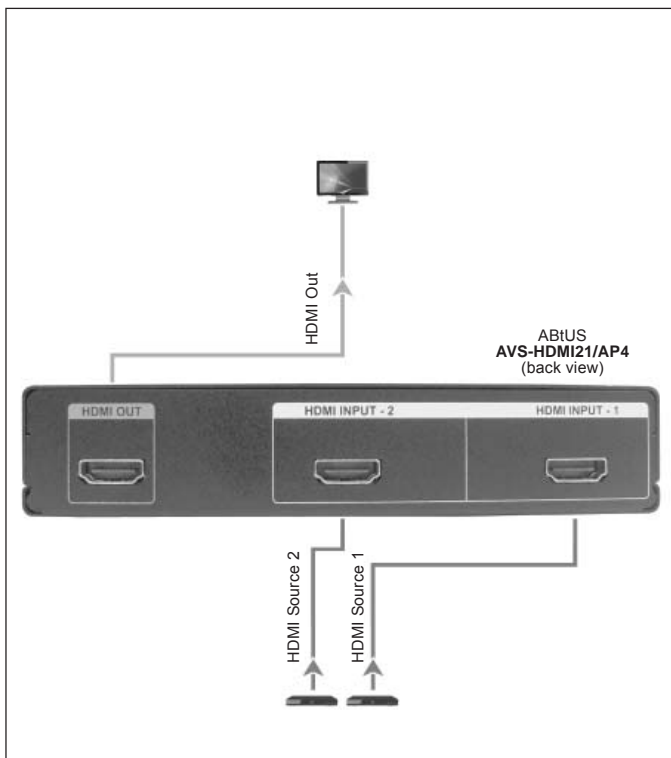
## 2:1 HDMI SWITCHER [\*V1.4]



### DESCRIPTION

The ABtUS AVS-HDMI21/AP4 HDMI Switcher provides the most cost effective and simple HDMI switching solution in the market. Full HD Video and Audio can now be switched from 2 different display with lossless quality. The switcher also support all Full HD 3D formats of HDMI 1.4A as well as resolution from 2560 x 1600 to 4096 x 2160 @ 60 Hz.

With the upmost 30/36 bit deep color video and high defination audio support, this switcher is suitable for high quality HDMI 1.4 broadcasting, digital signage and showroom applications.



### TYPICAL APPLICATIONS

The ABtUS AVS-HDMI21/AP4 is part of the ABtUS series of high quality, high bandwidth and cost effective Distribution Amplifiers designed specially for professional installers. ABtUS products can be found in industrial, commercial retail and home applications like:

- Production Studios • Rental and Staging • Home Theatres • Live Broadcast or Presentation Applications

### FEATURES

- Full HD 1080p
- HDMI Version 1.4A, support Full 1080p 3D
- Support single link resolution from 2560 × 1600 to 4096 × 2160 @ 60Hz
- Support 30/36 bit deep color

### TECHNICAL SPECIFICATION

INPUT:	2 × HDMI (*Type A 19pin female)
OUTPUT:	1 × HDMI (*Type A 19pin female)
CONTROL PORT:	RS-232
HDMI COMPLIANCE:	1080p 60Hz version 1.4A
HDCP COMPLIANCE:	Yes
VIDEO BANDWIDTH:	Single-link 225 MHz (9Gbps)
VIDEO SUPPORT:	2560 × 1600 to 4096 × 2160, Full HD 3D & 1080p@60Hz 36-bit color
AUDIO SUPPORT:	Surround Sound (up to 7.1ch) or Stereo Digital Audio
AUDIO RETURN CHANNEL:	No
ETHERNET CHANNEL:	No
TRANSMITTER RANGE:	Full HD (1080p) up to 15m (*AWG 24 HDMI cable)
INPUT DCC SIGNAL:	5 Volts (peak to peak, TTL)
ESD PROTECTION:	[1] Human body model - ±15kV [air-gap discharge] & ±15kV [contact discharge] [2] Core chipset - ±15Kv
PCB STACK-UP:	6-layer board impedance control-different 100ohm; Single 50ohm
POWER SUPPLY:	5V DC 1.2A
OPERATION TEMPERATURE:	0~40°C [32~104°F]
STORAGE TEMPERATURE:	-20~60°C [-4~140°F]
RELATIVE HUMIDITY:	20~90% RH [no condensation]
HOUSING:	Metal Enclosure
GROSS DIMENSION:	260 × 180 × 80 mm
GROSS WEIGHT:	650g

\* Specifications are subject to change without notice.

# AVS-HDMI41

## 4:1 HDMI SWITCHER

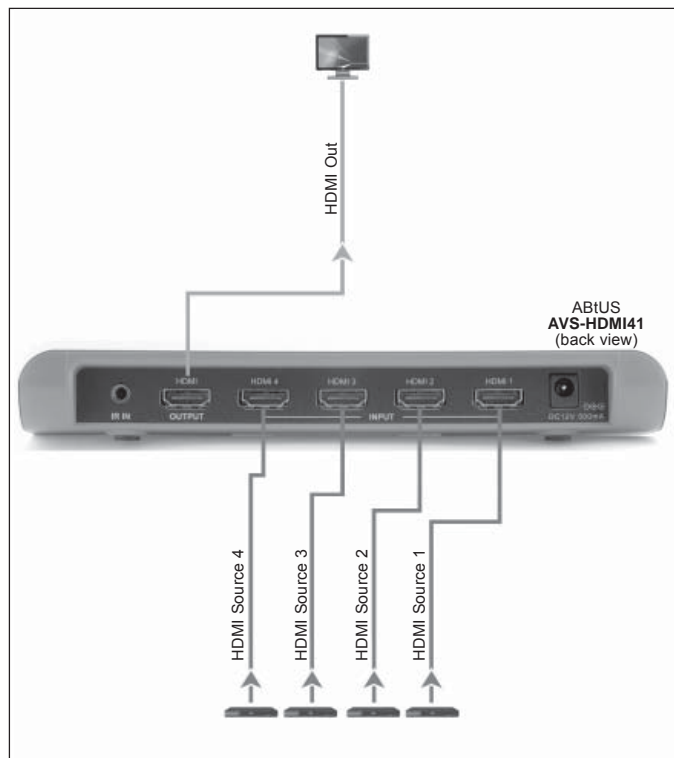


### DESCRIPTION

The ABtUS AVS-HDMI41 is a high quality 4 Input 1 output switcher for HDMI signal. With ABtUS AVS-HDMI21, you can connect up to 4 HDMI input devices (e.g. DVD Player, Satellites Receivers) to a single HDMI Output.

### FEATURES

- 4 selectable HDMI inputs
- Gain Control 0dB, 2dB, 4dB or 6dB
- Easy Installation



### TYPICAL APPLICATIONS

The ABtUS AVS-HDMI41 is part of the ABtUS series of high quality, high bandwidth and cost effective Distribution Amplifiers designed specially for professional installers. ABtUS products can be found in industrial, commercial retail and home applications like:

- Production Studios • Rental and Staging • Home Theatres • Live Broadcast or Presentation Applications

### TECHNICAL SPECIFICATION

INPUT:	4 × HDMI Female connector
OUTPUT:	1 × HDMI Female connector
HDMI VERSION:	1.3
BANDWIDTH:	1.65 GHz
MAX RESOLUTION:	Full 1080p
IR COM PORT:	1 × 3.5mm connector
CABLE LENGTH (INPUT):	Up to 15 meter (*Depending on cable rating)
CABLE LENGTH (OUTPUT):	Up to 15 meter (*Depending on cable rating)
HOUSING:	ABS
ACCESSORIES:	AC-DC Power Adaptor 12V-DC, 500mA and Remote controller
POWER SOURCE:	12V-DC, 500mA
GROSS DIMENSION:	360 × 430 × 58 mm
GROSS WEIGHT:	770 g

\* Specifications are subject to change without notice.

**ABtUS**



# AVS-HDMI81

## 8:1 HDMI SWITCHER

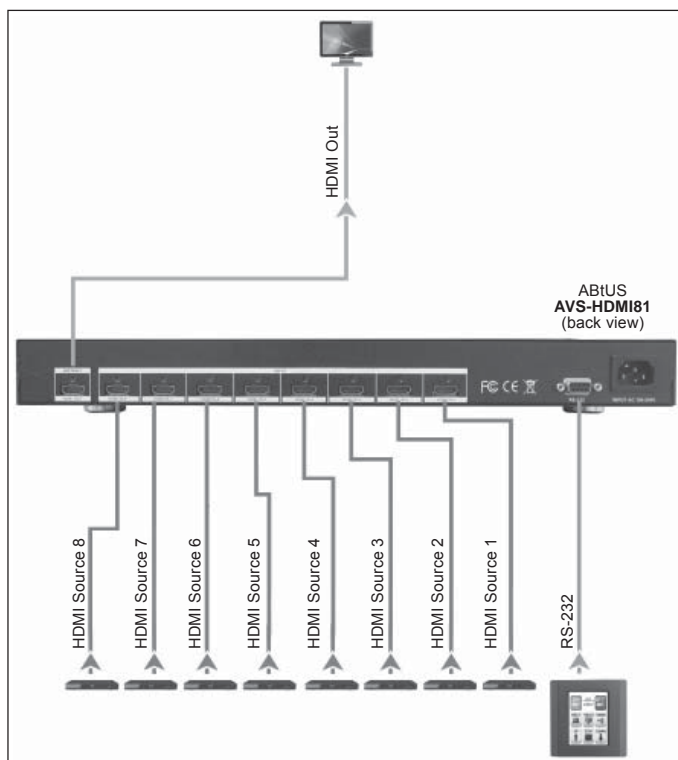


### DESCRIPTION

The ABtUS AVS-HDMI81 is a high quality 8 Input 1 output switcher for HDMI signal. With ABtUS AVS-HDMI81, you can connect up to 8 HDMI input devices (e.g. DVD Player, Satellites Receivers) to a single HDMI Output.

### FEATURES

- 8 selectable HDMI inputs
- Easy Installation
- Inputs Gain Control : 0dB, 6dB or 12dB
- Outputs Gain Control : 0dB, 6dB or 12dB



### TYPICAL APPLICATIONS

The ABtUS AVS-HDMI81 is part of the ABtUS series of high quality, high bandwidth and cost effective Distribution Amplifiers designed specially for professional installers. ABtUS products can be found in industrial, commercial retail and home applications like:

- Production Studios • Rental and Staging • Home Theatres • Live Broadcast or Presentation Applications

### TECHNICAL SPECIFICATION

INPUT:	8 × HDMI Female connector
OUTPUT:	1 × HDMI Female connector
HDMI VERSION:	1.3
BANDWIDTH:	1.65 GHz
MAX RESOLUTION:	Full 1080p
COM PORT:	1 × 9 pin D-Sub Female connector
CABLE LENGTH (INPUT):	Up to 15 meter (*Depending on cable rating)
CABLE LENGTH (OUTPUT):	Up to 15 meter (*Depending on cable rating)
HOUSING:	Metal
ACCESSORIES:	Power cord and Remote controller
POWER SOURCE:	100 to 240 VAC, 50/60Hz
GROSS DIMENSION:	532 × 370 × 76 mm
GROSS WEIGHT:	4 kg

\* Specifications are subject to change without notice.

# AVA-DVI12/2A

## 1:2 DVI-D / STEREO AUDIO DISTRIBUTION AMPLIFIER

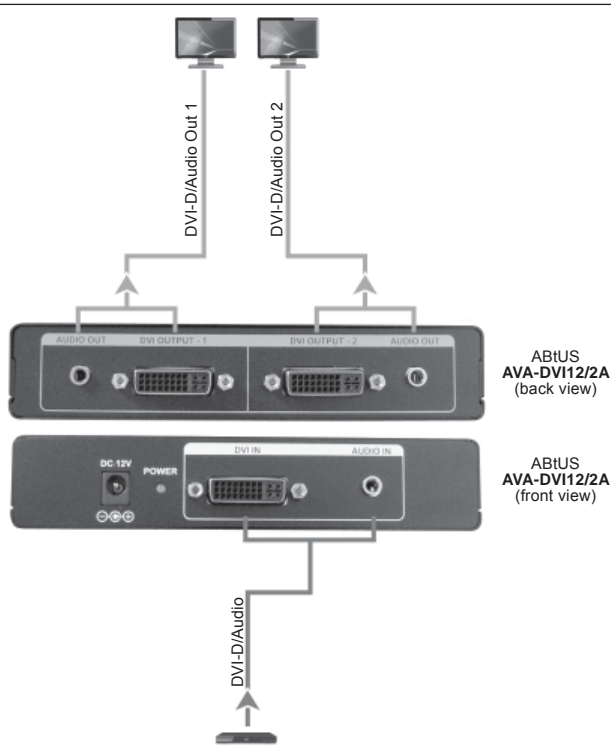


### DESCRIPTION

The ABtUS AVA-DVI12/2A is high performance distribution hub that sends the same DVI-D graphics source with Audio up to 2 DVI-D digital displays (Plasma, LCD flat panels or projectors). It is a simple solution that accommodates multiple digital video displays with Audio to deliver accurate, precise and reliable reproduction of any digital video signal including television signals

### FEATURES

- Connects up to 2 HDTV displays at the same time from the same video source.
- Extends any DVI (Digital Visual Interface) compliant device up to 15 meter from the computer.
- Allows simultaneous display at local and/or remote locations.
- Support high-resolution display up to UXGA
- Compliant with the specification of DVI 1.0



### TYPICAL APPLICATIONS

Any integration that required simple and cost effective HDMI over fiber optic extender solution

- Schools (Lab, Hall etc.) • Churches • Corporate Applications (Function Room)
- Rental • Home

### TECHNICAL SPECIFICATION

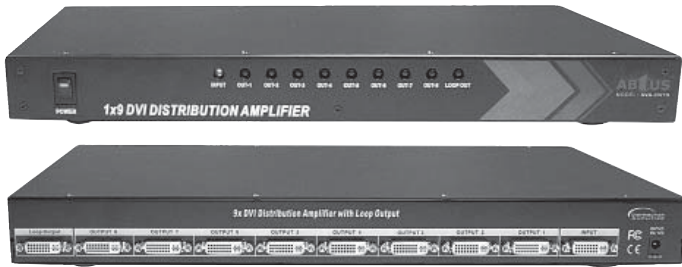
INPUT :	1 × DVI-I 1 × 3.5mm mini jack
OUTPUT:	2 × DVI-I 2 × 3.5mm mini jack
ROLE OF USAGE:	1 Input 2 Output Distribution Amplifier
VIDEO BANDWIDTH:	Single-link 225MHz
VIDEO SUPPORT:	1600 × 1200@60Hz
SIGNAL TYPE:	VGA, SVGA, XGA to UXGA, Multi Sync
AUDIO SUPPORT:	Stereo Audio
PCB STACK-UP:	4-layer board [impedance control — differential 100W; single 50W]
DVI CONNECTOR:	DVI-I [29 pin female digital only]
AUDIO CONNECTOR:	Stereo 3.5mm min jack
POWER SUPPLY:	12V DC 500mA
STORAGE TEMPERATURE:	-20 ~ 60°C
OPERATING TEMPERATURE:	0 ~ 40°C
OPERATING TEMPERATURE:	20 ~ 90% RH [no condensation]
GROSS DIMENSION:	270 × 185 × 77 mm
GROSS WEIGHT:	620 g

\* Specifications are subject to change without notice.

**ABtUS**

# AVA-DV19

## 1:9 DVI-D DISTRIBUTION AMPLIFIER

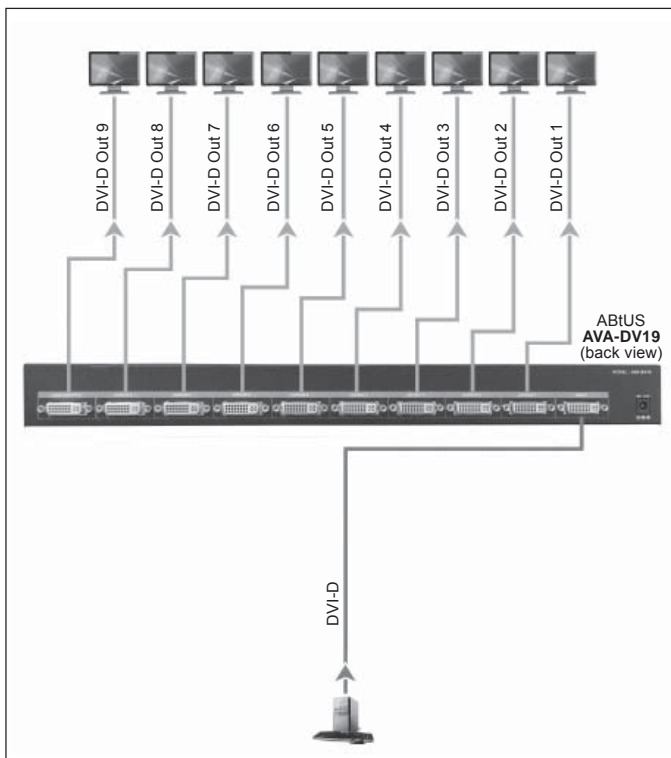


### DESCRIPTION

The ABtUS AVA-DV19 is a high quality 1 Input, 9 output distribution amplifiers for DVI digital video signals. From a computer's DVI source, AVA-DV19 distributes up to 9 DVI Digital Display devices (Projectors, Plasmas and LCD monitors) with excellent identical reproduction.

### FEATURES

- With the special built in front panel LED indicators for cable and signals detection, installation and troubleshooting has never been easier. Capable of handling VGA-UXGA resolutions, it can support a cable run of up to 20m from any DVI-D source.



### TYPICAL APPLICATIONS

The AVA-DV19 is part of the ABtUS series of high quality, high bandwidth and cost effective Distribution Amplifiers designed specially for professional installers. ABtUS products can be found in industrial, commercial retail and home applications like:

- Schools • Training rooms • Broadcast and duplication studios • Workstation environments • Retail showrooms • CCTV and surveillance • Multipurpose Hall

### TECHNICAL SPECIFICATION

INPUT:	1 × DVI-D Female connector
OUTPUT:	9 × DVI-D Female connector
DVA I/O:	DVI-D
BANDWIDTH (-3dB):	25MHz ~ 165MHz
MAX RESOLUTION:	1920 × 1200 or Full 1080p
CABLE LENGTH (INPUT):	1 to 3 meter
CABLE LENGTH (OUTPUT):	Up to 20 meter (*Depending on cable rating)
HOUSING:	Metal
ACCESSORIES:	AC-DC Power Adaptor 12V-DC, 1.5A
POWER SOURCE:	12V-DC, 1.5A
GROSS DIMENSION:	532 × 37 × 75 mm
GROSS WEIGHT:	4 kg

\* Specifications are subject to change without notice.

# MAX-GA33A/P

## 3X3 VGA/STEREO AUDIO MATRIX SWITCHERS

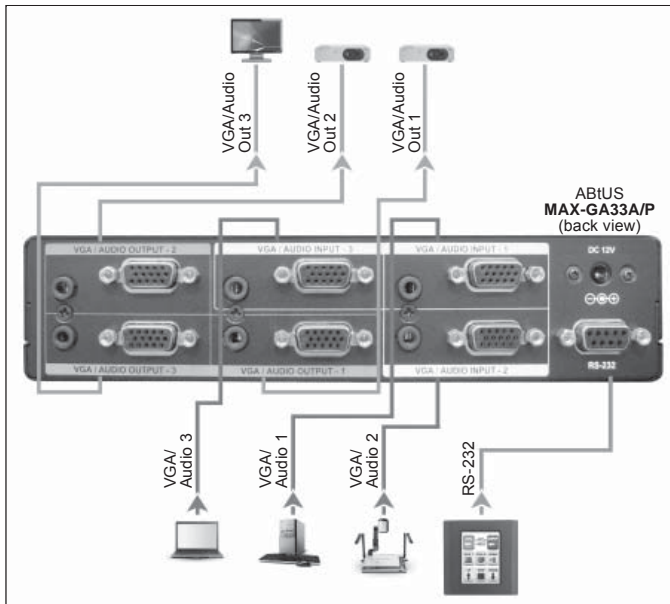


### DESCRIPTION

The ABtUS MAX-GA33A/P receives and amplifies up to 3 VGA/Audio inputs, perfectly switches the desired input to any three VGA equipped monitor or projector which enables the broadcast of multiple VGA/Stereo Audio outputs to multiple displays. Any one of the inputs can now be broadcasted to any one or all of the outputs without introducing noticeable video quality distortion.

The Matrix supports VGA video bandwidth up to a total of 900MHz (R+G+B) which support the longest transmission up to 50 meters. Therefore, MAX-GA33A/P offers the most convenient and cost effective means for swift switch of high quality PC graphic with crystal clear audio in the market.

With RS-232 equipped, switching through front panel push button or with an external touch control system as shown and control becomes versatile and easier.



### TYPICAL APPLICATIONS

Any Projection or display system that required broadcasting of multiple computer's audio and video outputs to multiple displays:

- Schools (Lab, hall & etc)
- Churches
- Cooperate (Function Room)
- Rental
- Exhibition
- Shown room

**\*\*Note:** Because the quality of the cables has the major effect on how long the transmission limit can achieve and how good is the received picture quality, the actual transmission range is subject to one's choice of cables.

### FEATURES

- High bandwidth up to 900MHz (R+G+B)
- Front panel button control
- Compatible formats: RGB, YPbPr or RGBHV
- RS-232 I/O allows control from any third party central control system

### TECHNICAL SPECIFICATION

	Signal Type	Connector Type
INPUT:	3 × VGA	15pin D-Sub female
	3 × Stereo Audio	3.5mm mini jack
OUTPUT:	3 × VGA	15pin D-Sub female
	3 × Stereo Audio	3.5mm mini jack
CONTROL PORT:	1 × RS-232	9pin D-Sub female
VIDEO BANDWIDTH:	900 MHz (R+G+B)	
VIDEO SUPPORT:	UXGA (1600 × 1200 @60)	
AUDIO SUPPORT:	Analog Stereo	
POWER SUPPLY:	12V DC 1A	
OPERATION TEMPERATURE:	0~40°C [32~104°F]	
STORAGE TEMPERATURE:	20~60°C [-4~140°F]	
RELATIVE HUMIDITY:	20~90%RH [no condensation]	
GROSS DIMENSION:	360 × 242 × 75 mm	
GROSS WEIGHT:	2 kg	

\* Specifications are subject to change without notice.

**ABtUS**

# MAX-GA42A/P

## 4X2 VGA/STEREO AUDIO MATRIX SWITCHERS

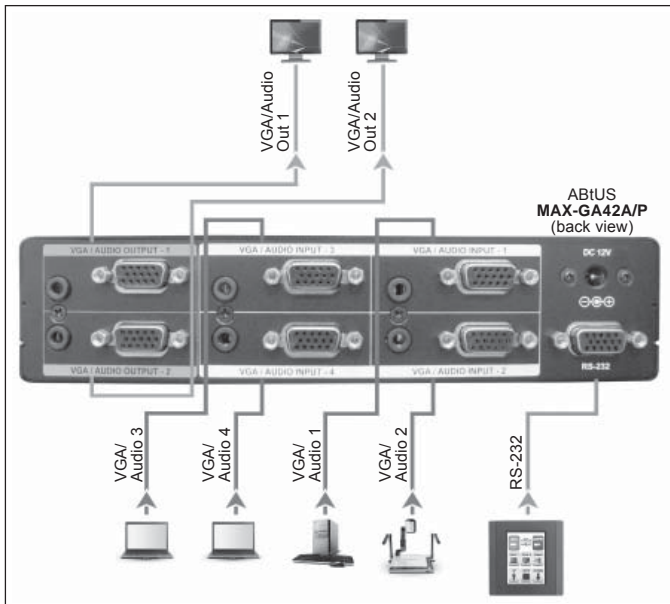


### DESCRIPTION

The ABTUS MAX-GA42A/P receives and amplifies up to 4 VGA/Audio inputs, perfectly switches the desired input to any four VGA equipped monitor or projector which enables the broadcast of multiple VGA/Stereo Audio outputs to multiple displays. Any one of the inputs can now be broadcasted to any one or all of the outputs without introducing noticeable video quality distortion.

The Matrix supports VGA video bandwidth up to a total of 900MHz (R+G+B) which support the longest transmission up to 50 meters. Therefore, MAX-GA42A/P offers the most convenient and cost effective means for swift switch of high quality PC graphic with crystal clear audio in the market.

With RS-232 equipped, switching through front panel push button or with an external touch control system as shown and control becomes versatile and easier.



### TYPICAL APPLICATIONS

Any Projection or display system that required broadcasting of multiple computer's audio and video outputs to multiple displays:

- Schools (Lab, hall & etc) • Churches • Cooperate (Function Room) • Rental • Exhibition
- Shown room

**\*\*Note:** Because the quality of the cables has the major effect on how long the transmission limit can achieve and how good is the received picture quality, the actual transmission range is subject to one's choice of cables.

### FEATURES

- High bandwidth up to 900MHz (R+G+B)
- Front panel button control
- Compatible formats: RGB, YPbPr or RGBHV
- RS-232 I/O allows control from any third party central control system

### TECHNICAL SPECIFICATION

	Signal Type	Connector Type
INPUT:	4 × VGA 4 × Stereo Audio	15pin D-Sub female 3.5mm mini jack
OUTPUT:	2 × VGA 2 × Stereo Audio	15pin D-Sub female 3.5mm mini jack
CONTROL PORT:	1 × RS-232	9pin D-Sub female
VIDEO BANDWIDTH:	900 MHz (R+G+B)	
VIDEO SUPPORT:	UXGA (1600 × 1200 @60)	
AUDIO SUPPORT:	Analog Stereo	
POWER SUPPLY:	12V DC 1A	
OPERATION TEMPERATURE:	0~40°C [32~104°F]	
STORAGE TEMPERATURE:	20~60°C [-4~140°F]	
RELATIVE HUMIDITY:	20~90%RH [no condensation]	
GROSS DIMENSION:	360 × 243 × 80 mm	
GROSS WEIGHT:	2 kg	

\* Specifications are subject to change without notice.

# MAX-GA84A/P

## 8X4 VGA/STEREO AUDIO MATRIX SWITCHERS

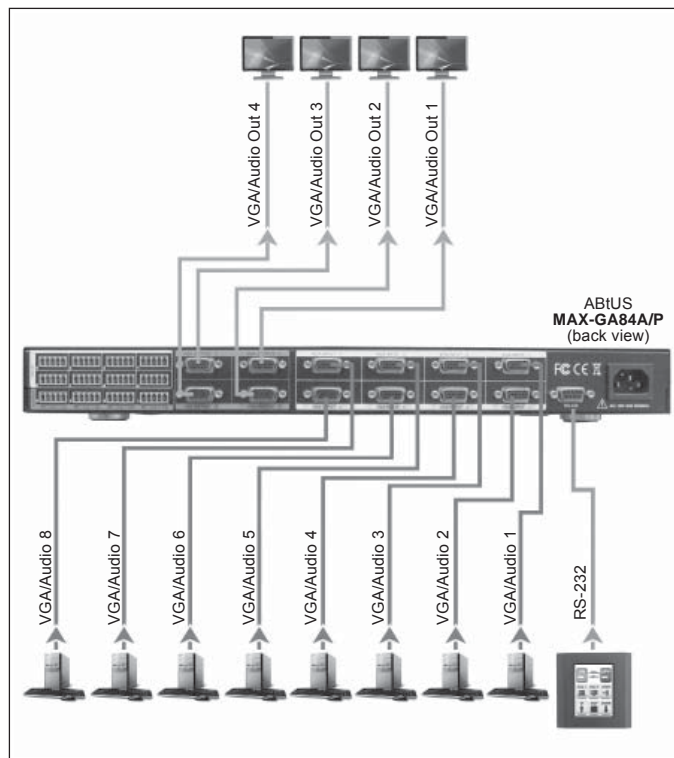


### DESCRIPTION

The ABtUS MAX-GA84A/P Matrix is specially designed for computer and workstation applications. Up to 8 VGA/SVGA/XGA/UXGA graphic input can be split or route to any 1 or up to 4 output with no discernible signal degradation. State-of-the-art power management circuitry makes MAX-GA84/AP the first choice signal distributor. With its high signal bandwidth of 900MHz identical high defined output can be achieved throughout.

### FEATURES

- With the 8 Input arrangements, any of the 8 video/audio sources can now be the selectively amplified and distributed with high transparency even for high-resolution VGA modes like UXGA to any of the 4 display panels. It is ideal for presentation systems requiring 8 VGA sources with a local monitor and/or up to 4 different display units.
- Compatible with all monitors, projectors, HDTVs and flat panel displays



### TYPICAL APPLICATIONS

The MAX-GA84A/P is part of the ABtUS series of high quality, high bandwidth and cost effective Distribution Amplifiers and Switchers designed specially for professional installers. ABtUS products can be found in industrial, commercial, educational, military and government applications like:

- Schools • Training rooms • Broadcast and duplication studios • Workstation environments
- Retail showrooms • CCTV and surveillance • Multipurpose Hall

### TECHNICAL SPECIFICATION

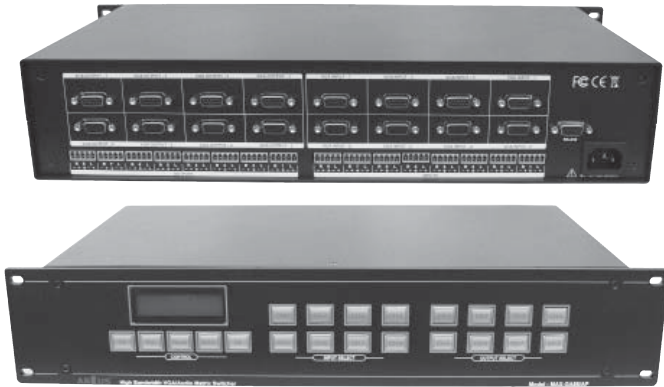
INPUT:	8 × VGA D-Sub 15 pin Female connector, 8 × 3.5mm block connector for balance/ un-balance audio
OUTPUT:	4 × VGA D-Sub 15 pin Female connector, 4 × 3.5mm block connector for balance/ un-balance audio
COM PORT:	1 × 9 pin D-Sub Female connector
BANDWIDTH:	(-3dB) 900MHz
MAX RESOLUTION:	1600 × 1200
SIGNAL TYPE:	VGA, SVGA, XGA, UXGA, Multi sync
CABLE LENGTH (INPUT):	1 to 3 meter
CABLE LENGTH (OUTPUT):	1 to 50 meter (*Depending on cable rating)
HOUSING:	Metal
ACCESSORIES:	Power cord
POWER SOURCE:	100 to 240 VAC, 50/60Hz
GROSS DIMENSION:	533 × 370 × 80 mm
GROSS WEIGHT:	5 kg

\* Specifications are subject to change without notice.

**ABtUS**

# MAX-GA88A/P

## 8X8 VGA/STEREO AUDIO MATRIX SWITCHERS

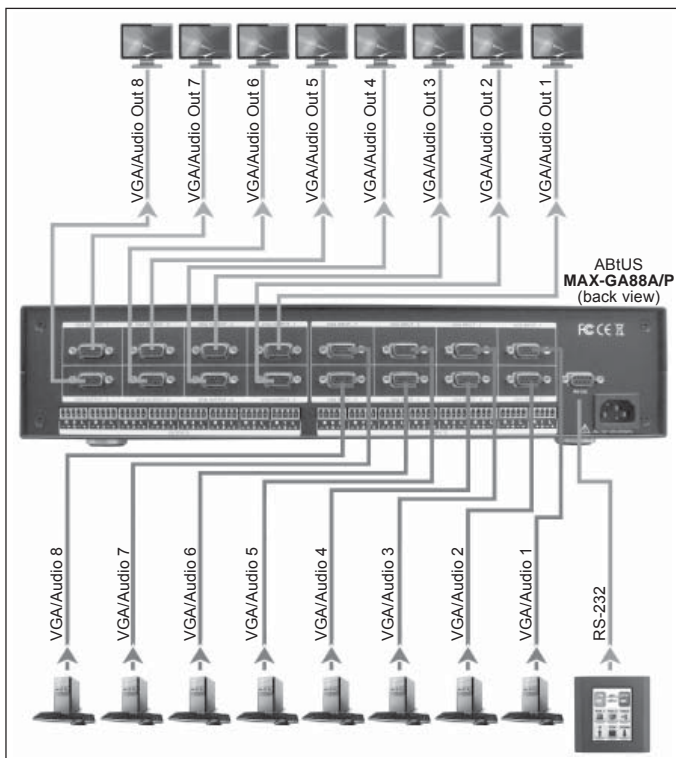


### DESCRIPTION

The AbTUS MAX-GA88A/P Matrix is specially designed for computer and workstation applications. Up to 8 VGA/SVGA/XGA/UXGA graphic input can be split or route to any 1 or up to 8 output with no discernible signal degradation. State-of-the-art power management circuitry makes MAX-GA88A/P the first choice signal distributor. With its high signal bandwidth of 900MHz identical high defined output can be achieved throughout.

### FEATURES

- With the 8 Input arrangements, any of the 8 video/audio sources can now be selectively amplified and distributed with high transparency even for high-resolution VGA modes like UXGA to any of the 8 display panels. It is ideal for presentation systems requiring 8 VGA sources with a local monitor and/or up to 8 different display units.
- Compatible with all monitors, projectors, HDTVs and flat panel displays



### TYPICAL APPLICATIONS

The MAX-GA88A/P is part of the AbTUS series of high quality, high bandwidth and cost effective Distribution Amplifiers and Switchers designed specially for professional installers. AbTUS products can be found in industrial, commercial, educational, military and government applications like:

- Schools • Training rooms • Broadcast and duplication studios • Workstation environments
- Retail showrooms • CCTV and surveillance • Multipurpose Hall

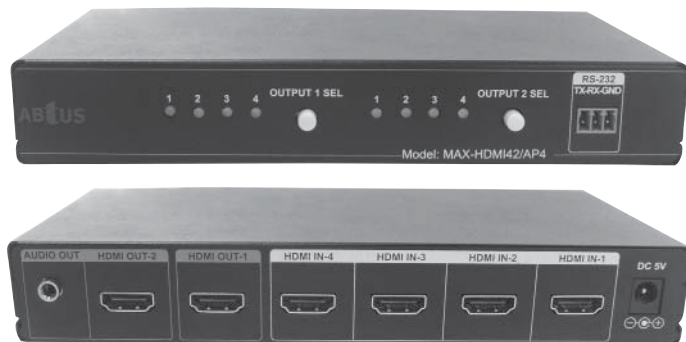
### TECHNICAL SPECIFICATION

INPUT:	8 × VGA D-Sub 15 pin Female connector, 8 × 3.5mm block connector for balance/ un-balance audio
OUTPUT:	8 × VGA D-Sub 15 pin Female connector, 8 × 3.5mm block connector for balance/ un-balance audio
COM PORT:	1 × 9 pin D-Sub Female connector
BANDWIDTH:	(-3dB) 900MHz
MAX RESOLUTION:	1600 × 1200
SIGNAL TYPE:	VGA, SVGA, XGA, UXGA, Multi sync
CABLE LENGTH (INPUT):	1 to 3 meter
CABLE LENGTH (OUTPUT):	1 to 50 meter (*Depending on cable rating)
HOUSING:	Metal
ACCESSORIES:	Power cord
POWER SOURCE:	100 to 240 VAC, 50/60Hz
GROSS DIMENSION:	570 × 390 × 230 mm
GROSS WEIGHT:	6 kg

\* Specifications are subject to change without notice.

# MAX-HDMI42/AP4

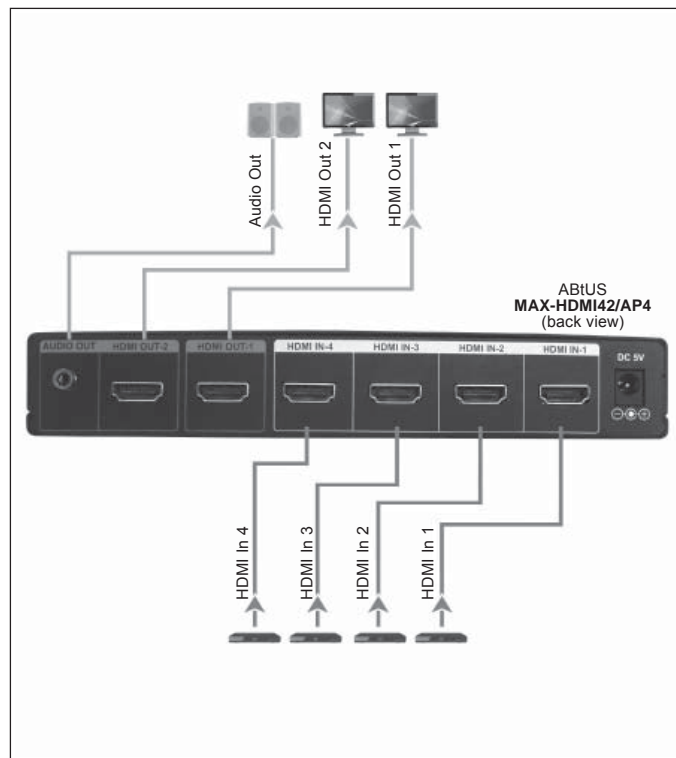
## 4:2 HDMI MATRIX [\*V1.4]



### DESCRIPTION

The ABTUS MAX-HDMI42/AP4 HDMI Matrix provides the most cost effective and simple HDMI matrix solution in the market. Full HD Video and Audio can now be switched from 4 different display with lossless quality. The matrix also support all Full HD 3D formats of HDMI 1.4A as well as resolution from 2560 × 1600 to 4096 × 2160 @ 60 Hz.

With the upmost 30/36 bit deep color video and high defination audio support, this switcher is suitable for high quality HDMI 1.4 broadcasting, digital signage and showroom applications.



### TYPICAL APPLICATIONS

The ABTUS MAX-HDMI42/AP4 is part of the ABTUS series of high quality, high bandwidth and cost effective Distribution Amplifiers designed specially for professional installers. ABTUS products can be found in industrial, commercial retail and home applications like:

- Production Studios • Rental and Staging • Home Theatres • Live Broadcast or Presentation Applications

### FEATURES

- Full HD 1080p
- HDMI Version 1.4A, support Full 1080p 3D
- Support single link resolution from 2560 × 1600 to 4096 × 2160 @ 60Hz
- Support 30/36 bit deep color

### TECHNICAL SPECIFICATION

INPUT:	4 × HDMI (*Type A 19pin female)
OUTPUT:	2 × HDMI (*Type A 19pin female)
CONTROL PORT:	RS-232
HDMI COMPLIANCE:	1080p 60Hz version 1.4A
HDCP COMPLIANCE:	Yes
VIDEO BANDWIDTH:	Single-link 225 MHz
VIDEO SUPPORT:	2560 × 1600 to 4096 × 2160, Full HD 3D & 1080p@60Hz 36-bit color
AUDIO SUPPORT:	Surround Sound (up to 7.1ch) or Stereo Digital Audio
AUDIO RETURN CHANNEL:	No
ETHERNET CHANNEL:	No
TRANSMITTER RANGE:	Full HD (1080p) up to 15m (*AWG 24 HDMI cable)
INPUT DCC SIGNAL:	5 Volts (peak to peak, TTL)
ESD PROTECTION:	[1] Human body model - ±15kV [air-gap discharge] & ±15kV [contact discharge] [2] Core chipset - ±15kV
PCB STACK-UP:	6-layer board impedance control-different 100ohm; Single 50ohm
POWER SUPPLY:	5V DC 1.2A
OPERATION TEMPERATURE:	0~40°C [32~104°F]
STORAGE TEMPERATURE:	-20~60°C [-4~140°F]
RELATIVE HUMIDITY:	20~90% RH [no condensation]
HOUSING:	Metal Enclosure
GROSS DIMENSION:	320 × 242 × 50 mm
GROSS WEIGHT:	2 kg

\* Specifications are subject to change without notice.

**ABTUS**



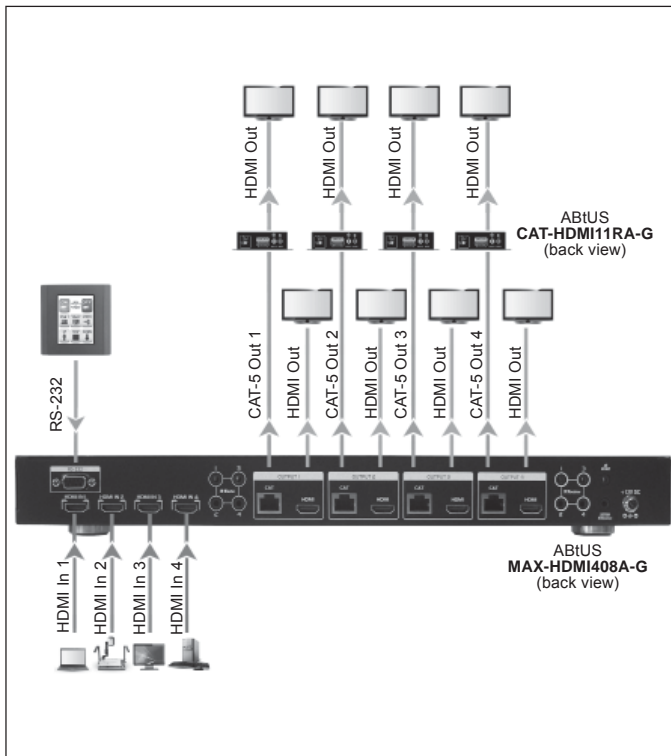
# MAX-HDMI408A-G

## 4 X 4 HDMI DEEP COLOR & FULL HD 3D OVER SINGLE CAT-5



### DESCRIPTION

The ABTUS MAX-HDMI408A-G 4x4 HDMI Deep Color & full 3D over single CAT-5 matrix with bi-directional IR provides the most flexible and cost effective solution in the market that route high definition video sources plus multi-channel (up to 7.1-channel) digital audio from any of the four HDMI sources to the remove displays at the same time. Thoroughly only one low cost CAT-5 cable, not only high quality video and audio can be transmitted to the display, users can also switch among four HDMI sources using the push-in button or remote control. Furthermore, the built-in IR extension function allows users to select the source from the display.



### TYPICAL APPLICATIONS

Any Projection or display system that required broadcasting of multiple HDMI outputs to multiple displays:

- Schools (Lab, Hall etc)
- Churches
- Corporate Applications (Function Room)
- Rental
- Exhibition
- Show room

### FEATURES

- Support HDMI Deep Color & full 3D
- HDCP compliant
- Allows any source to be displayed on multiple display at the same time
- Allows any HDMI display to view any HDMI source at any time
- Supports 7.1 channel digital audio
- Supports default HDMI EDID and learns the EDID of displays
- Bi-directional IR path
- Supports IR, RS-232 and Ethernet control
- Extends video signal up to 35m (115 feet) over single CAT-5 at 1080p
- Easy installation with rack-mounting and wall-mounting designs for transmitter and receiver respectively
- Fast response time - 2~5 seconds for channel switch

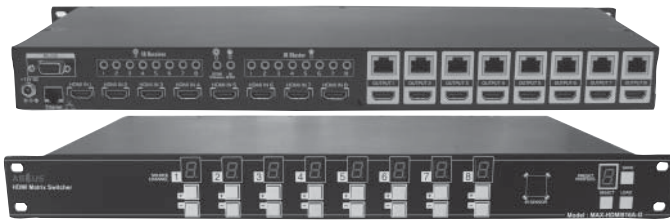
### TECHNICAL SPECIFICATION

	MAX-HDMI408A-G	CAT-HDMI11R-G
<b>INPUT:</b>	4 × HDMI 1 × RS-232 5 × IR Socket for IR receiver	1 × RJ-45 1 × IR Socket for IR receiver
<b>OUTPUT:</b>	4 × RJ-45 1 × HDMI 5 × IR Socket for IR blaster	1 × HDMI 1 × IR Socket for IR blaster
<b>HDMI INPUT SELECTION:</b>	Push-in button/ IR remote control RS-232 control	IR remote control
<b>HDMI SOURCE:</b>	Controllable via IR pass-through from IR receiver at RX to IR blaster at TX	
<b>IR REMOTR CONTROL:</b>	Electro-optical characteristics: $\tau = 25^\circ$ / Carrier frequency: 20~60kHz	
<b>HDMI CONNECTOR:</b>	Type A (19-pin female)	
<b>RJ45 CONNECTOR:</b>	WE/SS 8P8C with 2 LED indicators	
<b>RS-232 CONEECTOR:</b>	DE-9 [9-pin D-sub female]	
<b>3.5MM CONEECTOR:</b>	3.5mm jack for IR blaster	
<b>HDMI COMPLIANCE:</b>	HDMI Deep Color & Full 3D (Ver 1.3)	
<b>HDCP COMPLIANCE:</b>	Yes	
<b>VIDEO BANDWIDTH:</b>	Single-link 225MHz [6.75Gbps]	
<b>VIDEO SUPPORT:</b>	480i / 480p / 720p / 1080i / 1080p60 36 bit-color	
<b>AUDIO SUPPORT:</b>	Surround sound (up to 7.1 channel) or stereo digital audio	
<b>HDMI OVER CAT-5 TRANSMISSION RANGE:</b>	Full HD (1080p): 35m (115ft) CAT-5 HD (720p/1080i): 50m (165ft) CAT-5	
<b>HDMI EQUALIZATION:</b>	N/A	8-level digital rotary control Input TMDs
<b>SIGNAL:</b>	1.2 Volts [peak-to-peak]	
<b>INPUT DDC SIGNAL:</b>	5 Volts [peak-to-peak, TTL]	
<b>ESD PROTECTION:</b>	[1] Human body model — $\pm 19kV$ [air-gap discharge] & $\pm 12kV$ [contact discharge][2] Core chipset — $\pm 8kV$	
<b>PCB STACK-UP:</b>	4-layer board [impedance control — 100 $\Omega$ ; single 50 $\Omega$ ]	
<b>POWER SUPPLY:</b>	12V 5A DC	5V 2A DC
<b>POWER CONSUMPTION:</b>	20 Watts [max]	
<b>OPERATION TEMPERATURE:</b>	0~40°C [32~104°F]	
<b>STORAGE TEMPERATURE:</b>	-20~60°C [-4~140°F]	
<b>RELATIVE HUMIDITY:</b>	20~90% RH [no condensation]	
<b>FIXEDNESS:</b>	1RU rack-mount with ears wall hanging holes	Wall-mount with screws
<b>GROSS DIMENSION:</b>	530 × 370 × 80 mm	-
<b>GROSS WEIGHT:</b>	3.4 kg	-

\* Specifications are subject to change without notice.

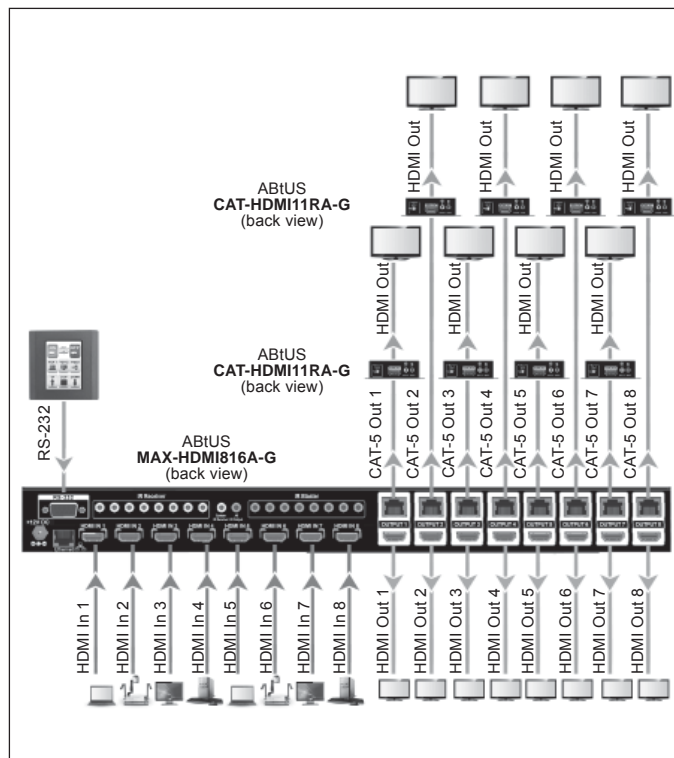
# MAX-HDMI816A-G

## 8 X 8 HDMI DEEP COLOR & FULL HD 3D OVER SINGLE CAT-5



### DESCRIPTION

The ABTUS MAX-HDMI816A-G 8x8 HDMI Deep Color & full 3D over single CAT-5 matrix with bi-directional IR provides the most flexible and cost effective solution in the market that route high definition video sources plus multi-channel (up to 7.1-channel) digital audio from any of the four HDMI sources to the remove displays at the same time. Throughly only one low cost CAT-5 cable, not only high quality video and audio can be transmitted to the display, users can also switch among four HDMI sources using the push-in button or remote control. Furthermore, the built-in IR extension function allows users to select the source from the display.



### TYPICAL APPLICATIONS

Any Projection or display system that required broadcasting of multiple HDMI outputs to multiple displays:

- Schools (Lab, Hall etc) • Churches • Corporate Applications (Function Room) • Rental • Exhibition • Shown room

### FEATURES

- Support HDMI Deep Color & full 3D
- HDCP compliant
- Allows any source to be displayed on multiple display at the same time
- Allows any HDMI display to view any HDMI source at any time
- Supports 7.1 channel digital audio
- Supports default HDMI EDID and learns the EDID of displays
- Bi-directional IR path
- Supports IR, RS-232 and Ethernet control
- Extends video signal up to 35m (115 feet) over single CAT-5 at 1080p
- Easy installation with rack-mounting and wall-mounting designs for transmitter and receiver respectively
- Fast response time - 2~5 seconds for channel switch

### TECHNICAL SPECIFICATION

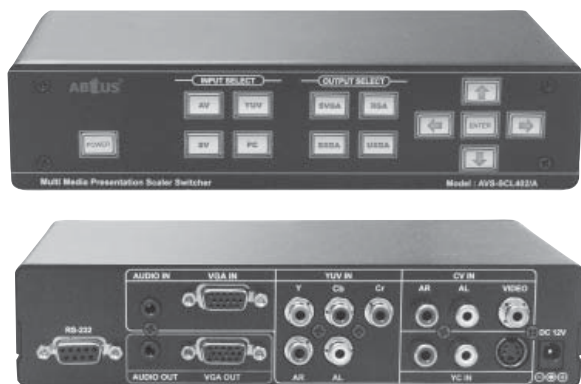
	MAX-HDMI816A-G	CAT-HDMI11RA-G
<b>INPUT:</b>	8 × HDMI 1 × RS-232 9 × IR Socket for IR receiver	1 × RJ-45 1 × IR Socket for IR receiver
<b>OUTPUT:</b>	8 × RJ-45 4 × HDMI 9 × IR Socket for IR blaster	1 × HDMI 1 × IR Socket for IR blaster
<b>HDMI INPUT SELECTION:</b>	Push-in button/ IR remote control RS-232 control	IR remote control
<b>HDMI SOURCE:</b>	Controllable via IR pass-through from IR receiver at RX to IR blaster at TX	
<b>IR REMOTR CONTROL:</b>	Electro-optical characteristics: τ = 25° / Carrier frequency: 20~60kHz	
<b>HDMI CONNECTOR:</b>	Type A (19-pin female)	
<b>RJ45 CONNECTOR:</b>	WE/SS 8P8C with 2 LED indicators	
<b>RS-232 CONEECTOR:</b>	DE-9 [9-pin D-sub female]	
<b>3.5MM CONEECTOR:</b>	3.5mm jack for IR blaster	
<b>HDMI COMPLIANCE:</b>	HDMI Deep Color & Full 3D (Ver 1.3)	
<b>HDCP COMPLIANCE:</b>	Yes	
<b>VIDEO BANDWIDTH:</b>	Single-link 225MHz [6.75Gbps]	
<b>VIDEO SUPPORT:</b>	480i / 480p / 720p / 1080i / 1080p60 36 bit-color	
<b>AUDIO SUPPORT:</b>	Surround sound (up to 7.1 channel) or stereo digital audio	
<b>HDMI OVER CAT-5 TRANSMISSION RANGE:</b>	Full HD (1080p): 35m (115ft) CAT-5 HD (720p/1080j): 50m (165ft) CAT-5	
<b>HDMI EQUALIZATION:</b>	N/A	8-level digital rotary control Input TMSD
<b>SIGNAL:</b>	1.2 Volts [peak-to-peak]	
<b>INPUT DDC SIGNAL:</b>	5 Volts [peak-to-peak, TTL]	
<b>ESD PROTECTION:</b>	[1] Human body model — ±19kV [air-gap discharge] & ±12kV [contact discharge][2] Core chipset — ±8kV	
<b>PCB STACK-UP:</b>	4-layer board [impedance control — 100Ω; single 50Ω]	
<b>POWER SUPPLY:</b>	12V 5A DC	5V 2A DC
<b>POWER CONSUMPTION:</b>	20 Watts [max]	
<b>OPERATION TEMPERATURE:</b>	0~40°C [32~104°F]	
<b>STORAGE TEMPERATURE:</b>	-20~60°C [-4~140°F]	
<b>RELATIVE HUMIDITY:</b>	20~90% RH [no condensation]	
<b>FIXEDNESS:</b>	1RU rack-mount with ears wall hanging holes	Wall-mount with screws
<b>GROSS DIMENSION:</b>	530 × 370 × 80 mm	-
<b>GROSS WEIGHT:</b>	3.6 kg	-

\* Specifications are subject to change without notice.

**ABTUS**

# AVS-SCL402/A

## 4:1X1 MULTIMEDIA PRESENTATION SCALER SWITCHER

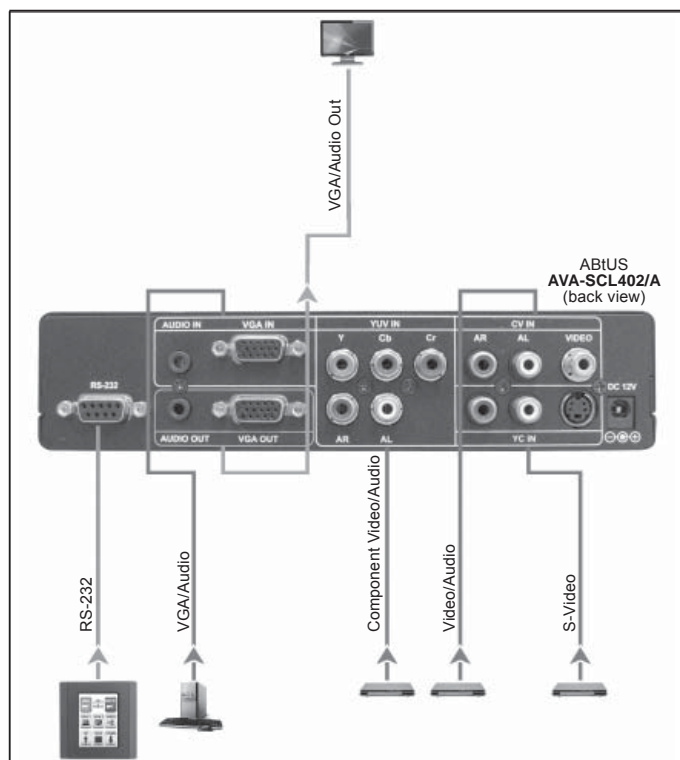


### DESCRIPTION

The ABtUS AVS-SCL402/A is a Pro-AV Scaler switcher that takes up to 4 different Video Input formats. It scales any Composite, S-Video (Y/C), Component Video (YUV) or computer graphics video signal up or down to a selectable graphics output resolution.

### FEATURES

- 3D Motion adaptive de-interlacing/interlacing
- 3D Noise reduction (NTSC/PAL)
- 3D Comb filter (NTSC/PAL)
- Film-mode detection 2:2/3:2 pull down
- Support RS232 control interface
- Image capturing memory switching technology
- Windows AP supported
- OSD full function control



### TYPICAL APPLICATIONS

Any professional presentation system requiring multiple AV Inputs of all different types of video standard to a standard video D-SUB 15 pin with RCA or 3.5mm audio output interface.

- Schools (Media Classrooms) • Churches • Corporate Applications (Meeting Rooms)

### TECHNICAL SPECIFICATION

**INPUTS:** 1 × 3 RCA (Composite Video/Audio)  
1 × 2 RCA, 1 × 4pin mini Din (S-Video/Audio)  
1 × 3 RCA, 1 × 2 RCA (Component Video/Audio)  
1 × 3.5mm mini stereo jack, 1 × D sub 15-pin (VGA/Audio)  
\*\*VGA is of pass through, hence No scaling

**OUTPUTS:** 1 × 3.5mm Mini Audio jack & D-Sub 15 pin

**COM PORT:** 1 × 9 pin D-Sub Female connector

**SELECTABLE OUTPUT RESOLUTION:** 640 × 480, 800 × 600, 1024 × 768, 1280 × 1024, 1600 × 1200-OSD, 1400 × 900-OSD, 1680 × 1050-OSD

**VGA OUTPUT TIMING:** 60Hz

**MAX RESOLUTION:** 1680 × 1050@60Hz

**CABLE LENGTH (INPUT):** 1 to 3 meter

**CABLE LENGTH (OUTPUT):** Up to 20 meter  
(\*Depending on the cable rating)

**MAIN VOLUME :** 32 steps digital volume control

**HOUSING:** Metal

**ACCESSORIES:** AC-DC Power Adaptor 12V-DC, 3A

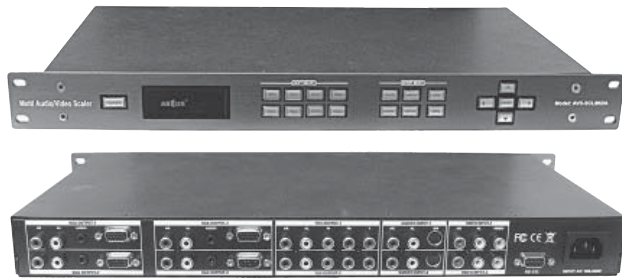
**GROSS DIMENSION:** 367 × 240 × 80 mm

**GROSS WEIGHT:** 2.2 kg

\* Specifications are subject to change without notice.

# AVS-SCL802/A

## 8:1X2 MULTIMEDIA PRESENTATION SCALER SWITCHER

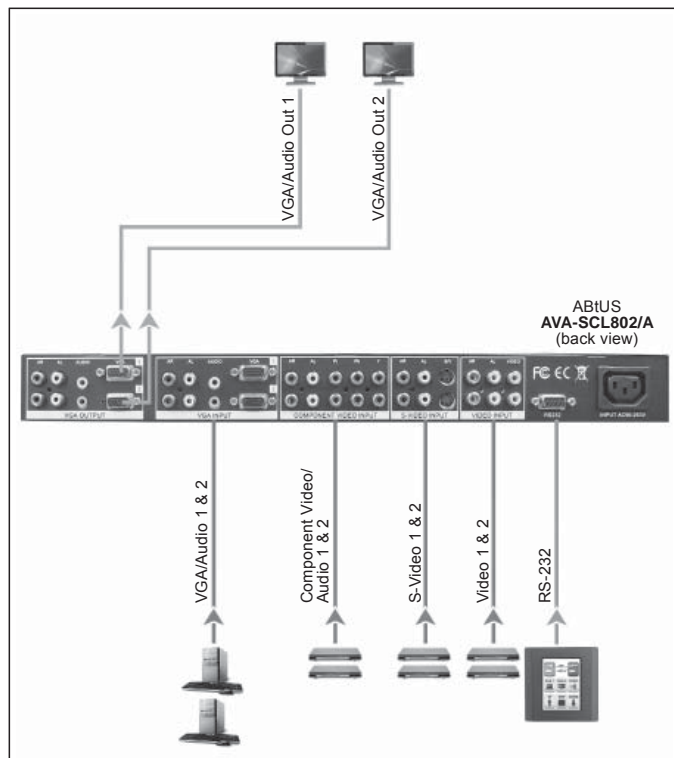


### DESCRIPTION

The ABtUS AVS-SCL802/A is a Pro-AV Scaler switcher that takes up to 8 different Video Input formats. It scales any Composite, S-Video (Y/C), Component Video (YUV) or computer graphics video signal up or down to a selectable graphics output resolution.

### FEATURES

- 3D Motion adaptive de-interlacing/interlacing
- 3D Noise reduction (NTSC/PAL)
- 3D Comb filter (NTSC/PAL)
- Film-mode detection 2:2/3:2 pull down
- Support Remote control
- Support RS232 control interface
- Image capturing memory switching technology
- Windows AP supported
- OSD full function control



### TYPICAL APPLICATIONS

Any professional presentation system requiring multiple AV Inputs of all different types of video standard to a standard video D-SUB 15 pin with RCA or 3.5mm audio output interface.

- Schools (Media Classrooms) • Churches • Corporate Applications (Meeting Rooms)

### TECHNICAL SPECIFICATION

**INPUTS:** AV1 RCA jack (Video-In) × 1 & RCA jack × 2 (Audio in L/R)  
 AV2 RCA jack (Video-In) × 1 & RCA jack × 2 (Audio in L/R)  
 AV3 S-Video jack × 1 & RCA jack × 2 (Audio in L/R)  
 AV4 S-Video jack × 1 & RCA jack × 2 (Audio in L/R)  
 AV5 Component (Y, Cb, Cr) × 1 set & 2 (Audio in L/R)  
 AV6 Component (Y, Cb, Cr) × 1 set & 2 (Audio in L/R)  
 AV7 (D-SUB) D-Sub 15 pin & RCA jack × 2 (Audio in L/R),  
 PC Audio 3.5mm × 1  
 AV8 (D-SUB) D-Sub 15 pin & RCA jack × 2 (Audio in L/R),  
 PC Audio 3.5mm × 1

**OUTPUTS:** D-Sub 1: D-Sub 15 pin & RCA jack × 2 (Audio out L/R),  
 3.5mm Mini Audio jack × 1  
 \*\*VGA is of pass through, hence No scaling  
 D-Sub 2 :D-Sub 15 pin & RCA jack × 2 (Audio out L/R),  
 3.5mm Mini Audio jack × 1

**COM PORT:** 1 × 9 pin D-Sub Female connector

**RESOLUTION SUPPORT:** 640 × 480/800 × 600/1024 × 768/  
 1280 × 1024

**MAX RESOLUTION:** 1280 × 1024 @ 75Hz

**VGA OUTPUT TIMING:** 60/75Hz

**CABLE LENGTH (INPUT):** 1 to 3 meter

**CABLE LENGTH (OUTPUT):** Up to 15 meter

(\*Depending on cable rating)

**MAIN VOLUME :** Volume : 32 step digital volume control

**HOUSING:** Metal

**ACCESSORIES:** Power cord and Remote controller

**POWER SOURCE:** 100 to 240 VAC, 50/60Hz

**GROSS DIMENSION:** 530 × 370 × 75 mm

**GROSS WEIGHT:** 4.8 kg

\* Specifications are subject to change without notice.

**ABtUS**

# AVS-SCLHD402/AP3

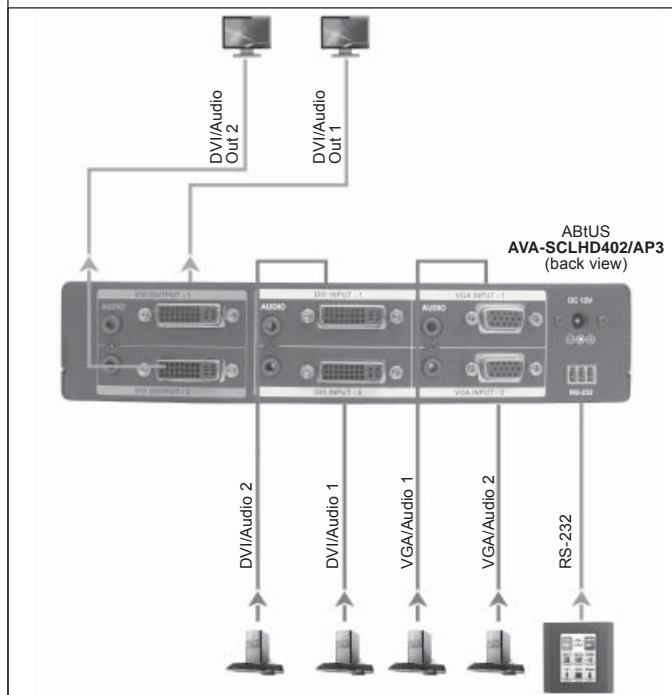
## 4:1 X2 HIGH END MULTIMEDIA PRESENTATION SCALER SWITCHER WITH DVI OUT



### DESCRIPTION

The ABtUS AVS-SCLHD402/AP3 a Multimedia Presentation Full HD Scaler Switcher that provides high quality up or down scaling between standard computer and HDTV signals. Selectable inputs 2 x VGA/Audio OR 2 x YUV Component/Audio, YPbPr (Progressive Scan) Component/Audio (\*with VGA break cable) as well as 2 x DVI-D or HDMI (\*with gender changer) which then output with 2 x DVI/Audio.

Each incoming Video Signal/Audio gain and parameters can be adjusted independently. The high resolution DVI outputs are selectable as any computer resolution up to 1600 x 1200 or any HDTV resolution up to 1080p. All the functions can be controlled via the front panel Push Buttons and On-Screen Display is also available to assist in all setup. The Motion compensation and a 3.2 Pull-down features for NTSC greatly improve the image quality.



### TYPICAL APPLICATIONS

Any professional presentation system requiring multiple AV Inputs of all different types of video standard to a standard video D-SUB 15 pin with RCA or 3.5mm audio output interface.

- Schools (Media Classrooms) • Churches • Corporate Applications (Meeting Rooms)

### FEATURES

- High quality up or down scaling between standard Computer and HDTV signals.
- Logo Capturing (\*based on VGA input)
- PIP/Swap (\*Picture in Picture with size, position and Blending adjustment)
- POP/Swap (\*Picture By Picture)
- Max resolution computer 1600 x 1200 and HDTV 1080p
- Independence inputs Video/Audio gain and parameter adjustments
- Output includes: 2 x DVI-I/Audio

### TECHNICAL SPECIFICATION

	SIGNAL TYPE	CONNECTOR TYPE
INPUTS:	2 x VGA/Audio	2 x D-Sub 15pin/ 3.5mm mini jack
	2 x DVI-D digital video or HDMI 1.3	2 x DVI-I/3.5mm mini jack
OUTPUTS:	2 x DVI-I/Audio	2 x DVI-I/ 3.5mm mini jack
CONTROL PORT:	RS-232	
VIDEO SUPPORT:	800 x 600, 1024 x 768, 1024 x 1024, 1280 x 960, 1280 x 1024, 1366 x 768, 1366 x 1024, 1600 x 1200, 576p, 720p, 1080i, 1080p 60Hz	
AUDIO SUPPORT:	Stereo Audio	
PIP (PICTURE IN PICTURE):	Yes	
POP (PICTURE AND PICTURE):	Yes	
POWER SUPPLY:	12V DC, 3 Amp	
OPERATING TEMPERATURE:	0~40 °C (32~104 °F)	
STORAGE TEMPERATURE:	-20~60 °C (-4~140 °F)	
RELATIVE HUMIDITY:	20~90% RH (no condensation)	
HOUSING:	Metal Enclosure	
GROSS DIMENSION:	360 x 295 x 60 mm	
GROSS WEIGHT:	3 kg	

\* Specifications are subject to change without notice.

# AVS-SCLHD1002/AP1

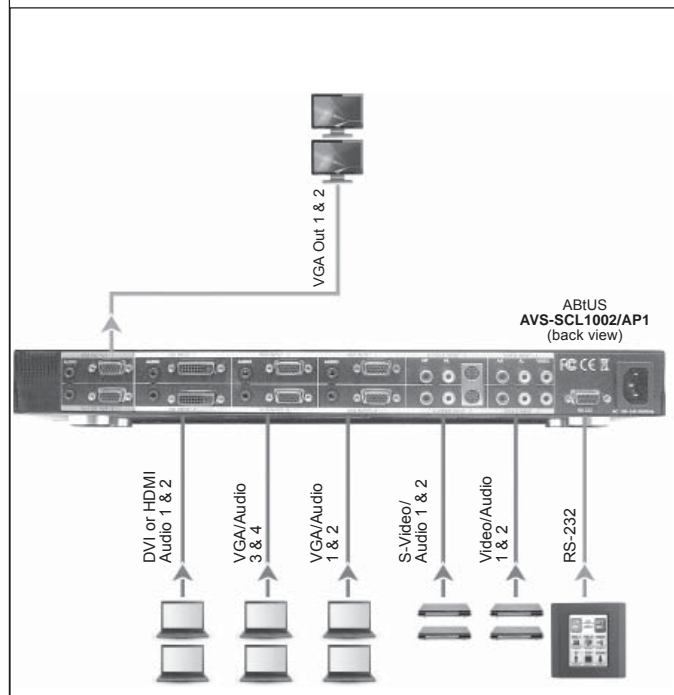
## 10:1X2 HIGH END MULTIMEDIA PRESENTATION SCALER SWITCHER



### DESCRIPTION

ABTUS AVS-SCLHD1002/AP1 a Multi Media Presentation Full HD Scaler Switcher that provides high quality up or down scaling between standard computer and HDTV signals. Selected inputs are 2 x Composite Video/Audio, 2 x S-Video/Audio, 4 x VGA/Audio OR 4 x YUV Component/Audio, YPbPr (Progressive Scan) Component/Audio (\*with converting cable) as well as 2 x DVI-D or HDMI (\*with convertor) which then scaled up or down with 2 x VGA/Audio output.

Each incoming Video Signal/Audio gain and parameters can be adjusted independently. The high resolution VGA outputs are selectable as any computer resolution up to 1600x1200 or any HDTV resolution up to 1080p. All the functions can be controlled via the front panel Push Buttons, an On-Screen Display is also available to assist in all setup. The Motion compensation and a 3:2 Pull-down feature for NTSC greatly improve the image quality.



### TYPICAL APPLICATIONS

Any professional presentation system requiring multiple AV Inputs of all different types of video standard and a standard format output with local remote monitor.

• Schools (Lab, Hall etc) • Churches • Corporate Applications (Function Room) • Rental

### FEATURES

- High quality up or down scaling between standard Computer and HDTV signals
- Logo Capturing (\*based on VGA input)
- PIP/Swap  
(\*Picture in Picture with size, position and Blending adjustment)
- Max resolution Computer 1600 x 1200 and HDTV 1080p
- POP/Swap (\*Picture By Picture)
- Close Caption: option CC1, CC2, Text 1 and Text 2  
(\*apply to Video input)
- Independence inputs Video/Audio gain and parameter adjustments
- Output includes: 2 x VGA/Audio

### TECHNICAL SPECIFICATION

**INPUTS:** 2 x Composite Video/Audio  
2 x 3-RCA  
2 x S-Video/Audio  
2 x 4 pin mini Din /2-RCA  
4 x VGA/Audio  
4 x D-Sub 15pin/ 3.5mm mini jack  
2 x DVI-D digital video or HDMI 1.3  
2 x DVI-I

**OUTPUTS:** 2 x VGA/Audio  
2 x VGA 3.5mm mini jack

**CONTROL PORT:** RS-232

**VIDEO SUPPORT:** 800 x 600, 1024 x 768, 1024 x 1024, 1280 x 960, 1280 x 1024, 1366 x 768, 1366 x 1024, 1600 x 1200, 576p, 720p, 1080i, 1080p 60Hz

**AUDIO SUPPORT:** Stereo Audio

**PIP (PICTURE IN PICTURE):** Yes

**POP (PICTURE AND PICTURE):** Yes

**POWER SUPPLY:** 100 ~ 240 V-AC

**POWER CONSUMPTION:** 100W (Fully Active and Loaded)  
3W (In standby mode)

**OPERATING TEMPERATURE:** 0~40 °C (32~104 °F)

**STORAGE TEMPERATURE:** -20~60 °C (-4~140 °F)

**RELATIVE HUMIDITY:** 20~90% RH (no condensation)

**HOUSING:** Metal Enclosure

**GROSS DIMENSION:** 540 x 370 x 80 mm

**GROSS WEIGHT:** 5 kg

\* Specifications are subject to change without notice.

**ABTUS**

# AVS-SCLHD1002T/AP1

## 10:1X2 HIGH END MULTIMEDIA PRESENTATION SCALER SWITCHER

[\*WITH CAT-5 EXTENDER BUILD IN]

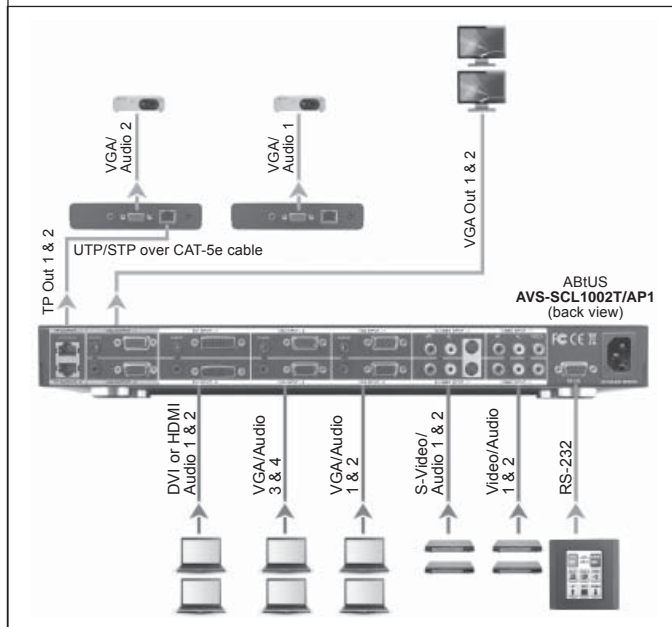


### DESCRIPTION

ABTUS AVS-SCLHD1002T/AP1 a Multi Media Presentation Full HD Scaler Switcher that provides high quality up or down scaling between standard computer and HDTV signals. Selected inputs are 2 x Composite Video/Audio, 2 x S-Video/Audio, 4 x VGA/Audio OR 4 x YUV Component/Audio, YPbPr (Progressive Scan) Component/Audio (\*with converting cable) as well as 2 x DVI-D or HDMI (\*with convertor) which then scaled up or down with 2 x VGA/Audio output.

It is also in-build with a 2 x VGA/Stereo Audio over single Cat-5 output for long distance remote display extension up to 300meter (\*Rx with skew compensation model: CAT-GA11R/AP3).

Each incoming Video Signal/Audio gain and parameters can be adjusted independently. The high resolution VGA outputs are selectable as any computer resolution up to 1600x1200 or any HDTV resolution up to 1080p. All the functions can be controlled via the front panel Push Buttons, an On-Screen Display is also available to assist in all setup. The Motion compensation and a 3:2 Pull-down feature for NTSC greatly improve the image quality.



### TYPICAL APPLICATIONS

Any professional presentation system requiring multiple AV Inputs of all different types of video standard and a standard format output with local remote monitor.

• Schools (Lab, Hall etc) • Churches • Corporate Applications (Function Room) • Rental

### FEATURES

- High quality up or down scaling between standard Computer and HDTV signals
- Logo Capturing (\*based on VGA input)
- PIP/Swap
- (\*Picture in Picture with size, position and Blending adjustment)
- Max resolution Computer 1600 x 1200 and HDTV 1080p
- POP/Swap (\*Picture By Picture)
- Close Caption: option CC1, CC2, Text 1 and Text 2 (\*apply to Video input)
- Independence inputs Video/Audio gain and parameter adjustments
- Output includes: 2 x VGA/Audio and 2 x CAT-5 extender up to 300 meter

### TECHNICAL SPECIFICATION

**INPUTS:** 2 x Composite Video/Audio  
2 x 3-RCA  
2 x S-Video/Audio  
2 x 4 pin mini Din /2-RCA  
4 x VGA/Audio  
4 x D-Sub 15pin/ 3.5mm mini jack  
2 x DVI-D digital video or HDMI 1.3  
2 x DVI-I

**OUTPUTS:** 2 x VGA/Audio  
2 x VGA 3.5mm mini jack  
2 x Cat 5 Extender

**CONTROL PORT:** RS-232

**VIDEO SUPPORT:** 800 x 600, 1024 x 768, 1024 x 1024, 1280 x 960, 1280 x 1024, 1366 x 768, 1366 x 1024, 1600 x 1200, 576p, 720p, 1080i, 1080p 60Hz

**AUDIO SUPPORT:** Stereo Audio

**PIP (PICTURE IN PICTURE):** Yes

**POP (PICTURE AND PICTURE):** Yes

**POWER SUPPLY:** 100 ~ 240 V-AC

**POWER CONSUMPTION:** 100W (Fully Active and Loaded)  
3W (In standby mode)

**OPERATING TEMPERATURE:** 0~40 °C (32~104 °F)

**STORAGE TEMPERATURE:** -20~60 °C (-4~140 °F)

**RELATIVE HUMIDITY:** 20~90% RH (no condensation)

**HOUSING:** Metal Enclosure

**GROSS DIMENSION:** 534 x 370 x 77 mm

**GROSS WEIGHT:** 5 kg

\* Specifications are subject to change without notice.

# AVS-SCLHD1002/AP2

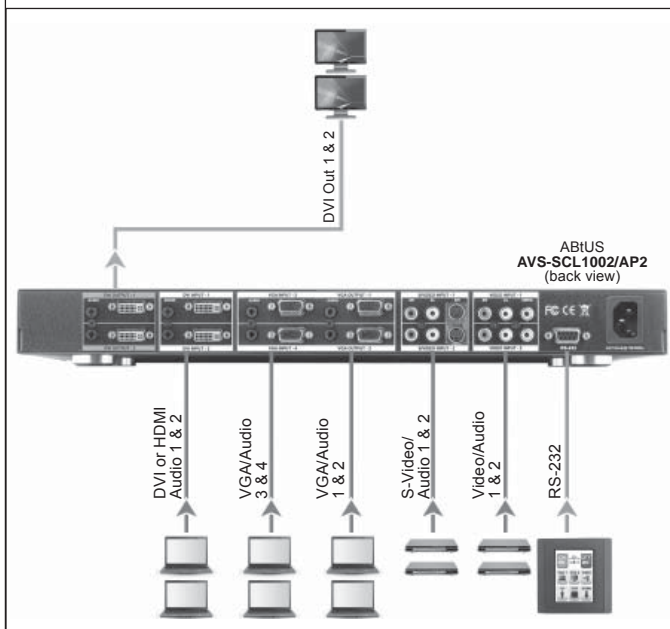
## 10:1X2 HIGH END MULTIMEDIA PRESENTATION SCALER SWITCHER WITH DVI OUT



### DESCRIPTION

ABtUS AVS-SCLHD1002/AP2 a Multi Media Presentation Full HD Scaler Switcher that provides high quality up or down scaling between standard computer and HDTV signals. Selected inputs are 2 x Composite Video/Audio, 2 x S-Video/Audio, 4 x VGA/Audio OR 4 x YUV Component/Audio, YPbPr (Progressive Scan) Component/Audio (\*with converting cable) as well as 2 x DVI-D or HDMI (\*with convertor) which then scaled up or down with 2 x DVI/Audio output.

Each incoming Video Signal/Audio gain and parameters can be adjusted independently. The high resolution DVI outputs are selectable as any computer resolution up to 1600x1200 or any HDTV resolution up to 1080p. All the functions can be controlled via the front panel Push Buttons, an On-Screen Display is also available to assist in all setup. The Motion compensation and a 3:2 Pull-down feature for NTSC greatly improve the image quality.



### TYPICAL APPLICATIONS

Any professional presentation system requiring multiple AV Inputs of all different types of video standard and a standard format output with local remote monitor.

• Schools (Lab, Hall etc) • Churches • Corporate Applications (Function Room) • Rental

### FEATURES

- High quality up or down scaling between standard Computer and HDTV signals
- Logo Capturing (\*based on VGA input)
- PIP/Swap (\*Picture in Picture with size, position and Blending adjustment)
- Max resolution Computer 1600 x 1200 and HDTV 1080p
- POP/Swap (\*Picture By Picture)
- Close Caption: option CC1, CC2, Text 1 and Text 2 (\*apply to Video input)
- Independence inputs Video/Audio gain and parameter adjustments
- Output includes: 2 x DVI-I/Audio and 2 x VGA/Audio
- Fade through black switching

### TECHNICAL SPECIFICATION

**INPUTS:** 2 x Composite Video/Audio  
2 x 3-RCA  
2 x S-Video/Audio  
2 x 4 pin mini Din /2-RCA  
4 x VGA/Audio  
4 x D-Sub 15pin/ 3.5mm mini jack  
2 x DVI-D digital video or HDMI 1.3  
2 x DVI-I

**OUTPUTS:** 2 x DVI-I/Audio  
2 x DVI-I 3.5mm mini jack

**CONTROL PORT:** RS-232

**VIDEO SUPPORT:** 800 x 600, 1024 x 768, 1024 x 1024, 1280 x 960, 1280 x 1024, 1366 x 768, 1366 x 1024, 1600 x 1200, 576p, 720p, 1080i, 1080p 60Hz

**AUDIO SUPPORT:** Stereo Audio

**PIP (PICTURE IN PICTURE):** Yes

**POP (PICTURE AND PICTURE):** Yes

**POWER SUPPLY:** 100 ~ 240 V-AC

**POWER CONSUMPTION:** 100W (Fully Active and Loaded)  
3W (In standby mode)

**OPERATING TEMPERATURE:** 0~40 °C (32~104 °F)

**STORAGE TEMPERATURE:** -20~60 °C (-4~140 °F)

**RELATIVE HUMIDITY:** 20~90% RH (no condensation)

**HOUSING:** Metal Enclosure

**GROSS DIMENSION:** 530 x 370 x 75 mm

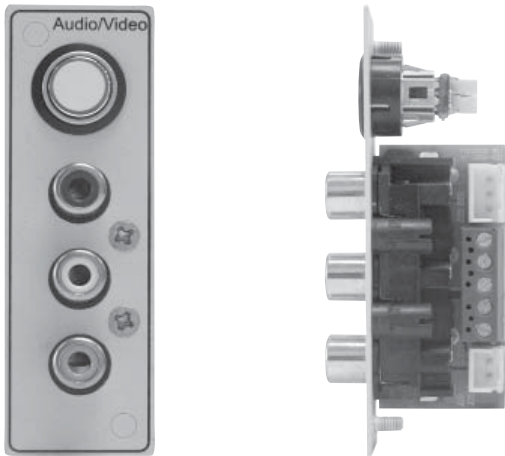
**GROSS WEIGHT:** 5 kg

\* Specifications are subject to change without notice.

**ABTUS**

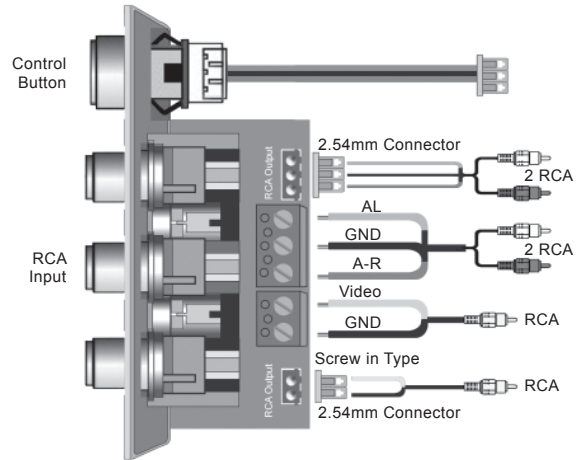


# MODULE METAL PLATE WITH CONTROL BUTTON MU-AV/A-06C-ST

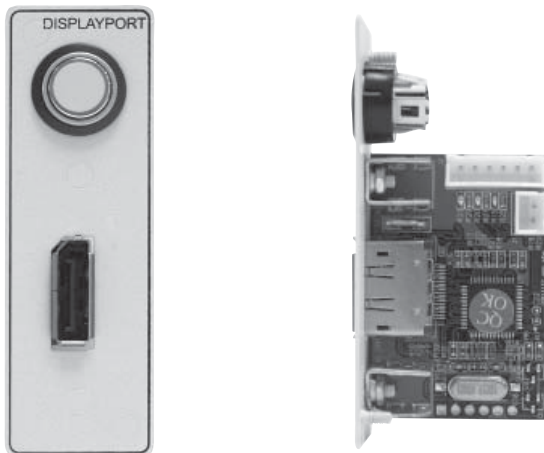


## DESCRIPTION

**Module Metal Plate** 1 × 3RCA , 1 × Control Button

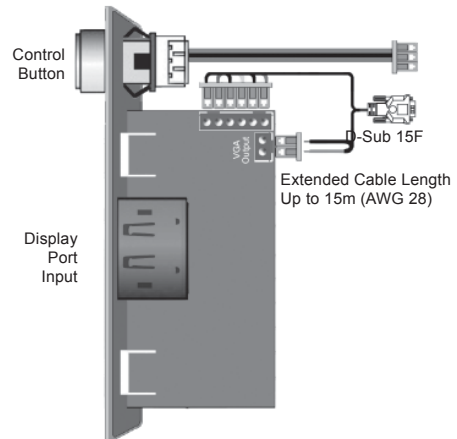


# MU-DP/A-06C-ST

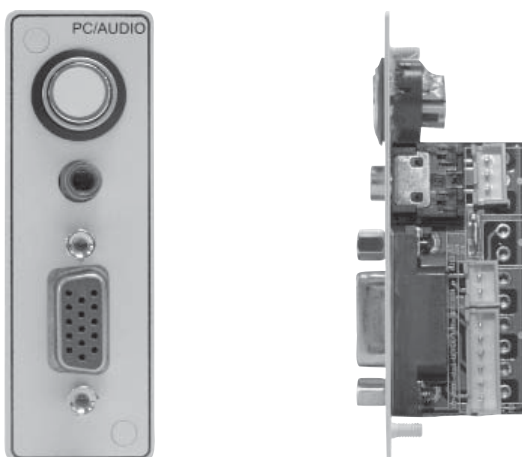


## DESCRIPTION

**Module Metal Plate** 1 × Display Port with Buffer, 1 × Control Button

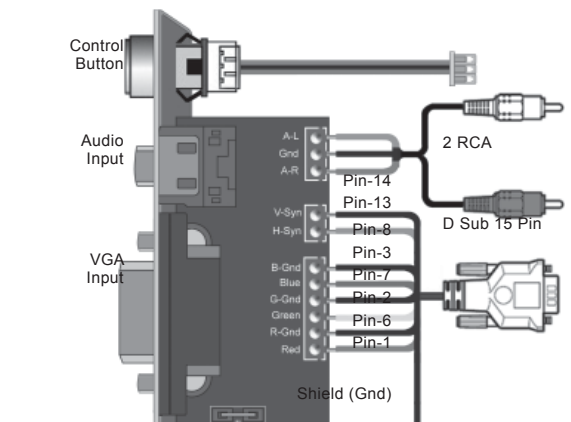


# MU-GA/A-06C-ST



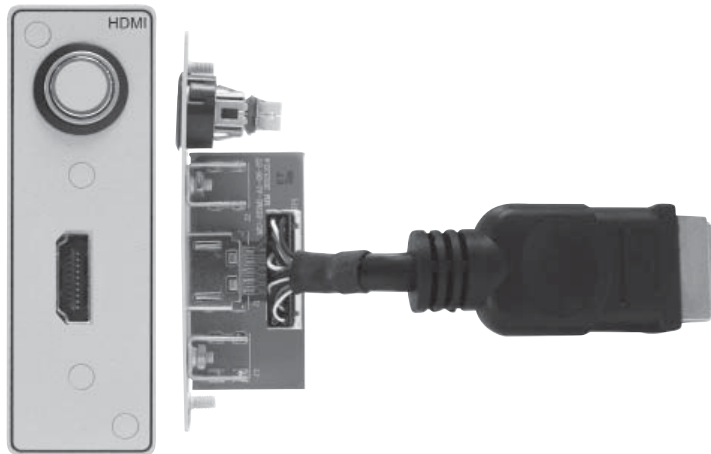
## DESCRIPTION

**Module Metal Plate** 1 × VGA Audio, 1 × Control Button



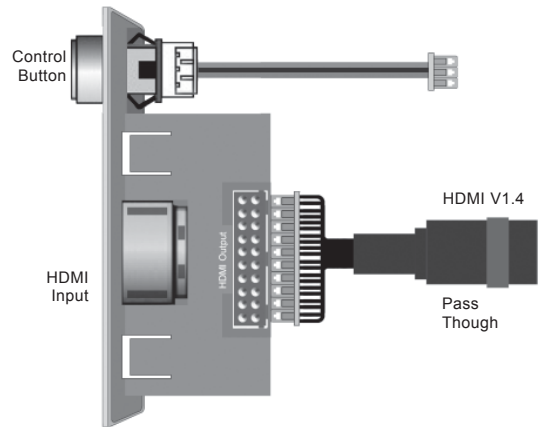
\* Specifications are subject to change without notice.

## MODULE METAL PLATE WITH CONTROL BUTTON MU-HDMI/A1-06C-ST

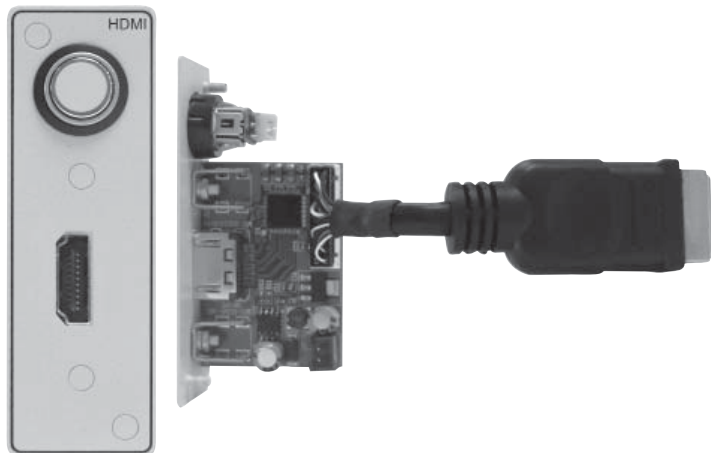


### DESCRIPTION

Module Metal Plate 1 × HDMI, 1 × Control Button

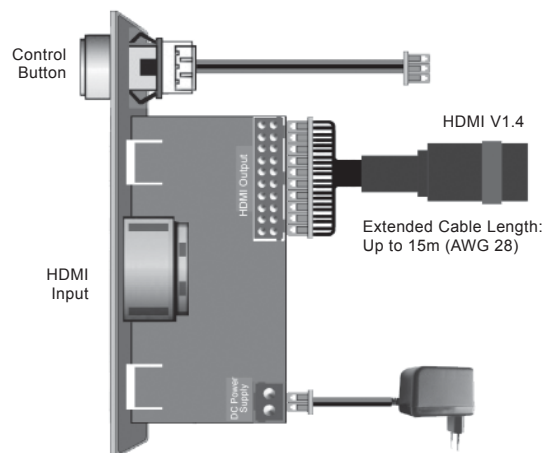


## MU-HDMI/A2-06C-ST

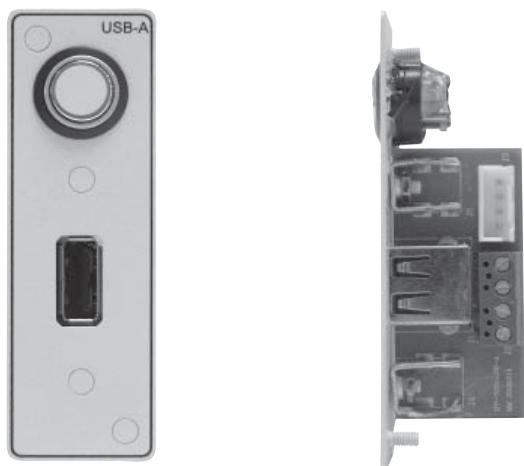


### DESCRIPTION

Module Metal Plate 1 × HDMI with Buffer, 1 × Control Button

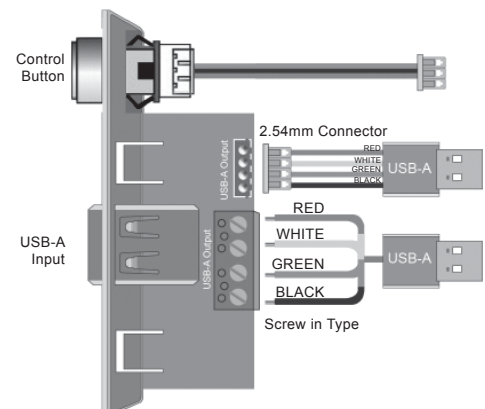


## MU-USBA-06C-ST



### DESCRIPTION

Module Metal Plate 1 × USB-A, 1 × Control Button



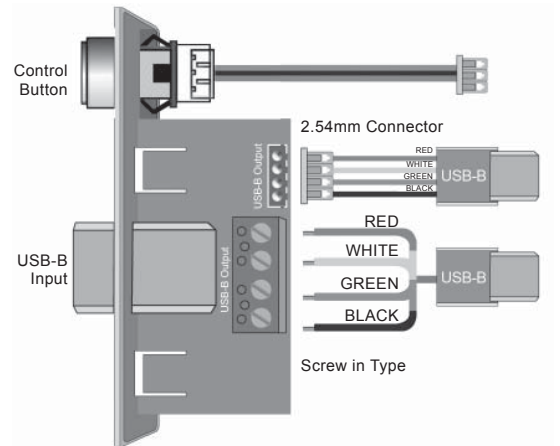
\* Specifications are subject to change without notice.

## MODULE METAL PLATE WITH CONTROL BUTTON MU-USBB-06C-ST



### DESCRIPTION

Module Metal Plate 1 × USBB, 1 × Control Button

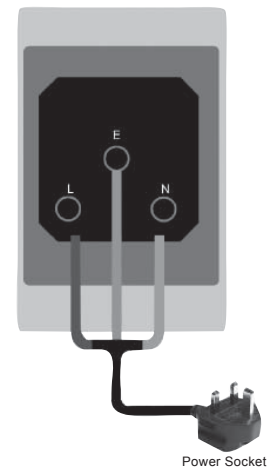


## MU-PWR-06-ST



### DESCRIPTION

Module Metal Plate 1 × Universal Power Plug



## 121-600C/V6

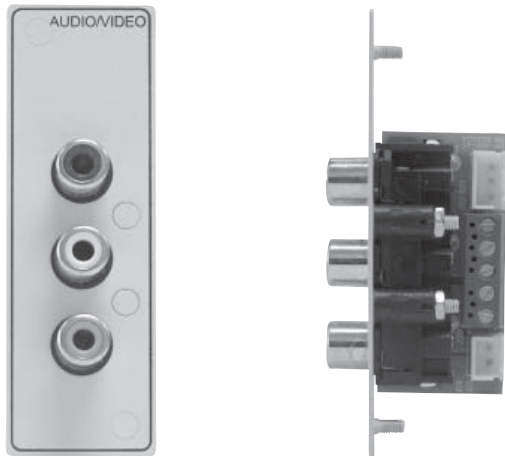


### DESCRIPTION

Control module  
(Connects up to 6 interface panels)

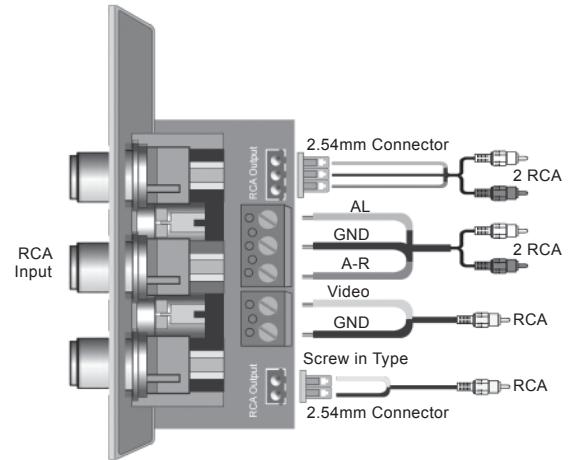
\* Specifications are subject to change without notice.

## MODULE METAL PLATE MU-AV/A-06-ST

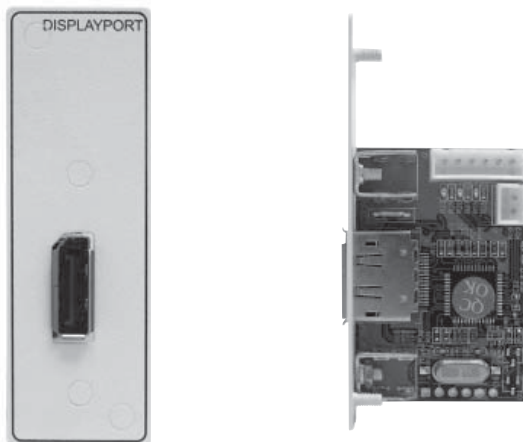


### DESCRIPTION

Module Metal Plate 1 × 3RCA

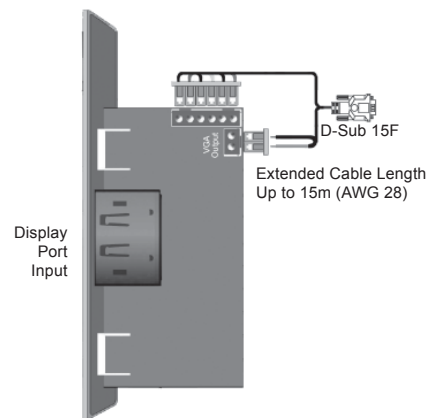


## MU-DP/A-06-ST

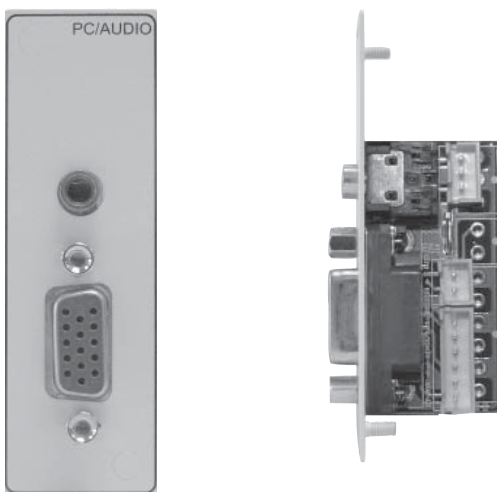


### DESCRIPTION

Module Metal Plate 1 × Display Port with Buffer

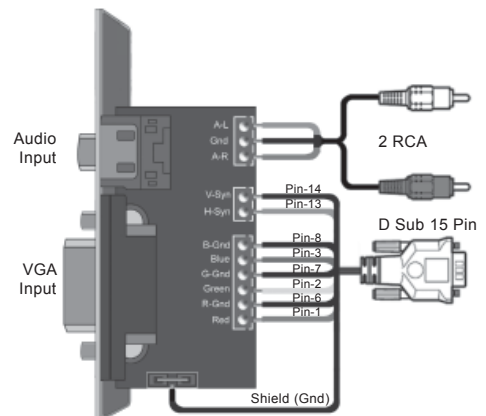


## MU-GA/A-06-ST



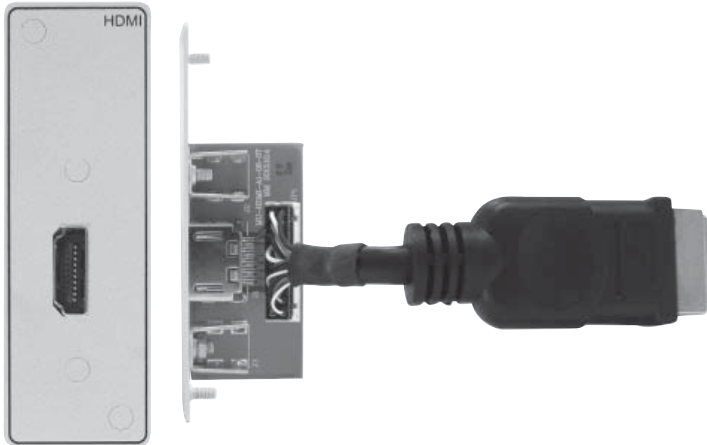
### DESCRIPTION

Module Metal Plate 1 × VGA Audio



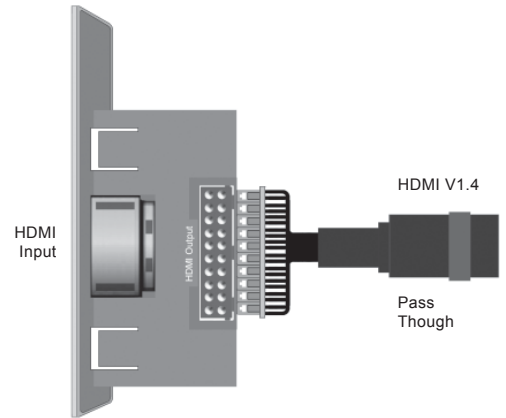
\* Specifications are subject to change without notice.

## MODULE METAL PLATE MU-HDMI/A1-06-ST

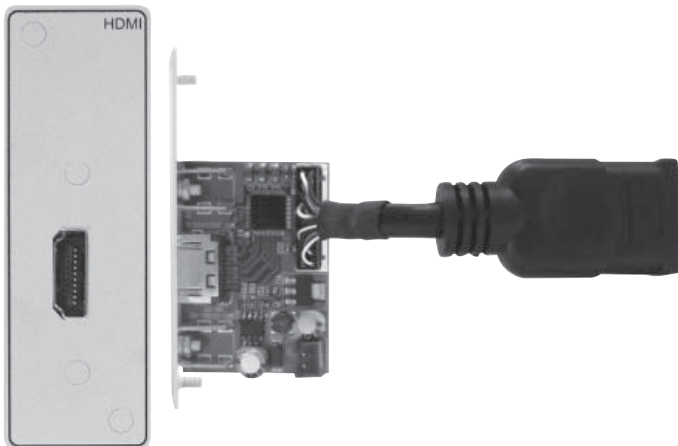


### DESCRIPTION

Module Metal Plate 1 × HDMI

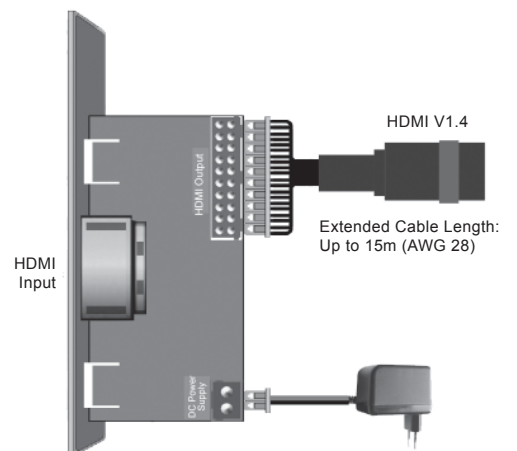


## MU-HDMI/A2-06-ST

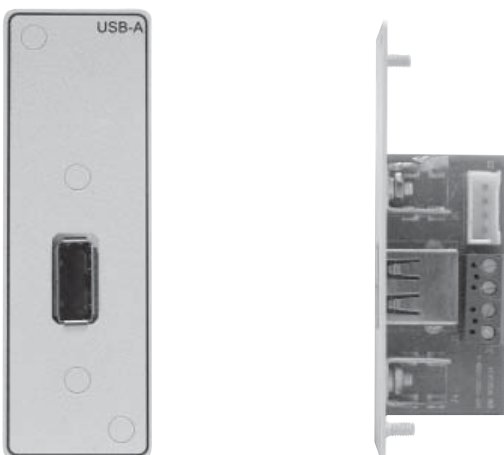


### DESCRIPTION

Module Metal Plate 1 × HDMI with Buffer

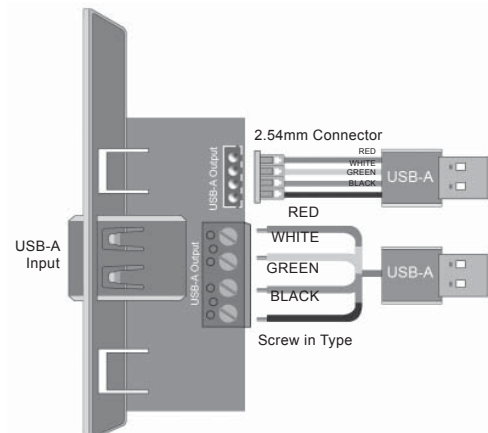


## MU-USBA-06-ST



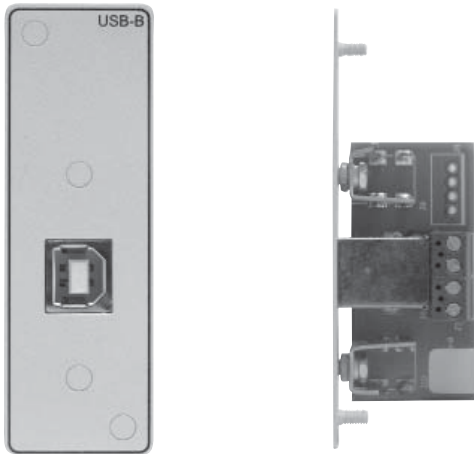
### DESCRIPTION

Module Metal Plate 1 × USB-A



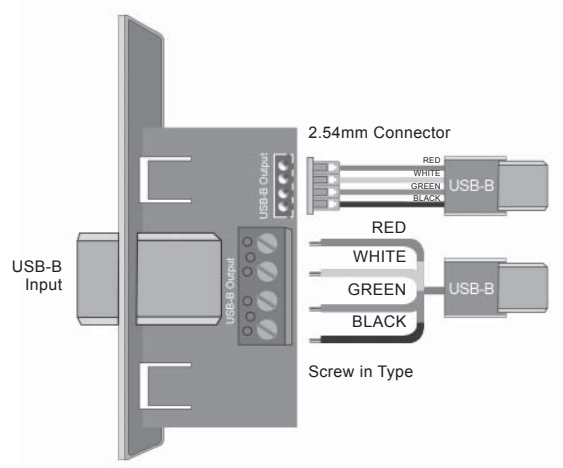
\* Specifications are subject to change without notice.

MODULE METAL PLATE  
MU-USBB-06-ST



**DESCRIPTION**

Module Metal Plate 1 × USB-B

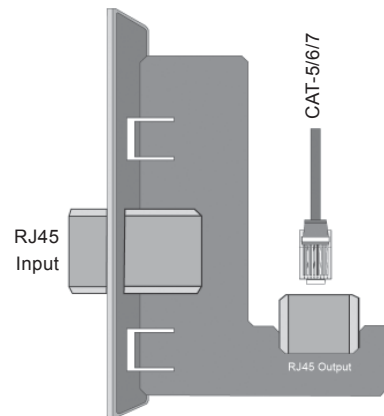


MU-TP1-06-ST



**DESCRIPTION**

Module Metal Plate 1 × RJ45 F-F



MU-BNK-06-ST



**DESCRIPTION**

Module Metal Plate 1 × Blank plate w/o controller

\* Specifications are subject to change without notice.

MODULE PANEL (FRONT METAL PLATE )  
MF-600-01-ST-UK-S



**DESCRIPTION**

**Metal Frame for IFP-600**  
Single Gang - 1 Module

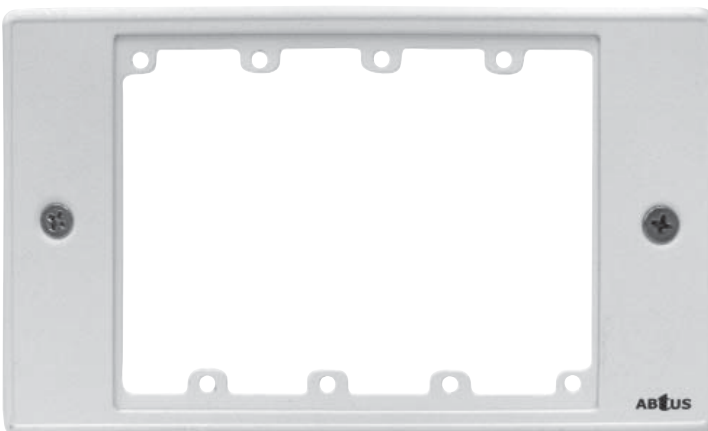
MF-600-02-ST-UK-S



**DESCRIPTION**

**Metal Frame for IFP-600**  
Single Gang - 2 Module

MF-600-04-ST-UK-D

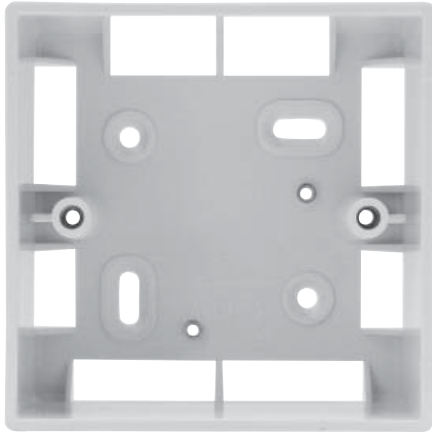


**DESCRIPTION**

**Metal Frame for IFP-600**  
Double Gang- 4 Module

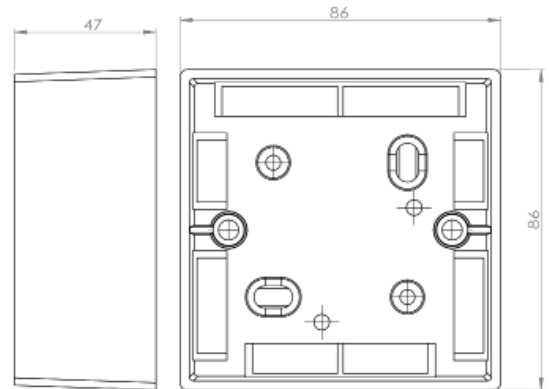
\* Specifications are subject to change without notice.

## MODULE PANEL (BACK CASING ) BC-01G-044

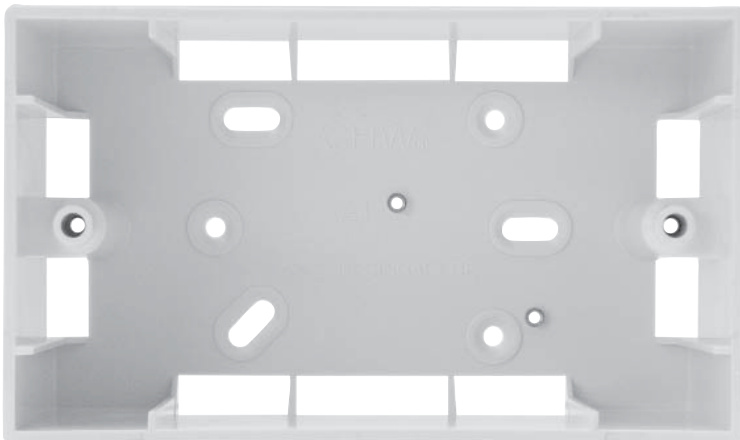


### DESCRIPTION

**UK Single Gang** (86 × 86 × 47 mm)

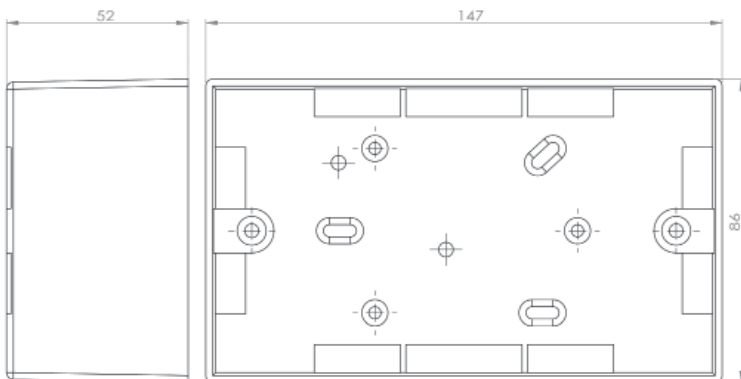


## BC-02G-044



### DESCRIPTION

**UK Double Gang** (86 × 146 × 52 mm)

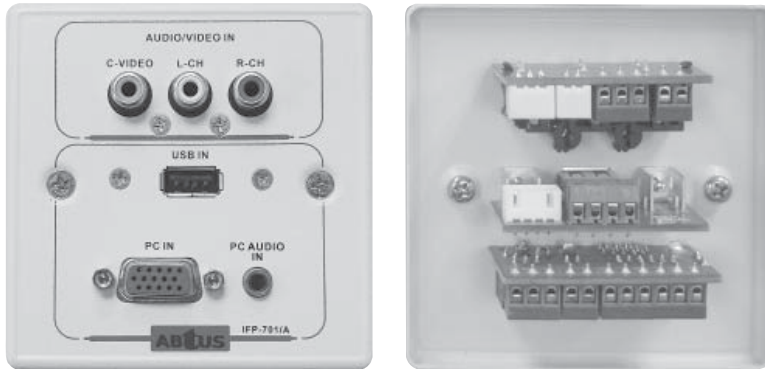


\* Specifications are subject to change without notice.

**ABTUS**

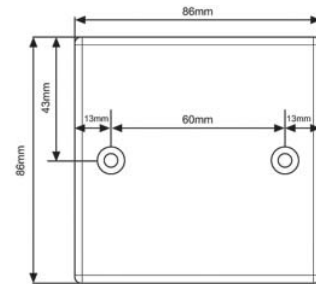


# MULTIMEDIA SINGLE GANG INTERFACE PANEL (PAINTED METAL FINISH/CONNECTOR TYPE ) IFP-701A

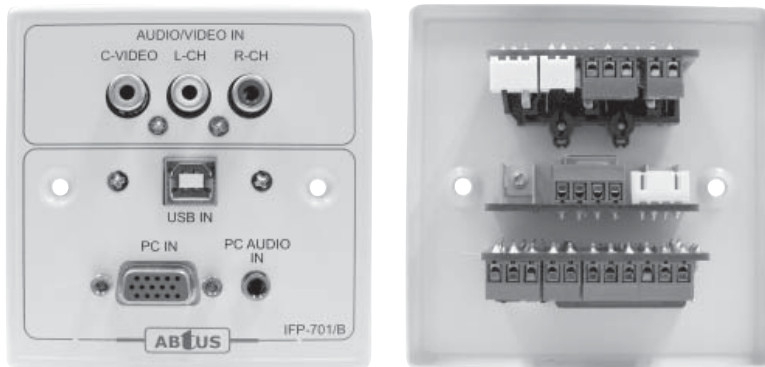


## DESCRIPTION

Metal Material Interface Panel with 3RCA (composite video and audio), 1 VGA, 1 PC Audio, 1 USB, A Type w/o back box

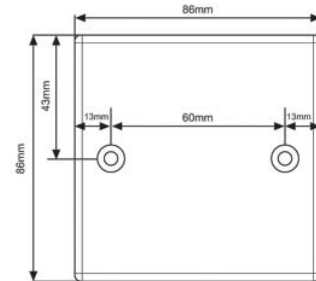


## IFP-701B

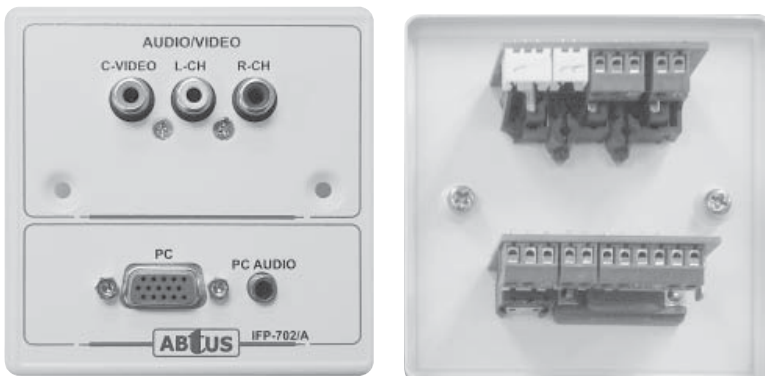


## DESCRIPTION

Metal Material Interface Panel with 3RCA (composite video and audio), 1 VGA, 1 PC Audio, 1 USB, B Type w/o back box

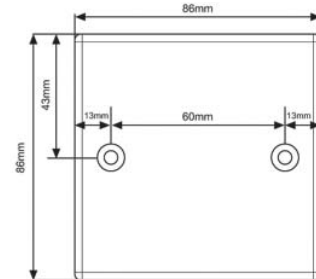


## IFP-702A

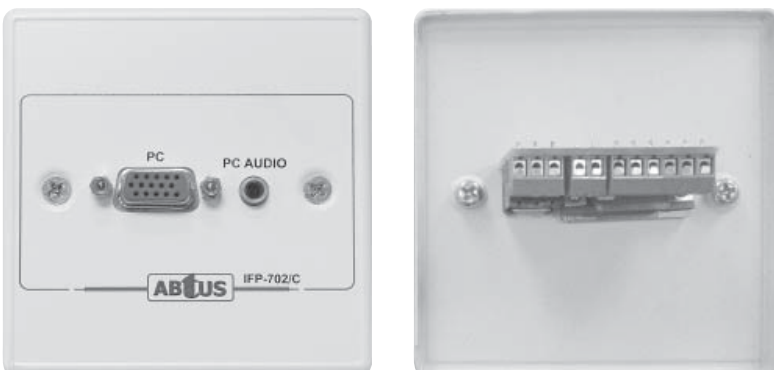


## DESCRIPTION

Metal Material Interface Panel with 3RCA (composite video and audio), 1 VGA, 1 PC Audio w/o back box

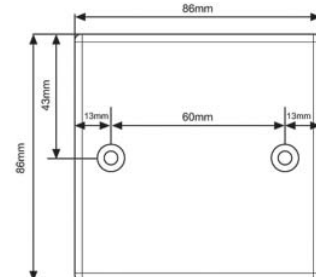


## IFP-702C



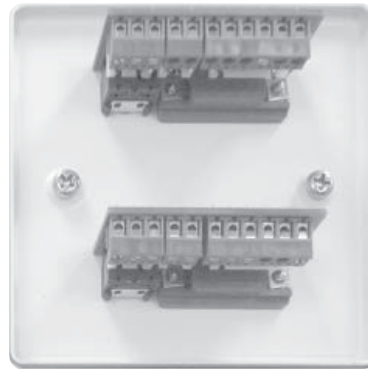
## DESCRIPTION

Metal Material Interface Panel with 1 VGA, 1 PC Audio, w/o back box



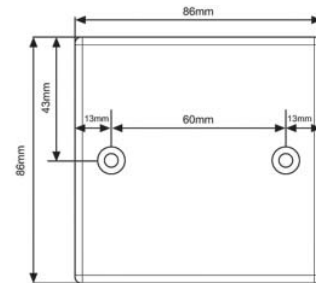
\* Specifications are subject to change without notice.

## MULTIMEDIA SINGLE GANG INTERFACE PANEL (PAINTED METAL FINISH/CONNECTOR TYPE) IFP-703A



### DESCRIPTION

Metal Material Interface Panel with  
2 VGA with PC Audio w/o back box

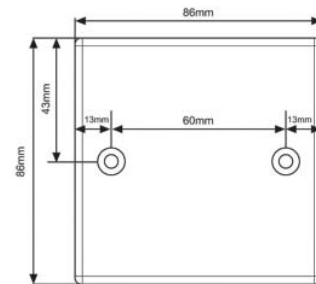


## IFP-704/A

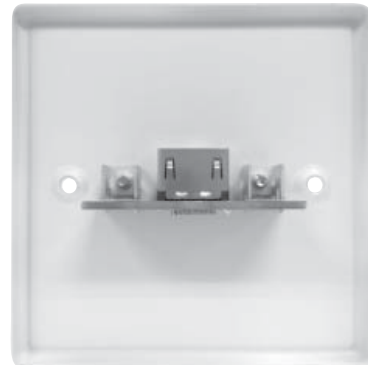


### DESCRIPTION

Metal Material Interface Panel with 3RCA  
(component video) and HDMI w/o back box

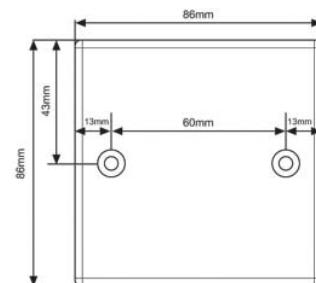


## IFP-704/B

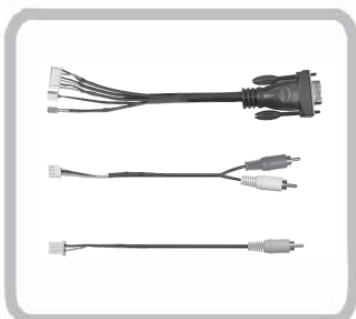


### DESCRIPTION

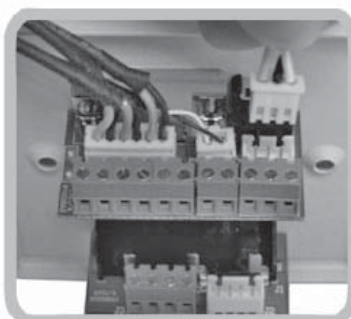
Metal Material Interface Panel with HDMI  
w/o back box



## QUICK AND EASY INSTALLATION



Extremely easy to install with ABUS 2.54mm  
connector type cables

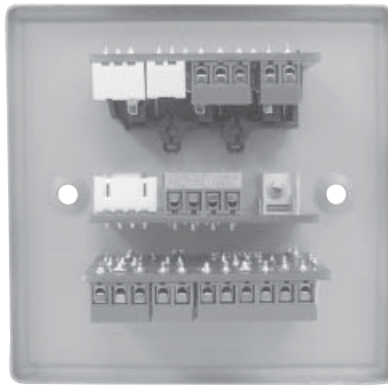


Plug & Play

\* Specifications are subject to change without notice.

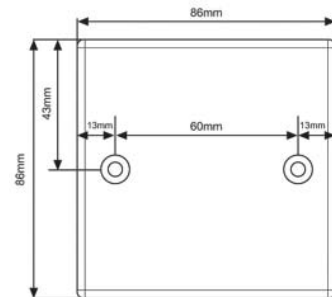
**ABUS**

## MULTIMEDIA SINGLE GANG INTERFACE PANEL (ALUMINUM BRUSH FINISH/CONNECTOR TYPE ) IFP-701A/MA



### DESCRIPTION

**Metal Material with Aluminum Finishing**  
Interface Panel with 3RCA (composite video and audio), 1 VGA, 1 PC Audio, 1 USB, A Type  
w/o back box

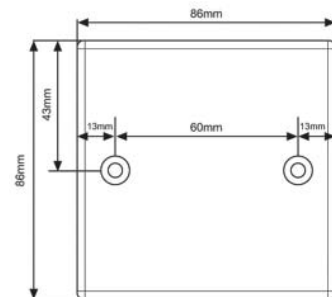


## IFP-702A/MA



### DESCRIPTION

**Metal Material with Aluminum Finishing**  
Interface Panel with 3RCA (composite video and audio), 1 VGA, 1 PC Audio w/o back box

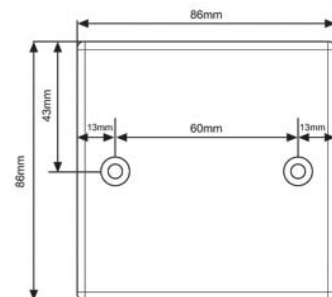


## IFP-702C/MA



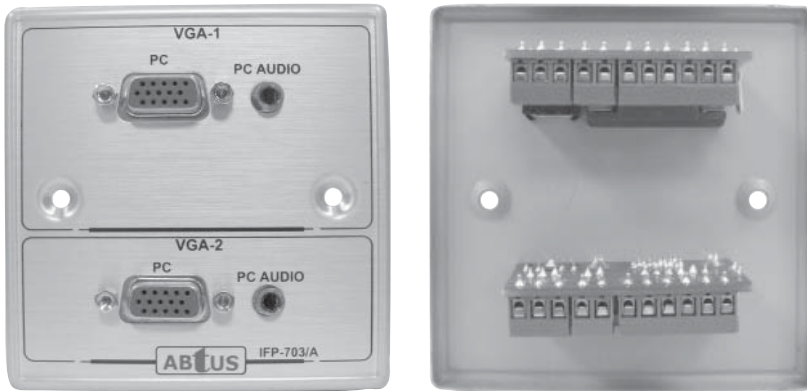
### DESCRIPTION

**Metal Material with Aluminum Finishing**  
Interface Panel with 1 VGA, 1 PC Audio, w/o  
back box



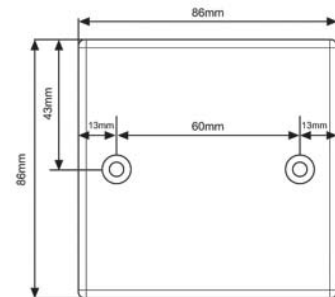
\* Specifications are subject to change without notice.

## MULTIMEDIA SINGLE GANG INTERFACE PANEL (ALUMINUM BRUSH FINISH/CONNECTOR TYPE) IFP-703A/MA



### DESCRIPTION

**Metal Material with Aluminum Finishing**  
Interface Panel with 2 VGA with PC Audio w/o  
back box

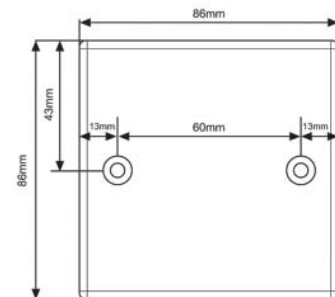


## MULTIMEDIA SINGLE GANG INTERFACE PANEL (ALUMINIUM BRUSH FINISH/SOLDER TYPE) IFP-703C/MA



### DESCRIPTION

**Metal Material with Aluminum Finishing**  
Interface Panel with 1 XLR Mic w/o back  
box

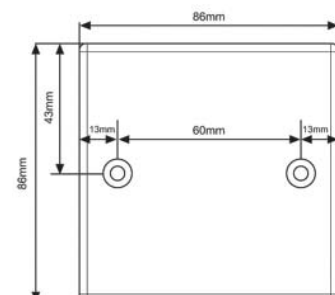


## IFP-703C2/MA



### DESCRIPTION

**Metal Material with Aluminum Finishing**  
Interface Panel with 2 XLR Mic w/o back  
box



\* Specifications are subject to change without notice.

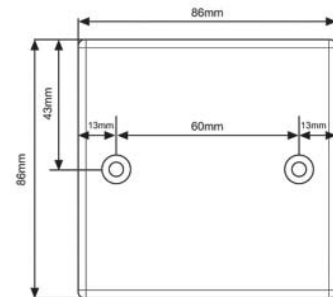
**ABTUS**

MULTIMEDIA SINGLE GANG INTERFACE PANEL  
(ALUMINUM BRUSH FINISH/CONNECTOR TYPE )  
IFP-704A/MA



**DESCRIPTION**

**Metal Material with Aluminum Finishing**  
Interface Panel with 3RCA (component video)  
and HDMI w/o back box

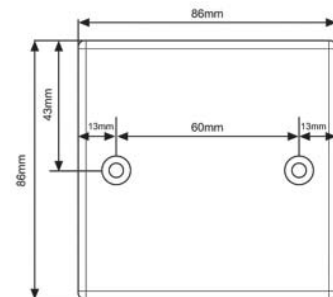


IFP-706D/MA



**DESCRIPTION**

**Metal Material with Aluminum Finishing**  
Interface Panel with inbuilt Display Port to  
VGA convertor module



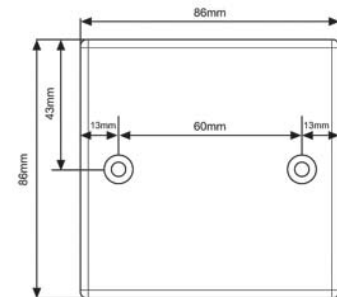
\* Specifications are subject to change without notice.

## MULTIMEDIA SINGLE GANG INTERFACE PANEL (PAINTED METAL FINISH / SOLDER TYPE ) IFP-702D



### DESCRIPTION

Metal Material Interface Panel with  
1 VGA, w/o back box

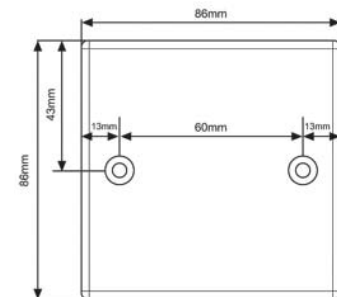


## IFP-703C



### DESCRIPTION

Metal Material Interface Panel with  
1 XLR Mic w/o back box

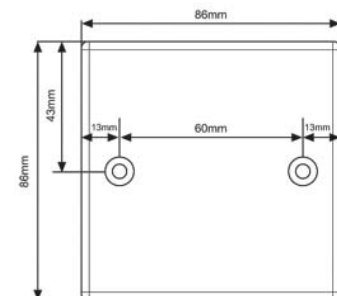


## IFP-703C2



### DESCRIPTION

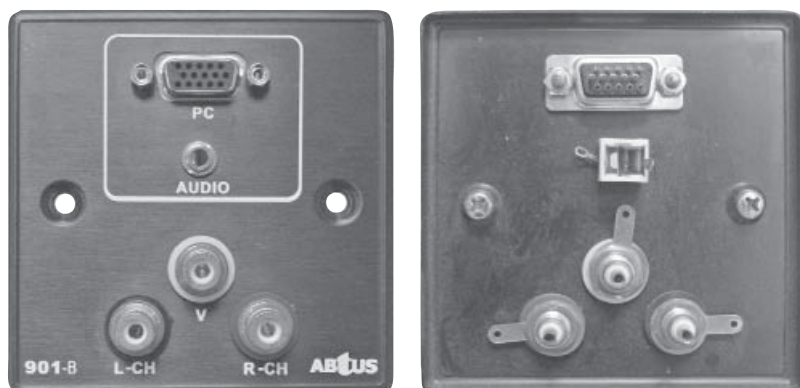
Metal Material Interface Panel with  
2 XLR Mic w/o back box



\* Specifications are subject to change without notice.

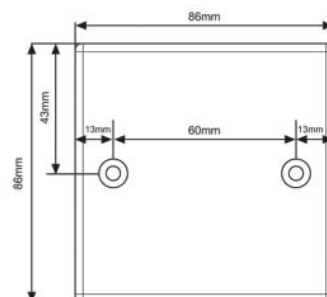
**ABTUS**

MULTIMEDIA SINGLE GANG INTERFACE PANEL  
(BRUSHED METAL FINISH / SOLDER TYPE )  
IFP-901B (BLACK)

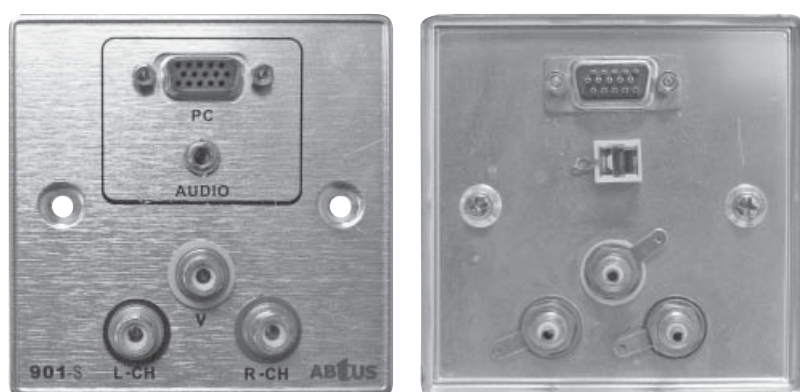


**DESCRIPTION**

Aluminium Material Interface Panel with 3RCA (composite video and audio), 1 VGA, 1 PC Audio w/o back box

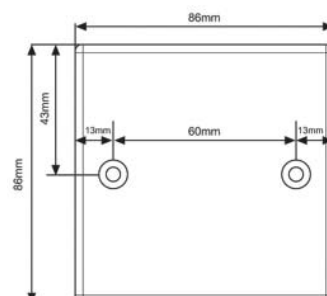


IFP-901S (SILVER)



**DESCRIPTION**

Aluminium Material Interface Panel with 3RCA (composite video and audio), 1 VGA, 1 PC Audio w/o back box

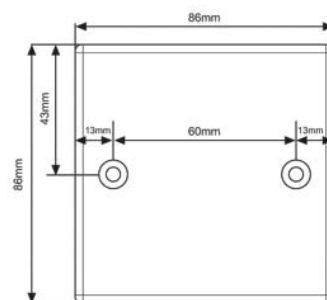


IFP-901G (GOLD)



**DESCRIPTION**

Aluminium Material Interface Panel with 3RCA (composite video and audio), 1 VGA, 1 PC Audio w/o back box



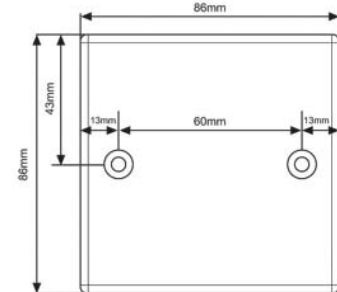
\* Specifications are subject to change without notice.

MULTIMEDIA SINGLE GANG INTERFACE PANEL  
(PAINTED METAL FINISH /SOLDER TYPE )  
IFP-901BG(BEIGE)



**DESCRIPTION**

Aluminium Material Interface Panel with  
3RCA (composite video and audio), 1 VGA,  
1 PC Audio w/o back box

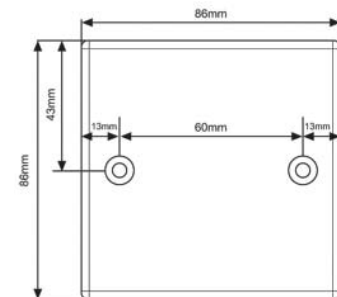


IFP-902C



**DESCRIPTION**

Metal Material Interface Panel with  
1 VGA, 1 PC Audio w/o back box

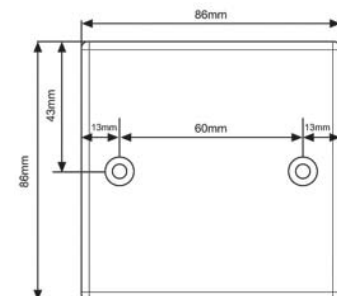


IFP-902D



**DESCRIPTION**

Metal Material Interface Panel with  
1 VGA, 1 C-Video w/o back box

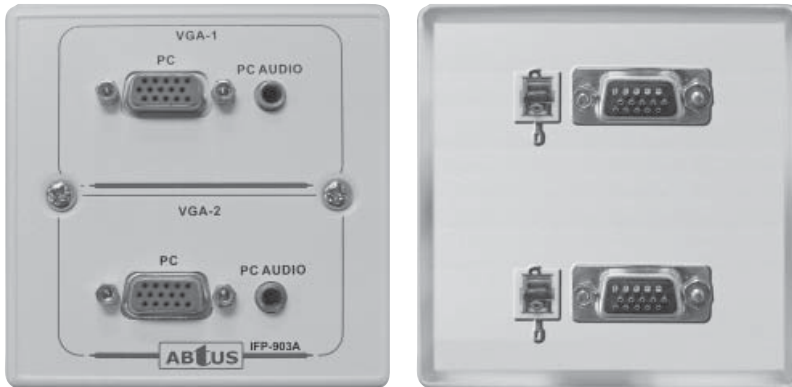


\* Specifications are subject to change without notice.

**ABTUS**

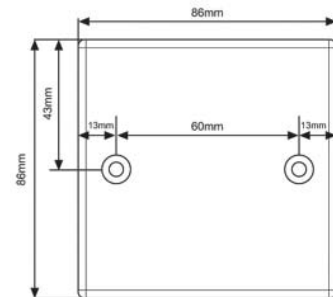


MULTIMEDIA SINGLE GANG INTERFACE PANEL  
(PAINTED METAL FINISH / SOLDER TYPE )  
IFP-903A

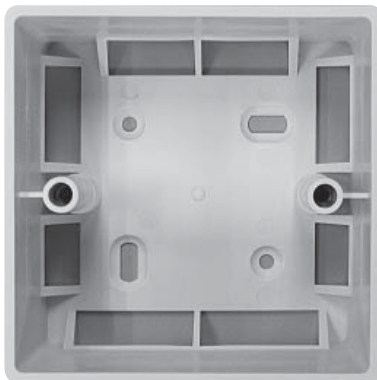


**DESCRIPTION**

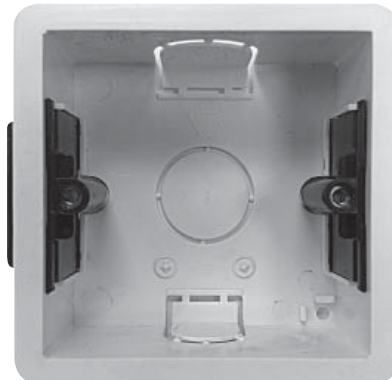
**Metal Material Interface Panel with  
2 VGA, 2 PC Audio w/o back box**



MULTIMEDIA SINGLE GANG INTERFACE PANEL  
(BACK CASING )  
BC-101G/SM                      BC-101G/FM



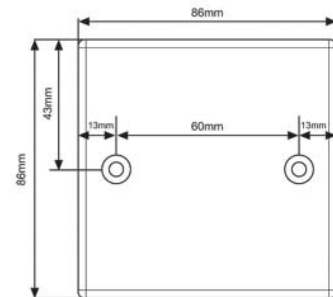
Surface



Flush

**DESCRIPTION**

**Single Gang Back Casing**



\* Specifications are subject to change without notice.

# QUICK INSTALLATION KITS

## BASIC MEDIA 100



### DESCRIPTION

Fanciful and sophisticated multimedia system may not be found in all meeting room. ABtUS recognised the needs for basic yet effective AV equipment that can perform its task flawlessly without unnecessary extravagant. Hence, the BasicMedia quick installation kit is introduced.

BasicMedia quick installation kit provides all the necessary equipment that is not only extremely user friendly but also exceptionally effective. It has all that's needed for a basic multimedia meeting room, nothing more, nothing less. The handy box contains a useful interface panel and a projector mount complete with a hardy security lock for the projector. All necessary cables are included in the box and with each cable at 15m need not worry about having cables too short for installation. Installation is so easy that almost everyone would be able to install this without any hassle.



### TYPICAL APPLICATIONS

Simple and hassle free installation kit for any room with AV. It's all you need to prepare your room for multimedia projection.



### FEATURES

- Plug and Play capabilities
- Quick and hassle free installation
- Easy to use with no training required
- Can be installed in almost any environment
- One box solution

### TECHNICAL SPECIFICATION

1. AV & VGA Interface Panel:
  - IFP-702/A With standard 2.54mm connector cable
2. Cables:
  - AV-RGB6.5MM-WF (VGA cable 10M)
  - AV-RCA3.0-2P-WF (Video cable 10M)
  - AV-2RCA (Stereo audio cable 10M)
  - AV-R3.5MFC (Stereo audio cable 10M)
3. Projector Mount:
  - AV815 Projector Ceiling Mount
4. Projector Security Lock:

\* Specifications are subject to change without notice.

**ABtUS**

## QUICK INSTALLATION KITS

### BASIC MEDIA 110



#### TECHNICAL SPECIFICATION

1. AV & VGA Interface Panel:
  - IFP-702/A With standard 2.54mm connector cable
  - IFP-703/A With standard 2.54mm connector cable
2. Cables:
  - AV-RGB6.5MM-WF (VGA cable 10M)
  - AV-RCA3.0-2P-WF (Video cable 10M)
  - AV-2RCA (Stereo audio cable 10M)
  - AV-R3.5MFC (Stereo audio cable 10M)
3. Projector Mount:
  - AV815 Projector Ceiling Mount
4. Projector Security Lock
5. Audio System
  - SPS-S035A/P1 Speaker System with Eco Digital Amplifier (35 Watts per channel)

## QUICK INSTALLATION KITS

### BASIC MEDIA 120



#### TECHNICAL SPECIFICATION

1. AV & VGA Interface Panel:
  - IFP-701/A With standard 2.54mm connector cable
2. Cables:
  - AV-RGB6.5MM-WF (VGA cable 10M)
  - AV-RCA3.0-2P-WF (Video cable 10M)
  - AV-2RCA (Stereo audio cable 10M)
  - AV-R3.5MFC (Stereo audio cable 10M)
  - USB Cable (USB-A-Male 2.54 5M)
3. Projector Mount:
  - AV891-1500-V1 Short Throw Projector Wall Mount
4. Projector Security Lock

## QUICK INSTALLATION KITS

### BASIC MEDIA 130



#### TECHNICAL SPECIFICATION

1. AV & VGA Interface Panel:
  - IFP-702/A With standard 2.54mm connector cable
  - IFP-703/A With standard 2.54mm connector cable
2. Cables:
  - AV-RGB6.5MM-WF (VGA cable 10M)
  - AV-RCA3.0-2P-WF (Video cable 10M)
  - AV-2RCA (Stereo audio cable 10M)
  - AV-R3.5MFC (Stereo audio cable 10M)
  - USB Cable (USB-A-Male 2.54 5M)
3. Projector Mount:
  - AV891-1500-V1 Short Throw Projector Wall Mount
4. Projector Security Lock
5. Audio System
  - SPS-S035A/P1 Speaker System with Eco Digital Amplifier (35 Watts per channel)

\* Specifications are subject to change without notice.

## BTM-S06R & BTM-S05T

### BLUETOOTH MICROPHONE VOICE ENHANCEMENT SYSTEM



#### FEATURES

**BTM-S05T** Transmitter (3.5mm mono Female connector)  
**BTM-S06R** Receiver (6.3mm mono Male plug)

- Plug-N-Play
- High quality transmission
- No movement restriction
- Convenient and portable
- User friendly

#### TECHNICAL SPECIFICATION

BLUETOOTH STANDARD:	Bluetooth specification V2.0
OUTPUT POWER:	Class 1
TRANSMISSION DISTANCE:	35meters (Unobstructed line of sight)
BATTERY:	AAA size 4pcs (TX 2pcs, RX 2pcs)
BATTERY LIFE:	Approximately 8 hours
CARRIER BAND FREQUENCY:	ISM band 2,400~2,483.5 MHz
TRANSMIT POWER:	+5dBm
RECEIVER SENSITIVITY:	-85dBm
MAXIMUM OUTPUT VOLTAGE:	110mV (RMS)
MAXIMUM CURRENT CONSUMPTION:	70mA
FREQUENCY RESPONSE:	25~19KHz (BTM-S05T) 32~19KHz (BTM-S06R)
LATENCY:	~4 ms (Millisecond)

## BTM-S06R & BTM-S06T

### BLUETOOTH MICROPHONE VOICE ENHANCEMENT SYSTEM



#### TECHNICAL SPECIFICATION

**BTM-S06T** Transmitter (XLR Female connector)  
**BTM-S06R** Receiver (6.3mm mono Male plug)

- Plug-N-Play
- High quality transmission
- No movement restriction
- Convenient and portable
- User friendly

#### TECHNICAL SPECIFICATION

BLUETOOTH STANDARD:	Bluetooth specification V2.0
OUTPUT POWER:	Class 1
TRANSMISSION DISTANCE:	35meters (Unobstructed line of sight)
BATTERY:	AAA size 4pcs (TX 2pcs, RX 2pcs)
BATTERY LIFE:	Approximately 8 hours
CARRIER BAND FREQUENCY:	ISM band 2,400~2,483.5 MHz
TRANSMIT POWER:	+5dBm
RECEIVER SENSITIVITY:	-85dBm
MAXIMUM OUTPUT VOLTAGE:	110mV (RMS)
MAXIMUM CURRENT CONSUMPTION:	70mA
FREQUENCY RESPONSE:	25~19KHz (BTM-S05T) 32~19KHz (BTM-S06R)
LATENCY:	~4 ms (Millisecond)

\* Specifications are subject to change without notice.

**ABTUS**

# AVC-HDA11/AP4

## HDMI AUDIO EXTRACTOR



### DESCRIPTION

The ABTUS **AVC-HDA11/AP4** HDMI audio extractor has a HDMI signal transmission (In), into a HDMI signal and a different audio output (SPDIF audio + Toslink audio 5.1 + analog audio).

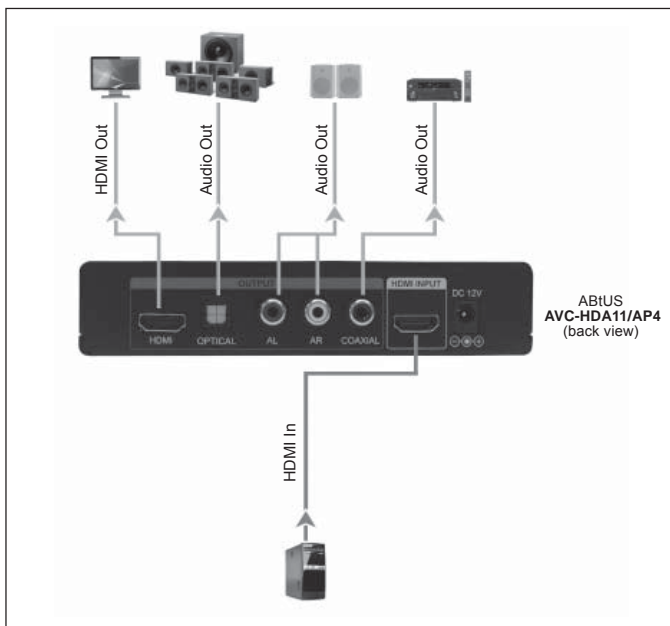
EDID is supported and the product is built in compliance with HDCP. It support resolutions up to 4K 2K and also 3D Video formats

### FEATURES

- Extract audio from HDMI
- Support SPDIF (digital optical fiber and coaxial) audio output and support R/L (simulate audio interface).
- Support up to 4K 2K resolutions
- Support HDMI (input & output) formats :DTS-HD/Dolby-trueHD LPCM7.1/DTS/Dolby-AC3/DSD

### TECHNICAL SPECIFICATION

		CONNECTOR TYPE
INPUT:	1 × HDMI	Female
OUTPUT:	1 × HDMI	Female
	1 × Coaxial	Coaxial Female
	2 × RCA	RCA Female
	1 × Optical Audio	Toslink
HDCP COMPLIANCE:	Yes	
VIDEO BANDWIDTH:	300MHz Pixelclock	
MAXIMUM RESOLUTION:	4K 2K / 1920x1200@60Hz [36-bit RGB/YCbCr]	
INPUT TMDS SIGNAL:	1.2 Volts [peak-to-peak]	
OUTPUT DDC SIGNAL:	5 Volts [peak-to-peak, TTL]	
FIXEDNESS:	Wall-mounting case with screws	
POWER SUPPLY:	12V 500mA DC	
HOUSING:	Metal enclosure	
GROSS DIMENSIONS:	270 × 180 × 75 mm	
GROSS WEIGHT:	570 g	



### TYPICAL APPLICATIONS

Any Projection or display system that required audio to be split from HDMI:

- Schools (Lab, Hall etc) • Churches • Corporate Applications (Function Room) • Rental
- Exhibition • Show room

\* Specifications are subject to change without notice.

# AMP-S025A

## ECO DIGITAL MIXER AMPLIFIER (25 WATTS PER CHANNEL)



### DESCRIPTION

The ABTUS **AMP-S025A** is a new Digital Mixer Amplifier that design to deliver quality stereo amplification, in a compact and high-efficiency box. With an output power at 2 x 25 watts, the new generation of Eco digital power amplifiers offer a powerful and versatile answer to any installation's need especially in a multimedia classroom.

With its unique "Auto Power ON/OFF base on input signal detection" it has a low 4.5 watts of power consumption in a typical usage, a low 3.3 watts in standby mode and 0.0 watts under sleep mode, which make this the most eco-friendly amplification solution ever.

### FEATURES

- Powered with switching power adaptor for maximum power efficiency
- Integrated with digital amplifier with low power consumption
- Integrated with input signal sensing with Auto Power ON/OFF
- Fully Eco Friendly digital mixer amplifier system (\*energy saving)

### TECHNICAL SPECIFICATION

	SIGNAL TYPE	CONNECTOR TYPE
INPUT:	1 x Stereo Audio Line-in	2 x RCA Female Connector
	1 x Stereo Audio Line-in	1 x 3.5mm Stereo min Jack
	2 x Microphone	2 x 6.3mm Phone Jack
OUTPUT:	1 x Left and Right Speaker	1 x 4pin Screw Type Terminal Block
	1 x Line Out	1 x 3pin Screw Type Terminal Block
	1 x 12V DC, 1A	1 x 2pin Screw Type Terminal Block

OUTPUT POWER: 25W + 25W (\*base on 4 ohm speaker)

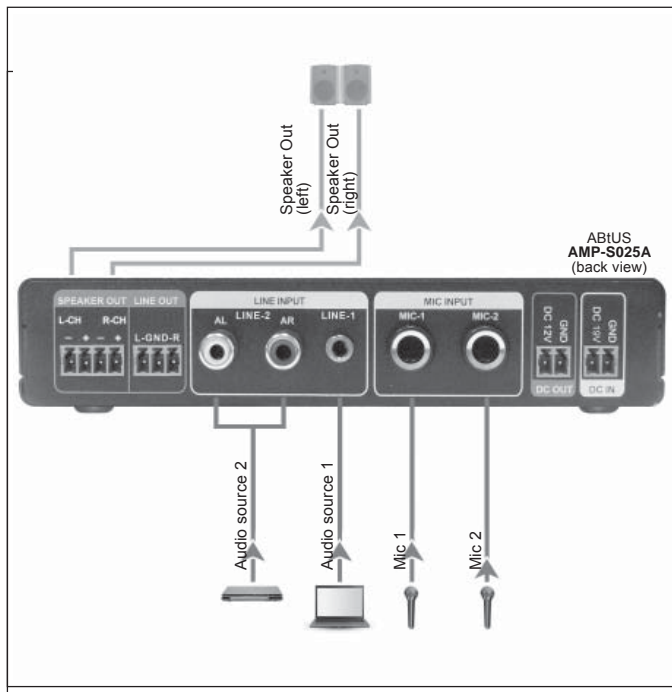
FREQUENCY RANGE: 20 Hz to 20 KHz (Amplifier)

POWER SUPPLY: Switching AC DC Power Adaptor 18V DC 3.33A

GROSS DIMENSIONS: 267 x 185 x 80 mm

GROSS WEIGHT: 1.9 kg

	SLEEP MODE	STANDBY MODE	TYPICAL USAGE
CURRENT:	0.00A	0.05A	0.06A
POWER CONSUMPTION:	0 Watt	3.3 Watt	4.5 Watt



### TYPICAL APPLICATIONS

This Eco Digital Mixer Amplifier is suitable for Multimedia classroom, Meeting room and Board room.

\* Specifications are subject to change without notice.

**ABTUS**

# AMP-S040/AP1

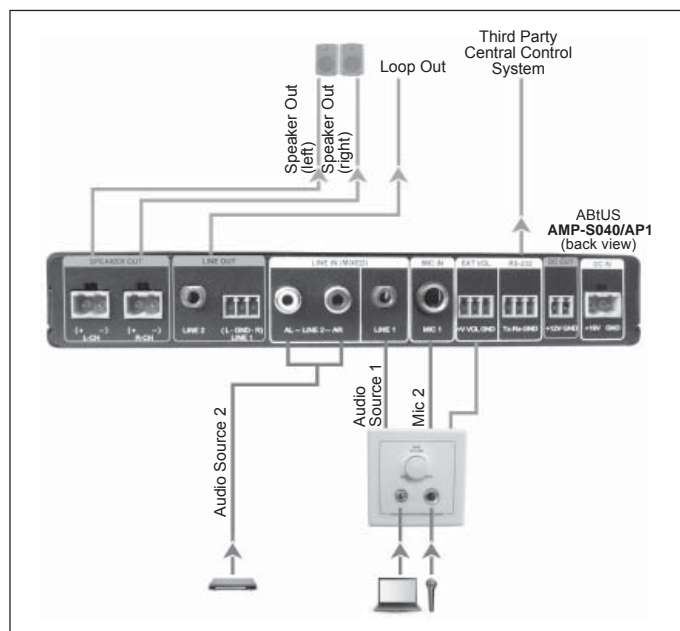
## COMPACT ECO DIGITAL MIXER AMPLIFIER



### DESCRIPTION

The ABUS **AMP-S040/AP1** is a new Eco Amplifier System that design to deliver quality stereo amplification. With it's compact size and output power of 2 x 40 watts. This amplifier provide a new generation of energy savings. Digital Amplifier system that offer a powerful and versatile answer to any installation's needs especially with a short throw projection system or in a multi media classroom.

With its unique "Auto Power ON/OFF base on input signal detection" and digital amplification circuit, it consume as low as 4.5 watts in a typical usage, which make this the most Eco-friendly amplification solution ever. External volume and RS-232 control is integrated so tat Volume could be controlled by a external volume control or and third party central control system.



### TYPICAL APPLICATIONS

Any audio integration that required simple and a Eco power saving audio amplification speaker system.

- Schools (Lab, Hall etc) • Churches • Corporate Applications (Function Room) • Rental

### FEATURES

- Powered with switching power adaptor for maximum power efficiency
- Integrated with Class-D digital amplifier with low power consumption
- Integrated with input signal sensing with Auto Power ON/OFF
- Fully Eco Friendly digital mixer amplifier system (\*energy saving)
- Integrated with external Volume and RS-232 Control connectivity
- Build in with 12V 1A output power for powering of any external devices (e.g Media Control Switcher)

### TECHNICAL SPECIFICATION

	SIGNAL TYPE	CONNECTOR TYPE
INPUT:	1 × Stereo Audio Line-in	2 × RCA Female Connector
	1 × Stereo Audio Line-in	1 × 3.5mm Stereo min Jack
	1 × Microphone	1 × 6.3mm Phone Jack
OUTPUT:	1 × Left and Right Speaker	2 × 2pin 3.8mm Screw Type Terminal Block
	2 × Line Out (loop out)	1 × 3.5mm Screw Type Terminal Block
	1 × 12V DC, 1A	1 × 3pin 3.8mm Screw Type Terminal Block
CONTROL	1 × External Volume Control	1 × 3pin 3.8mm Screw Type Terminal Block
	1 × RS-232	1 × 3pin 3.8mm Screw Type Terminal Block
OUTPUT POWER:	40W + 40W (*base on 4 ohm speaker)	
FREQUENCY RANGE:	20 Hz to 20 KHz (Amplifier)	
POWER SUPPLY:	Switching AC DC Power Adaptor 16V DC 5.6A	
GROSS DIMENSIONS:	320 × 242 × 50 mm	
GROSS WEIGHT:	2 kg	

\* Specifications are subject to change without notice.

## SPS-866C

ACTIVE MEDIA SPEAKER [20-WATT PER CHANNEL]



### TECHNICAL SPECIFICATION

OUTPUT POWER:	20W + 20W (RMS)
SPEAKER UNIT:	Tweeter : 1" (shielded) Woofer : 5" (shielded)
IMPEDANCE:	4 (OHM)
FREQUENCY RESPONSE:	Amplifier : 20Hz to 20KHz Speaker : 30Hz to 18KHz
INPUT PORT:	2 x RCA
TREBLE ADJUST:	+ 10dB
BASS ADJUST:	+ 10dB
SEPARATION:	• 45 dB
S/N RATION:	• 75 dB
DIMENSION:	(16 x 23 x 31)cm
POWER SUPPLY:	AC 240V 50Hz
ACCESSORY:	1 x Speaker connection cable and 1 x 2RCA cable

## SPS-A030A

2-WAY INDOOR POWERED SPEAKERS [30 WATTS PER CHANNEL]



### TECHNICAL SPECIFICATION

- Ideal for monitor, AV applications
- Stereo inputs RCA mini stereo jack
- Stylish design, suited for place everywhere
- Good at efficiency

POWER CAPACITY:	2 x 30 Watts
FREQUENCY RANGE:	100Hz-20kHz
IMPEDANCE:	4 Ohm
SENSITIVITY:	88dB
WOOFERS:	5 1/4" Polypropylene
GROSS DIMENSIONS:	440 x 210 x 270 mm
GROSS WEIGHT:	6.2 kg

## SPS-S030A

PASSIVE SPEAKER SYSTEM [30 WATTS PER CHANNEL]



### TECHNICAL SPECIFICATION

- Ideal for monitor, AV applications
- Stylish design, suited for place everywhere
- Good at efficiency

POWER CAPACITY:	2 x 30 Watts
FREQUENCY RANGE:	100Hz-20kHz
IMPEDANCE:	4 Ohm
SENSITIVITY:	88dB
WOOFERS:	5 1/4" Polypropylene
GROSS DIMENSIONS:	440 x 210 x 270 mm
GROSS WEIGHT:	6.2 kg

\* Specifications are subject to change without notice.

**ABTUS**



## SPS-S030A/P1

### ECO DIGITAL AMPLIFIER SPEAKER SYSTEM (30 WATTS PER CHANNEL)



#### TECHNICAL SPECIFICATION

- Integrated with digital audio amplifier with a low power consumption
- RS-232 controllable
- A fully ECO friendly speaker system

POWER CAPACITY:	2 × 30 Watts
FREQUENCY RANGE:	20 Hz to 20 KHz (Amplifier) 30 Hz to 18 KHz (Speaker)
IMPEDANCE:	4 Ohm
SENSITIVITY:	88dB
GROSS DIMENSIONS:	435 × 205 × 270 mm
GROSS WEIGHT:	6 kg

## SPS-S035

### PASSIVE SPEAKER SYSTEM (35 WATTS PER CHANNEL)



#### TECHNICAL SPECIFICATION

- Ideal for monitor, AV applications
- Stylish design, suited for place everywhere
- Good at efficiency

POWER CAPACITY:	2 × 35 Watts
FREQUENCY RANGE:	30 Hz to 18 KHz (Speaker)
IMPEDANCE:	8 Ohm
SENSITIVITY:	89dB
GROSS DIMENSIONS:	425 × 250 × 330 mm
GROSS WEIGHT:	6.8 kg

\* Specifications are subject to change without notice.

## SPS-S035A1

### SPEAKER SYSTEM WITH ECO DIGITAL AMPLIFIER (35 WATTS PER CHANNEL)



#### TECHNICAL SPECIFICATION

	SIGNAL TYPE	CONNECTOR TYPE
INPUT:	2 × Stereo Audio Line-in (Mixed)	2 × 3pin screw type terminal block
OUTPUT:	1 × Left Speaker	1 × 2pin screw type terminal block
	2 × 12V DC (Max 1A)	2 × 2pin screw type terminal block
	1 × Line out (Loop out)	1 × 3pin screw type terminal block
CONTROL	RS-232	NIL
PORT:	External Volume Control (0~5V)	NIL
OUTPUT POWER:	35W + 35W	
SPEAKER UNIT:	Tweeter	1" (balanced dome)
	Woofers	5 3/4" PP cone
SENSITIVITY:	89 dB	
FREQUENCY RANGE:	20 Hz to 20 KHz (Amplifier) 30 Hz to 18 KHz (Speaker)	
IMPEDANCE:	8 Ohm	
TREBLE ADJUST:	± 10 dB	
BASS ADJUST:	± 10 dB	
SEPERATION:	≥ 45 dB	
S/N RATIO:	≥ 75 dB	
POWER SUPPLY:	Switching Power Supply unit AC 100~240V 50/60 Hz	
HOUSING:	ABS enclosure	
GROSS DIMENSIONS:	425 × 250 × 330 mm	
GROSS WEIGHT:	6.8 kg	

## SPS-S035A/P1

### SPEAKER SYSTEM WITH ECO DIGITAL AMPLIFIER (35 WATTS PER CHANNEL)



#### TECHNICAL SPECIFICATION

	SIGNAL TYPE	CONNECTOR TYPE
INPUT:	2 × Stereo Audio Line-in (Mixed)	2 × 3pin screw type terminal block
OUTPUT:	1 × Left Speaker	1 × 2pin screw type terminal block
	2 × 12V DC (Max 1A)	2 × 2pin screw type terminal block
	1 × Line out (Loop out)	1 × 3pin screw type terminal block
CONTROL	RS-232	1 × 3pin screw type terminal block
PORT:	External Volume Control (0~5V)	1 × 3pin screw type terminal block
OUTPUT POWER:	35W + 35W	
SPEAKER UNIT:	Tweeter	1" (balanced dome)
	Woofers	5 3/4" PP cone
SENSITIVITY:	89 dB	
FREQUENCY RANGE:	20 Hz to 20 KHz (Amplifier) 30 Hz to 18 KHz (Speaker)	
IMPEDANCE:	8 Ohm	
TREBLE ADJUST:	± 10 dB	
BASS ADJUST:	± 10 dB	
SEPERATION:	≥ 45 dB	
S/N RATIO:	≥ 75 dB	
POWER SUPPLY:	Switching Power Supply unit AC 100~240V 50/60 Hz	
HOUSING:	ABS enclosure	
GROSS DIMENSIONS:	425 × 250 × 330 mm	
GROSS WEIGHT:	6.8 kg	

\* Specifications are subject to change without notice.

**ABTUS**

# PWR-DA06C

## ECO ENERGY SAVING AC/DC POWER SEQUENCER WITH RS-232/485 CONTROLS

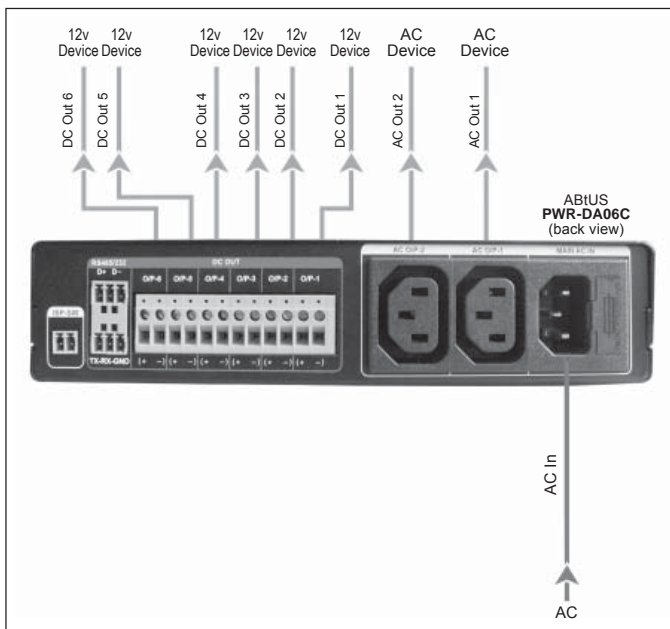


### DESCRIPTION

The ABTUS PWR-DA06C is a energy saving power sequencer that allows programmable sequencing delay (On/Off) through RS-232. With its unique I/O that features both AC and DC outputs, it can achieve greater flexibility and is suitable for practically any application. RS-485 and RS-232 control are also integrated so that the power sequencer could control any external audio video equipment such as TV displays, projectors or audio system etc. Ideal for rack systems, digital signage and large venues AV.

### FEATURES

- Programmable sequencing delay ON/OFF through RS-232
- Integrated with RS-232 and RS-485 for external controls
- 6 DC outputs with 2 AC outputs



### TYPICAL APPLICATIONS

Any professional presentation system requiring quick and easy disconnect and reconnection control unit on mobile.

- Schools (Media Classroom) • Churches • Corporate Applications (Meeting Room)

### TECHNICAL SPECIFICATION

	SIGNAL TYPE	CONNECTOR TYPE
INPUT:	1 × AC in	D-Shape male
OUTPUT:	2 × AC out 6 × DC out	D-Shape male 3.8mm Terminal Block
CONTROL:	1 × 485 1 × RS-232	3.8mm 3pin Terminal Block 3.8mm 3pin Terminal Block
OUTPUT POWER:		
DC OUTPUT:	6 × 12V DC 5A max	
AC OUTPUT:	Base on AC input supply	
GROSS DIMENSIONS:	360 × 242 × 80 mm	
GROSS WEIGHT:	2.6 kg	

\* Specifications are subject to change without notice.

# PWR-DA09C/P

## SEQUENCED OUTPUT POWER CONDITIONER (8 DELAY + 1) 10AMP



### DESCRIPTION

The ABTUS PWR-DA09C/P is a safe and convenient Sequenced Output Power Conditioner distribution unit offering sequenced protection to all valuable rack-mounted equipments. Sequenced power up of a complete power audio system from just a push of a switch that eliminates the loud "POP" sound which may damage speakers and other equipments connected.

The PWR-DA09C/P features sequenced power start up. During start up, each outlet is turned on one at a time with a delay time (Variable and programmable) between each other.

### FEATURES

- Multi-Stage surge protection
- Linear Filtering Technology
- Front panel power status LEDs
- External I/O allow remote operation
- 8 switched outlets (rear) and one pass through un-switched outlet (front)
- 12VDC supply (BNC) allow any gooseneck lamp or LEDs that provides a cool running source for the rack.

### TECHNICAL SPECIFICATION

MAX CURRENT RATING: 10 AMP (2400 Watts at 240 VAC)

INPUT VOLTAGE: 185 to 275 VAC without damage

DELAY INTERVALS: Total elapsed ON delay time adjustable from 1-60 seconds, with RS-232 for precise timing and sequence order

ON SEQUENCE: Respective relay goes ON base on programmed sequence/ order and delay time for each relay.

REMOTE SWITCH: Screw type terminal block, LED, Switch and GND

SPIKE PROTECTION MODES: Line to neutral, zero ground leakage

SPIKE CLAMPING VOLTAGE: 188 Vpk @ 3,000 amps, (133 VAC RMS)

RESPONSE TIME: 1 nanosecond

MAXIMUM SURGE CURRENT: 6,500 amps

RELAY RATING: 30Amps @ 240VAC

POWER CONSUMPTION: 4.5 Watts (standby), 14 Watts (all relay ON)

OVER VOLTAGE SHUT DOWN: 185V ±1% (Low), 265 ±1% (High)

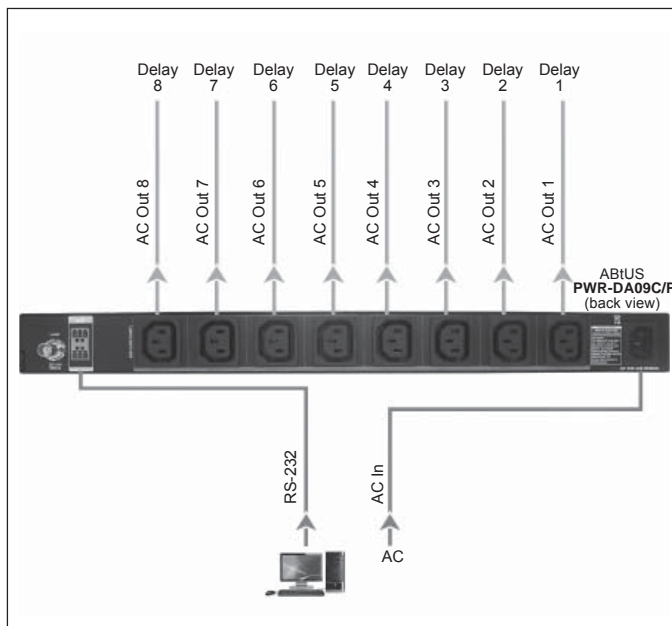
OPERATIONAL: 220/240V

HOUSING: Metal enclose

FIXEDNESS: Standard 1-U rack mount (\*with "L" bracket)

DIMENSION: 430 × 240 × 45 mm

WEIGHT: 3.6 kg



### TYPICAL APPLICATIONS

Any professional presentation system requiring quick and easy disconnect and reconnection control unit on mobile.

- Schools (Media Classroom) • Churches • Corporate Applications (Meeting Room)

\* Specifications are subject to change without notice.

**ABTUS**

# PWR-DA09C/PG

## SEQUENCED OUTPUT POWER CONDITIONER [8 DELAY + 1] 16AMP



### DESCRIPTION

Sequenced Output Power Conditioner distribution unit offering protection to all valuable rack-mounted equipments. Sequenced power up of a complete power audio system from just a push of a switch that eliminates the loud "POP" sound which may damage speakers and other equipments connected.

The PWR-DA09C/PG features sequenced power start up. During start up, each outlet is turned on one at a time with a delay time (Variable and programmable) between each other.

### FEATURES

- Multi-Stage surge protection
- Linear Filtering Technology
- Front panel power status LEDs
- External I/O allow remote operation
- 8 switched outlets (rear) and one pass through un-switched outlet (front)
- 12VDC supply (BNC) allow any gooseneck lamp or LEDs that provides a cool running source for the rack.

### TECHNICAL SPECIFICATION

MAX CURRENT RATING: 16 AMP (2400 Watts at 240 VAC)

INPUT VOLTAGE: 185 to 275 VAC without damage

DELAY INTERVALS: Total elapsed ON delay time adjustable from 1-60 seconds, with RS-232 for precise timing and sequence order

ON SEQUENCE: Respective relay goes ON base on programmed sequence/ order and delay time for each relay.

REMOTE SWITCH: Screw type terminal block, LED, Switch and GND

SPIKE PROTECTION MODES: Line to neutral, zero ground leakage

SPIKE CLAMPING VOLTAGE: 188 Vpk @ 3,000 amps, (133 VAC RMS)

RESPONSE TIME: 1 nanosecond

MAXIMUM SURGE CURRENT: 6,500 amps

RELAY RATING: 30Amps @ 240VAC

POWER CONSUMPTION: 4.5 Watts (standby), 14 Watts (all relay ON)

OVER VOLTAGE SHUT DOWN: 185V  $\pm$ 1% (Low), 265  $\pm$ 1% (High)

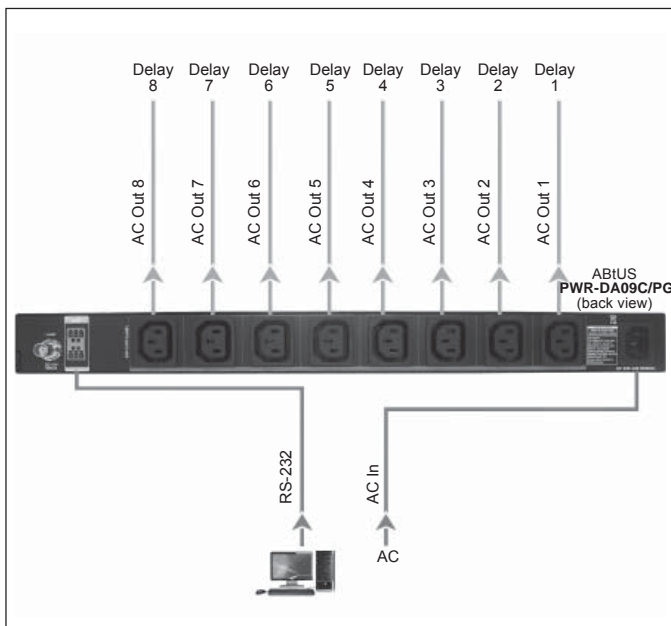
OPERATIONAL: 220/240V

HOUSING: Metal enclose

FIXEDNESS: Standard 1-U rack mount (\*with "L" bracket)

DIMENSION: 430 x 240 x 45 mm

WEIGHT: 3.6 kg



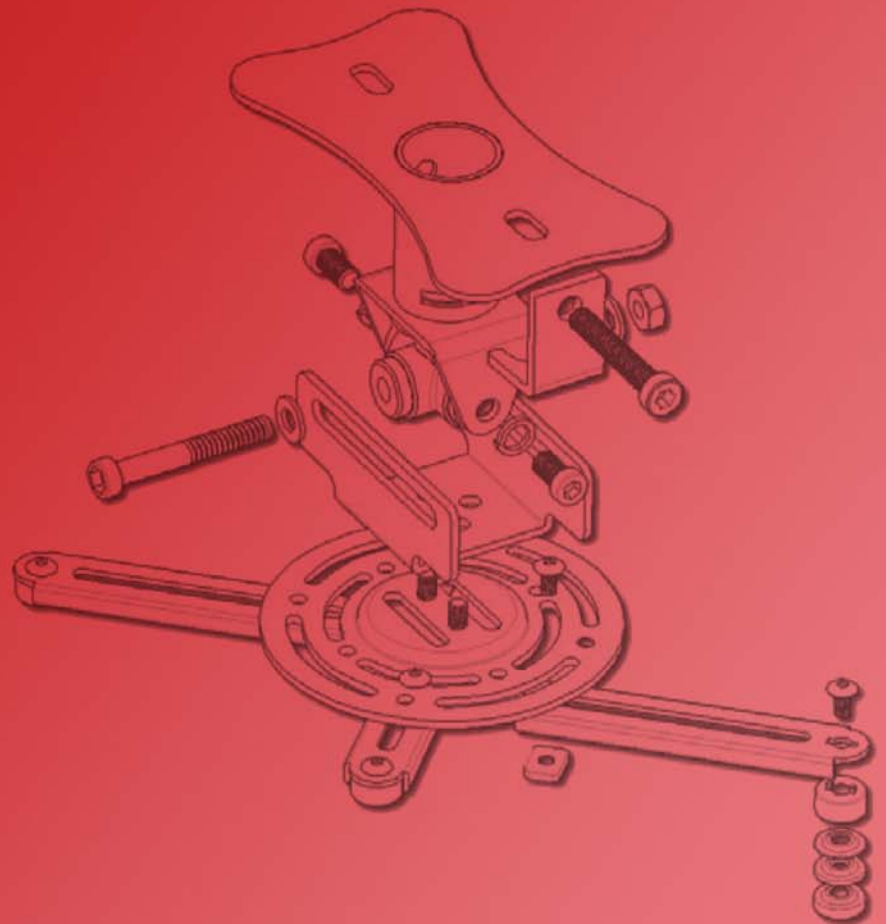
### TYPICAL APPLICATIONS

Any professional presentation system requiring quick and easy disconnect and reconnection control unit on mobile.

- Schools (Media Classroom) • Churches • Corporate Applications (Meeting Room)

\* Specifications are subject to change without notice.

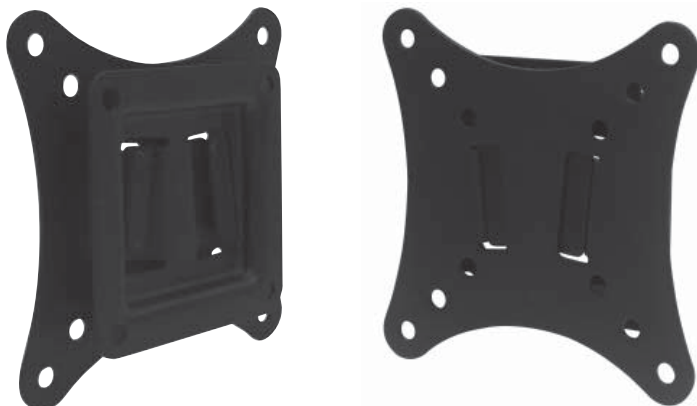
# Flat Panel Display Total Mounting Solution



## + MOUNTING SOLUTIONS

LCD Monitor Wall Mounts	111
Plasma/LCD Display Wall Mounts	114
Plasma/LCD Display Ceiling Mounts	121
Plasma/LCD Display Cantilever Mounts	125
Projector Mounts	138
Projector Cage	147
Plasma/LCD Display Mobile Stand	149
Accessory	152
Projector Lifter	164
LCD Monitor Lift	166

## AV608-F LCD MONITOR WALL MOUNT (FIXED)

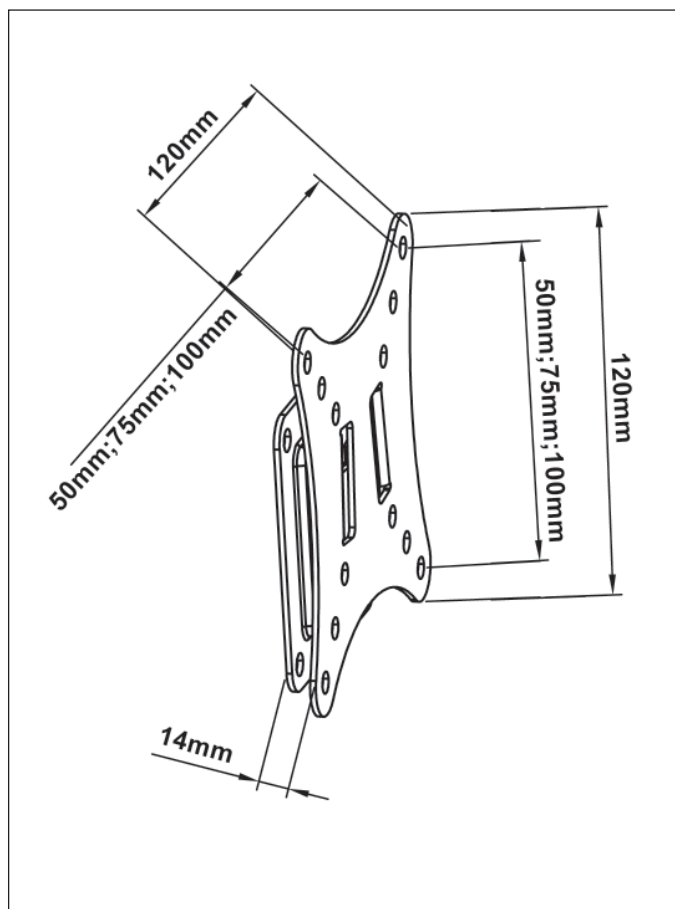


### DESCRIPTION

AV608-F LCD Monitor Wall Mount is stylish, durable and easy to install. ABtUS Universal LCD Monitor Wall Mount AV608-F supports any 10" – 24" flat panels. It's ultra sleek design provides the ultimate wall mounting solution that is safe and yet discreet, keeping the panel 16mm away from the wall.

### FEATURES

- Quick and easy installation
- Included with mounting kit (hardware)
- Economical mounting solution
- Light weight
- Security screws
- Quick slide-install, fixed mount



### TECHNICAL SPECIFICATION

SUITABLE SIZE:	10" to 24" LCD Monitor
GROSS DIMENSION:	135 × 130 × 35 (mm)
GROSS WEIGHT:	360 g (0.79 lbs)
DISTANCE FROM WALL:	14 mm
VESA STANDARD:	50 × 50 , 75 × 75, 100 × 100
LOAD CAPACITY:	Max 15 kg (33 lbs)

\* Specifications are subject to change without notice.

## AV608-T

### LCD MONITOR WALL MOUNT (TILT)



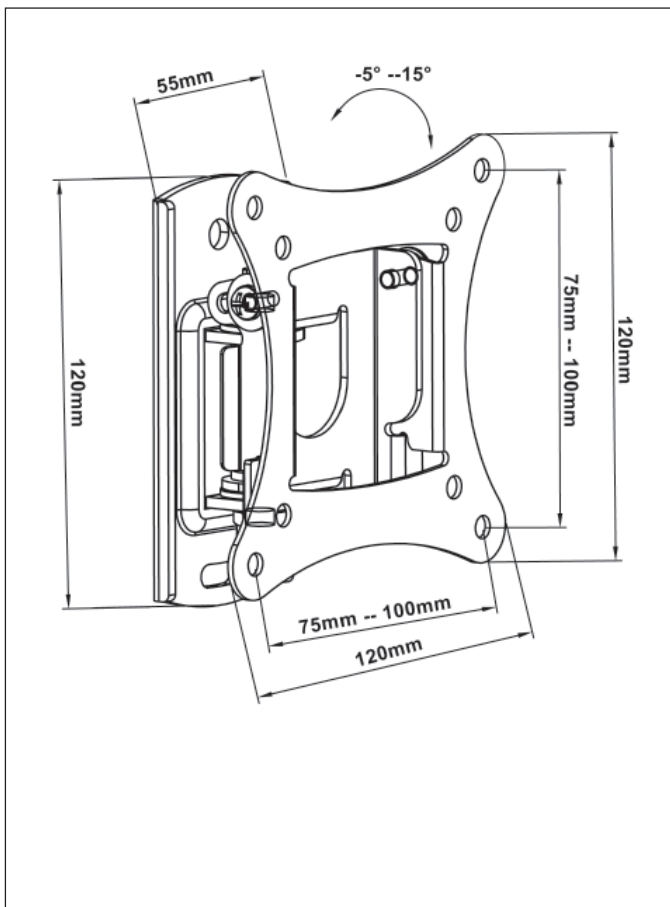
#### DESCRIPTION

AV608-T LCD Monitor Wall Mount is stylish, durable and easy to install.

ABtUS Universal LCD Monitor Wall Mount AV608-T supports any 10" – 27" fl at panels. Its ultra sleek design provides the ultimate wall mounting solution that is safe and yet discreet, keeping the panel 44mm away from the wall.

#### FEATURES

- Quick and easy installation
- Shelving for Audio/DVD player
- Castor wheels mounted for easy moving around
- Cable management
- Adjustable for viewing height
- Included with mounting kit (hardware)



#### TECHNICAL SPECIFICATION

SUITABLE SIZE:	10" to 27" LCD Monitor
GROSS DIMENSION:	130 × 125 × 65 (mm)
GROSS WEIGHT:	480 g (1.05 lbs)
DISTANCE FROM WALL:	56 mm
VESA STANDARD:	75 × 75 , 100 × 100
LOAD CAPACITY:	Max 15 kg (33 lbs)
TILT ANGLE:	- 5 / +15 degrees

\* Specifications are subject to change without notice.

**ABtUS**



## AV602-TC

### LCD MONITOR TABLE MOUNT (DOUBLE ARM)



#### DESCRIPTION

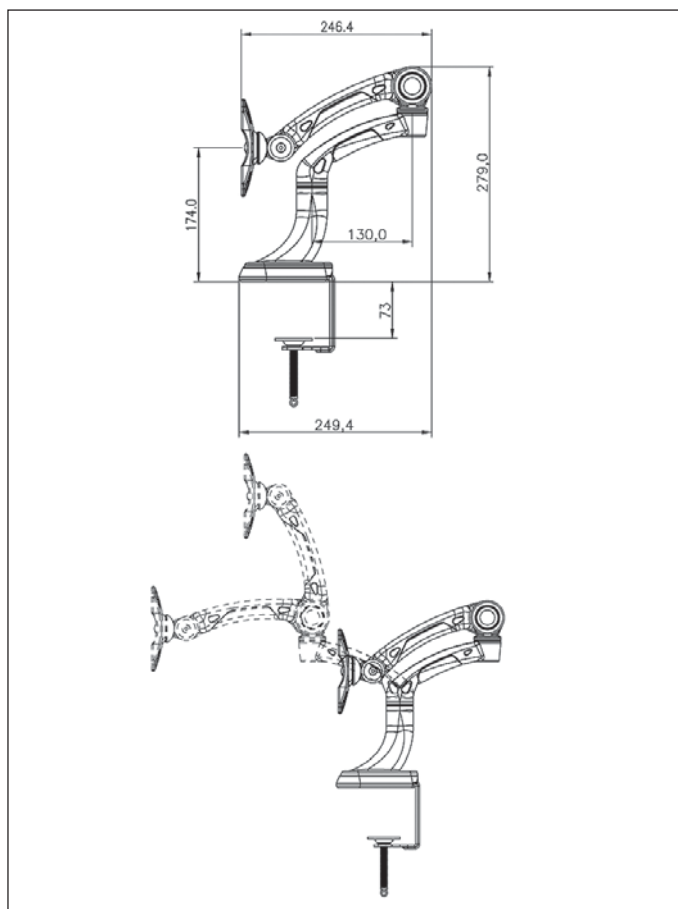
AV602-TC adds flexibility to your LCD. Simply push the side button while lifting the display, and then position it anywhere you want. Get ergonomics comfort for a great price. It is ideal for environment where the same display is shared by different users.

#### FEATURES

- Quick and easy installation
- Cable management
- Arms can be extended to max 385mm from where it is mounted
- Gear constructed mechanism allow front arm to be adjusted up to 250mm in height
- 360 degrees rotation allows all angle viewing.
- A pad to protect desk surface for desktop mounting.
- Suitable for desk with thickness from 25 to 70mm
- VESA standard 75/100 compliant

#### TECHNICAL SPECIFICATION

SUITABLE SIZE:	10" to 19" LCD Monitor
GROSS DIMENSION:	360 × 290 × 126 (mm)
GROSS WEIGHT:	2.6 kg (5.7 lbs)
LOAD CAPACITY:	8 kg (17.63 lbs)
COLOR OPTION:	Dark Silver



\* Specifications are subject to change without notice.

# AV410-P

## PLASMA/LCD DISPLAY PORTRAIT WALL MOUNT



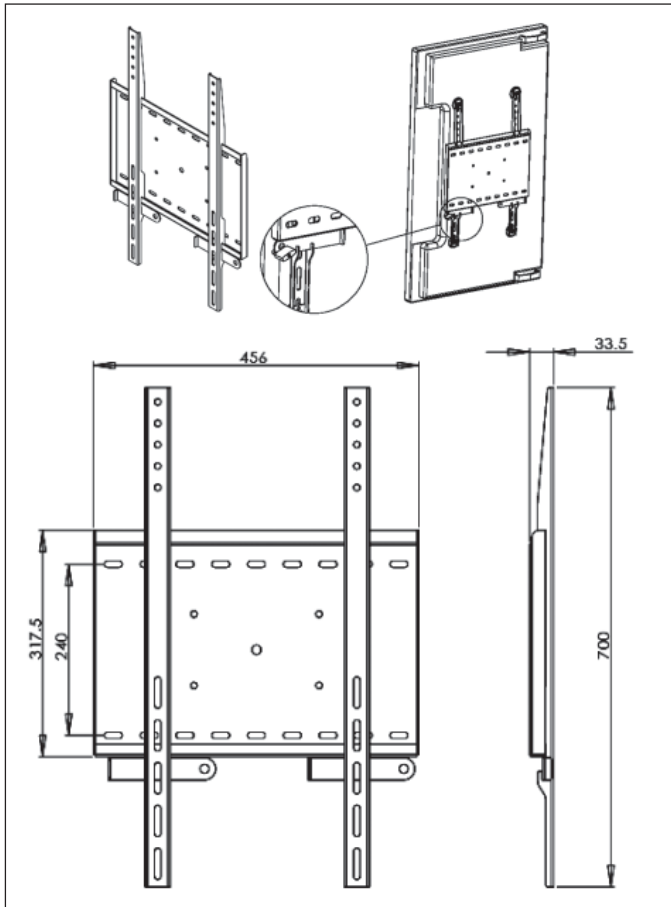
### DESCRIPTION

Behind your prized plasma display, you need a Great Support

This portrait wall mount allows 37" - 50" size plasma / LCD display to be installed in portrait position. It is widely used for signage, show case displays in exhibition halls, conference rooms and shopping malls .

### FEATURES

- Fast and easy installation Fixed Mount
- Slim design only 33.5mm from the wall
- Sliding lateral on-wall adjustment
- Included with mounting kit (hardware)
- Locking bars for added security
- Economical mounting solution
- Universal to wide range of LCD/Plasma display



### TECHNICAL SPECIFICATION

PLASMA SIZE: Suitable for 37" to 50"

GROSS DIMENSION: 456 × 700 × 33.5 (mm)  
17.9" × 27.5" × 1.3"

GROSS WEIGHT: 6.1 kg (13.4 lbs)

DISTANCE FROM WALL: 33.5 mm (1.25")

LOAD CAPACITY: 50 kg (110 lbs)

COLOR OPTION: Black

\* Specifications are subject to change without notice.

**ABTUS**

# AV410-L

## PLASMA/LCD DISPLAY PORTRAIT WALL MOUNT



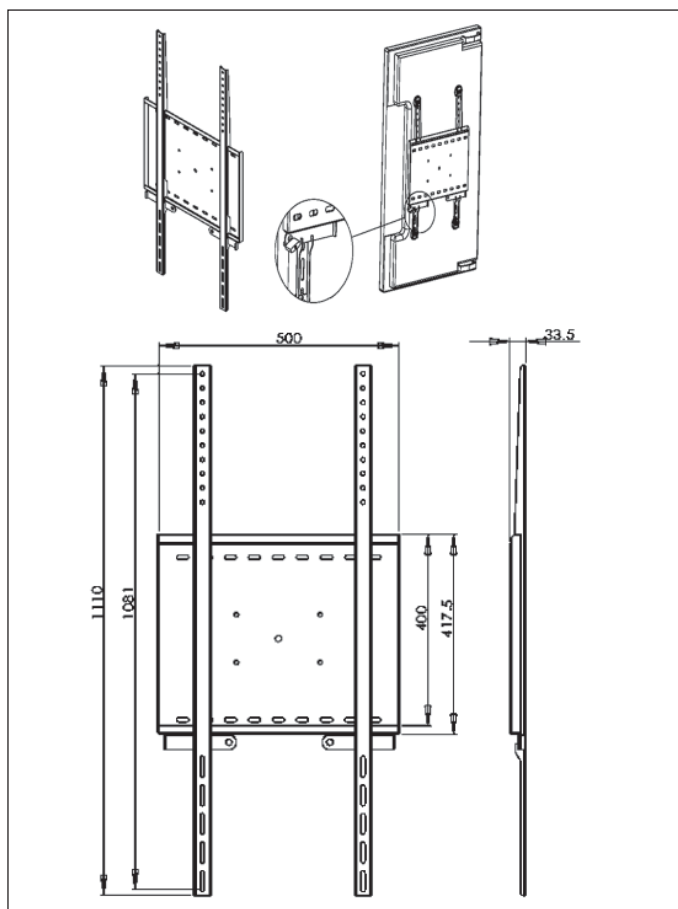
### DESCRIPTION

#### Behind your prized plasma display, you need a Great Support

This portrait wall mount allows 50" - 65" size plasma / LCD displays to be installed in portrait position. It is widely used for signage, show case display in exhibition hall, conference room and shopping mall.

### FEATURES

- Fast and easy installation Fixed Mount
- Slim design only 33.5mm from the wall
- Sliding lateral on-wall adjustment
- Included with mounting kit (hardware)
- Locking bars for added security
- Economical mounting solution
- Universal to wide range of LCD/Plasma display



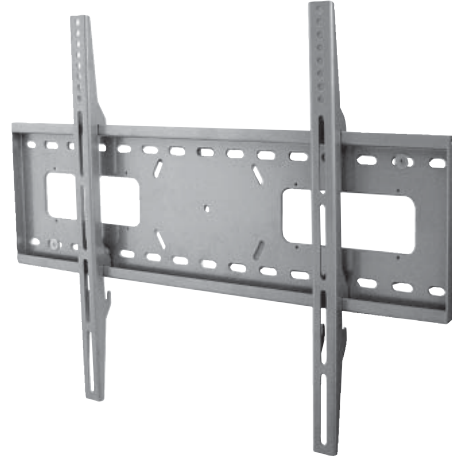
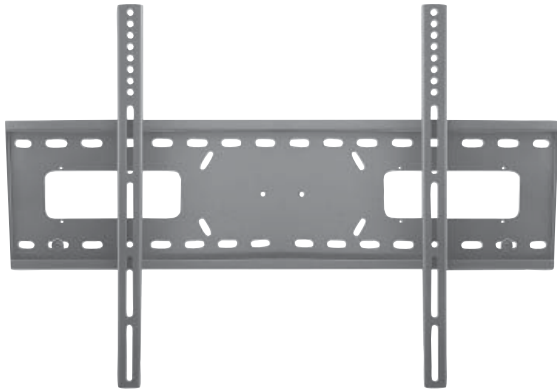
### TECHNICAL SPECIFICATION

PLASMA SIZE:	Suitable for 50" to 65"
GROSS DIMENSION:	500 × 1110 × 33.5 (mm) 19.6" × 43.3" × 1.3"
GROSS WEIGHT:	9 kg (19.8lbs)
DISTANCE FROM WALL:	33.5mm (1.25")
LOAD CAPACITY:	65 kg (143 lbs)
COLOR OPTION:	Black

\* Specifications are subject to change without notice.

# AV415-W

## PLASMA/LCD DISPLAY FIXED WALL MOUNT



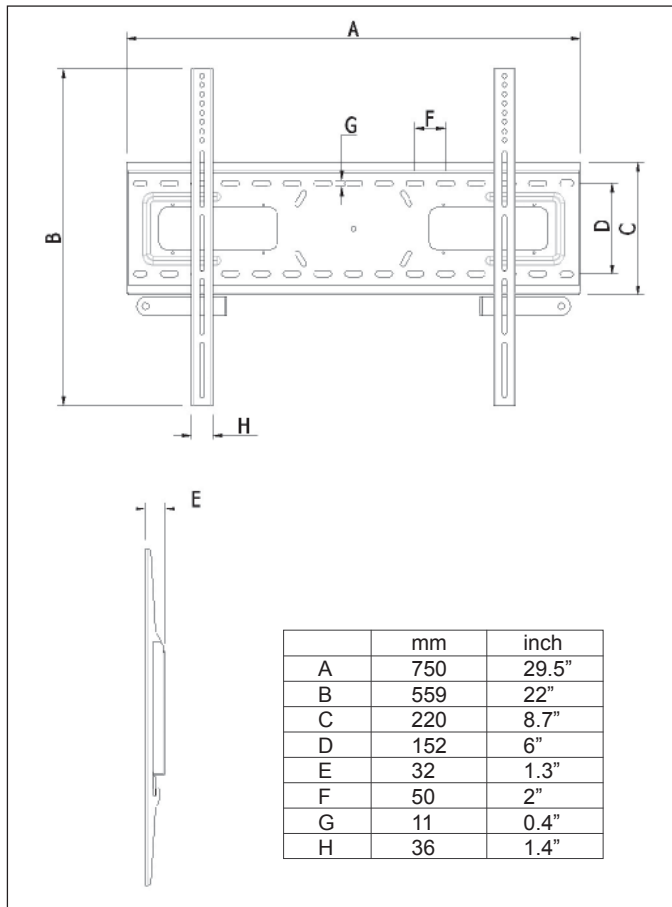
### DESCRIPTION

Behind your prized plasma display, you need a Great Support

Designed for all discerning owners of their prized flat plasmas and LCDs, ABTUS Universal Plasma/LCD Fixed Wall Mount AV415-W supports any 37" – 50" flat panels. Its ultra sleek design provides the ultimate wall mounting solution that is very safe and discreet, keeping the panel 1.25" (32mm) away from the wall.

### FEATURES

- Fast and easy installation Fixed Mount
- Slim design only 32mm from the wall
- Sliding lateral on-wall adjustment
- Included with mounting kit (hardware)
- Locking bars for added security
- Economical mounting solution
- Light weight
- Universal to wide range of LCD/Plasma display



### TECHNICAL SPECIFICATION

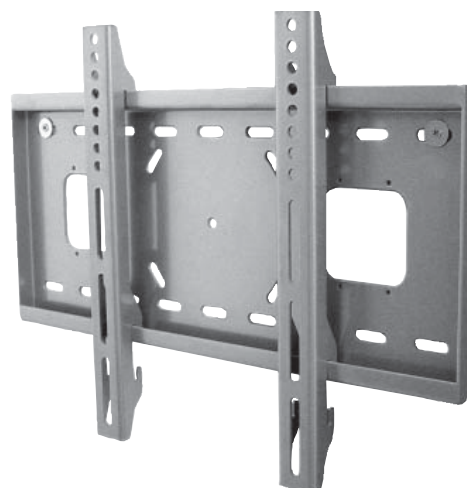
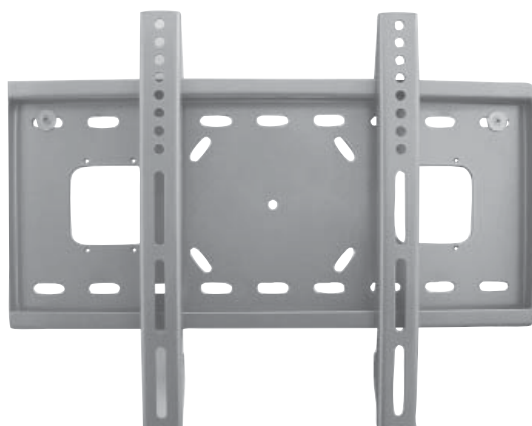
PLASMA SIZE:	Suitable for 37" to 50"
GROSS DIMENSION:	775 × 230 × 80 (mm)
GROSS WEIGHT:	5.4kg (11.9lbs)
WALL PLATE DIMENSION:	750 mm (29.5") × 220 mm (8.7")
LENGTH OF HOOK:	558.8 mm (22")
DISTANCE FROM WALL:	32 mm (1.25")
LOAD CAPACITY:	68kg (150 lbs)
COLOR OPTION:	Black or Silver

\* Specifications are subject to change without notice.

**ABTUS**

## AV415-W2

### PLASMA/LCD DISPLAY FIXED WALL MOUNT



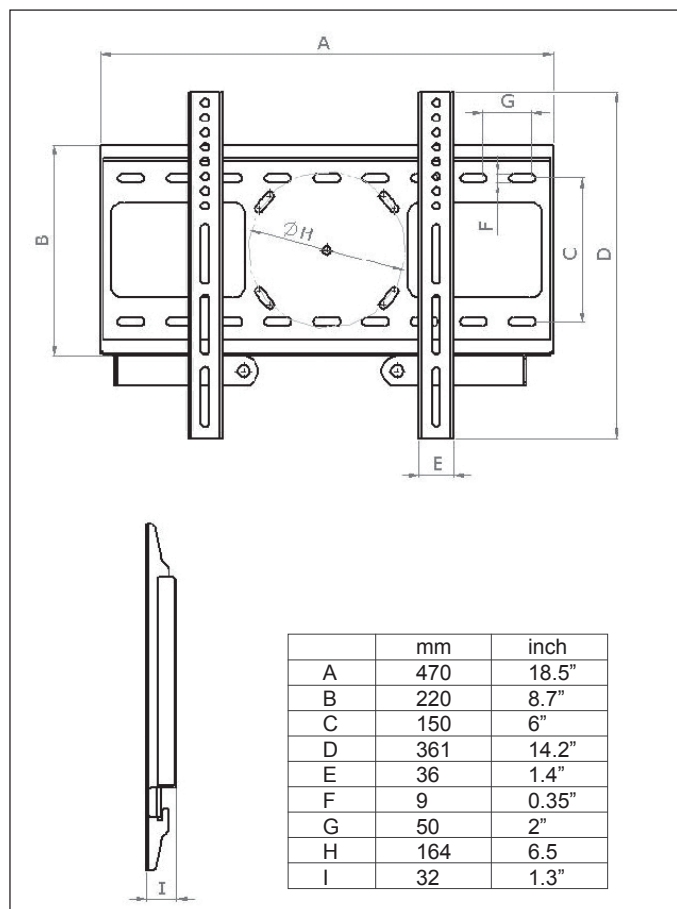
#### DESCRIPTION

Behind your prized plasma display, you need a Great Support

Designed for all discerning owners of their prized flat plasmas and LCDs, ABTUS Universal Plasma/LCD Fixed Wall Mount AV415-W2 supports any 23" – 37" flat panels. Its ultra sleek design provides the ultimate wall mounting solution that is very safe and discreet, keeping the panel 1.25" (32mm) away from the wall.

#### FEATURES

- Fast and easy installation Fixed Mount
- Slim design only 32mm from the wall
- Sliding lateral on-wall adjustment
- Included with mounting kit (hardware)
- Locking bars for added security
- Economical mounting solution
- Light weight
- Universal to wide range of LCD/Plasma display



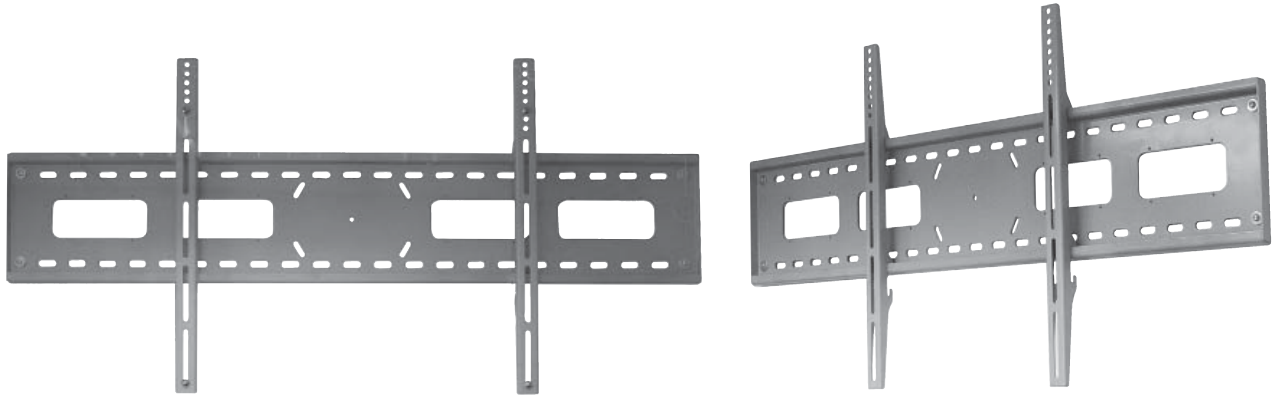
#### TECHNICAL SPECIFICATION

PLASMA SIZE:	Suitable for 23" to 37"
GROSS DIMENSION:	510 × 230 × 80 (mm)
GROSS WEIGHT:	3.6 kg (7.9 lbs)
WALL PLATE DIMENSION:	470 mm (18.5") × 220 mm (8.7")
LENGTH OF HOOK:	361 mm (14.21")
DISTANCE FROM WALL:	32 mm (1.25")
LOAD CAPACITY:	45 kg (100 lbs)
COLOR OPTION:	Black or Silver

\* Specifications are subject to change without notice.

# AV415W-XL

## PLASMA/LCD DISPLAY FIXED WALL MOUNT



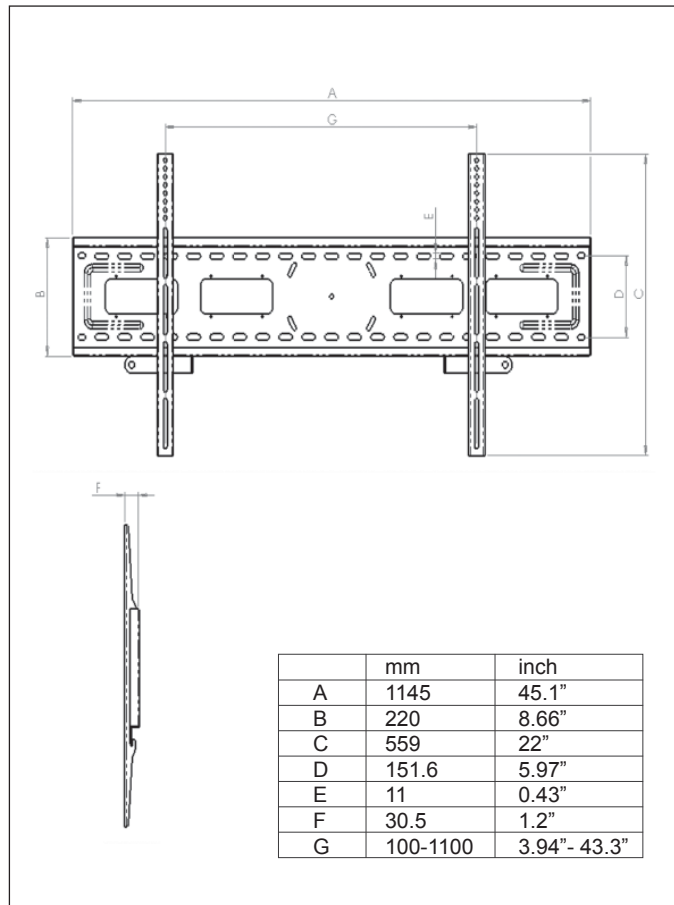
### DESCRIPTION

#### Behind your prized plasma display, you need a Great Support

Designed for all discerning owners of their prized flat plasmas and LCDs, ABtUS Universal Plasma/LCD Fixed Wall Mount AV415-XL supports for 51" – 65" flat panels. Its ultra sleek design provides the ultimate wall mounting solution that is very safe and discreet, keeping the panel 1.25" (32mm) away from the wall.

### FEATURES

- Fast and easy installation Fixed Mount
- Slim design only 32mm from wall
- Sliding lateral on-wall adjustment
- Included with mounting kit (hardware)
- Locking bars for added security
- Universal to wide range of LCD/Plasma display



### TECHNICAL SPECIFICATION

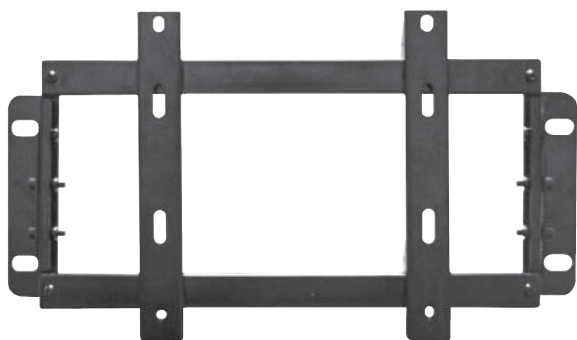
PLASMA SIZE:	Suitable for 51" to 65"
GROSS DIMENSION:	1230 × 305 × 190 (mm)
GROSS WEIGHT:	17.8 kg (39.2 lbs)
WALL PLATE DIMENSION:	1145 mm (45.1") × 220 mm (8.7")
LENGTH OF HOOK:	558.8 mm (22")
DISTANCE FROM WALL:	32 mm (1.25")
LOAD CAPACITY:	74 kg (134 lbs)
COLOR OPTION:	Silver

\* Specifications are subject to change without notice.

**ABTUS**

# AV483-L360

## PLASMA/LCD DISPLAY TILT WALL MOUNT



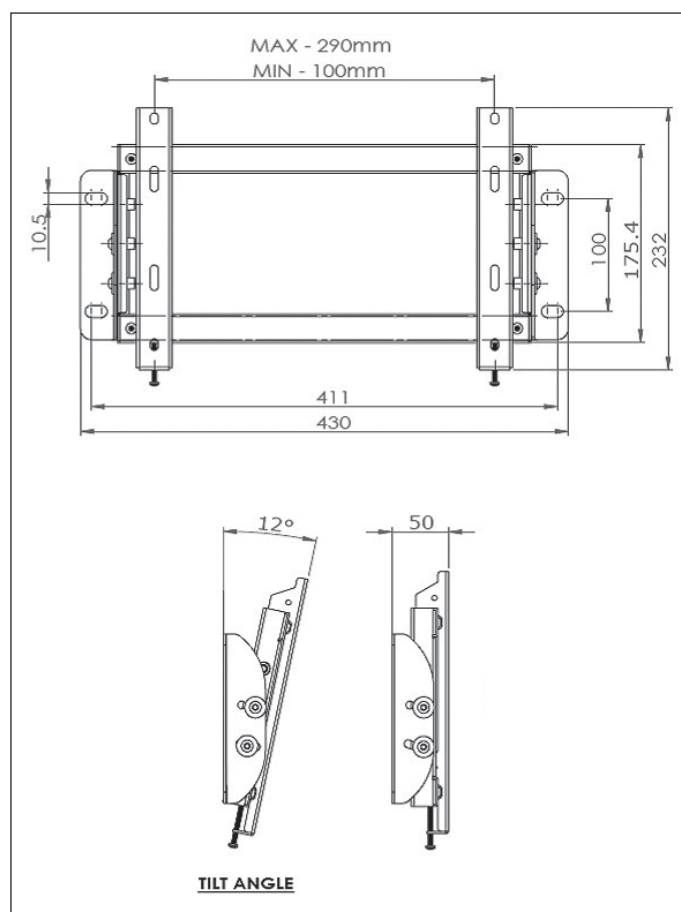
### DESCRIPTION

Behind your prized plasma display, you need a Great Support

Designed for all discerning owners of their prized flat plasmas and LCDs, ABtUS Universal Plasma/LCD Tilt Wall Mount AV483-L360 support any 23" – 37" flat panels. Its ultra sleek design provides the ultimate wall mounting solution that is very safe and discreet, keeping the panel 1.97" (50mm) away from the wall.

### FEATURES

- Fast and easy installation Fixed Mount
- Sliding lateral on-wall adjustment
- Included with mounting kit (hardware)
- Locking screws for added security



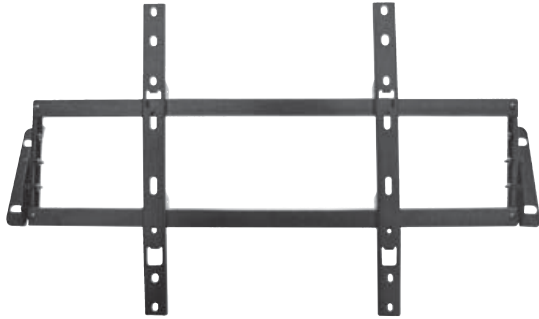
### TECHNICAL SPECIFICATION

PLASMA SIZE:	Suitable for 23" to 37"
WALL PLATE DIMENSION:	430 mm (16.9") × 175.4 mm (6.9")
LENGTH OF HOOK:	232 mm (9.1")
TILT ANGLE:	12 degrees
DISTANCE FROM WALL:	50 mm (1.97")
LOAD CAPACITY:	36 kg (80 lbs)
COLOR OPTION:	Black

\* Specifications are subject to change without notice.

# AV483-L750

## PLASMA/LCD DISPLAY TILT WALL MOUNT



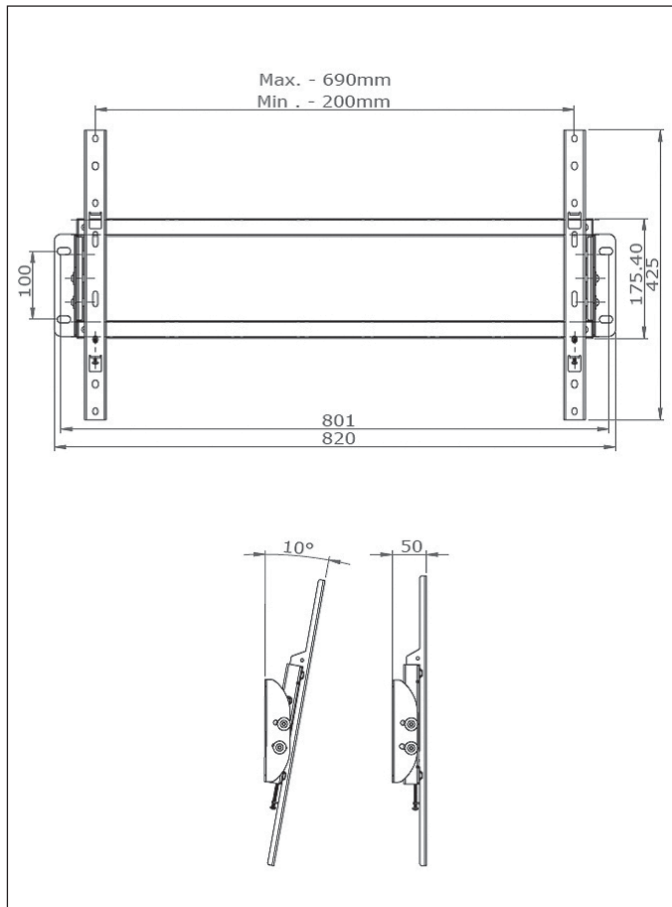
### DESCRIPTION

Behind your prized plasma display, you need a Great Support

Designed for all discerning owners of their prized flat plasmas and LCDs, ABtUS Universal Plasma/LCD Tilt Wall Mount AV483-L750 support any 37" – 50" flat panels. Its ultra sleek design provides the ultimate wall mounting solution that is very safe and discreet, keeping the panel 1.97" (50mm) away from the wall.

### FEATURES

- Fast and easy installation Fixed Mount
- Sliding lateral on-wall adjustment
- Includes mounting hardware kit
- Locking screws for added security



### TECHNICAL SPECIFICATION

PLASMA SIZE:	Suitable for 37" to 50"
WALL PLATE DIMENSION:	820 mm (32.3") × 425 mm (16.7")
LENGTH OF HOOK:	425 mm (16.7")
TILT ANGLE:	10 degrees
DISTANCE FROM WALL:	50 mm (1.97")
LOAD CAPACITY:	45.5 kg (100 lbs)
COLOR OPTION:	Black

\* Specifications are subject to change without notice.

**ABtUS**



# AV417

## PLASMA/LCD DISPLAY CEILING MOUNT (DOUBLE)

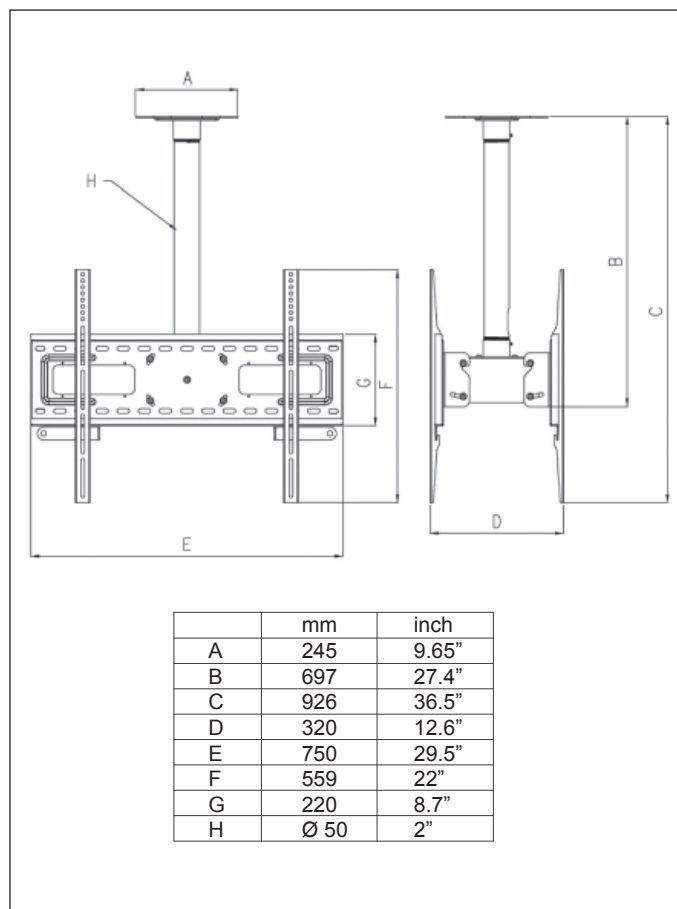


### DESCRIPTION

Extremely flexible design allows you to fit almost any popular Plasma/LCD in the industry.

### FEATURES

- Fast and easy installation
- 360° Rotation viewing angle
- Includes mounting hardware kit
- Locking bars for added security



### TECHNICAL SPECIFICATION

PLASMA SIZE: Suitable for 37" to 50"

GROSS DIMENSION: 790 × 270 × 330 (mm)

GROSS WEIGHT: 21.5 kg (47.3 lbs)

LENGTH OF HOOK: 559 mm (22")

TILT ANGLE: +20 degree / -5 degree

LOAD CAPACITY: 100 kg (220 lbs)

COLOR OPTION: Black

\* Specifications are subject to change without notice.

# AV417-V1

## PLASMA/LCD DISPLAY CEILING MOUNT (DOUBLE)

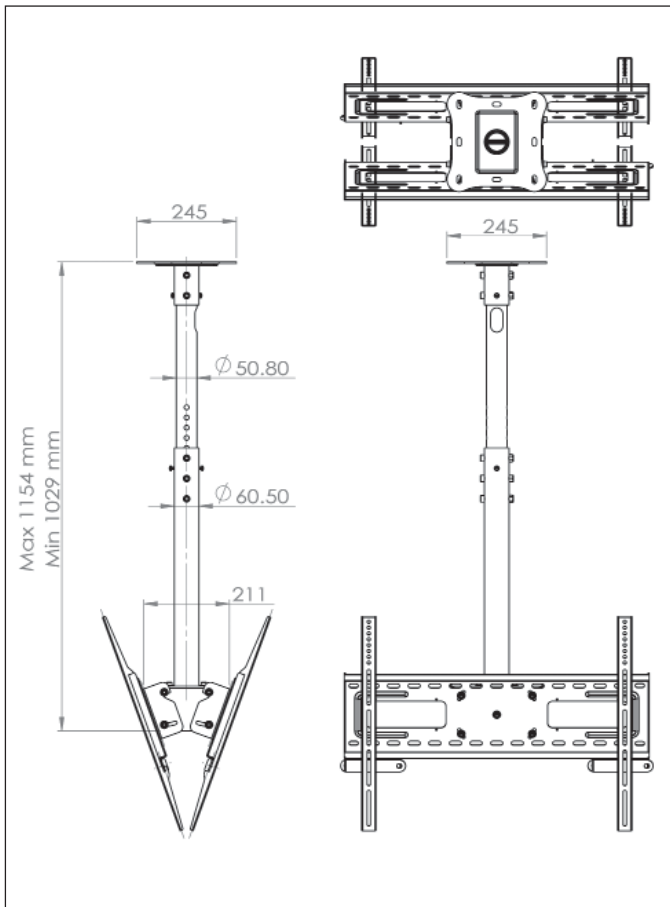


### DESCRIPTION

AV417-V1 is a durable ceiling mount for mounting two TVs back to back widely used in shopping malls with adjustable extension poles for variable height installation.

### FEATURES

- Fast and easy installation
- 360 degrees rotation
- Tilt max 20 degrees on both sides
- Included with mounting kit (hardware)
- Lock bars for added security
- Extendable pole construction
- Cable management



### TECHNICAL SPECIFICATION

PLASMA SIZE:	Suitable for 37" to 50"
GROSS DIMENSION:	770 × 270 × 270 (mm)
GROSS WEIGHT:	21.5 kg (47.3 lbs)
LENGTH OF HOOK:	559 mm (22")
TILT ANGLE:	+20 degree / -5 degree
LOAD CAPACITY:	100 kg (220 lbs)
COLOR OPTION:	Black

\* Specifications are subject to change without notice.

**ABTUS**

## AV420W-V2

### PLASMA/LCD DISPLAY CEILING MOUNT

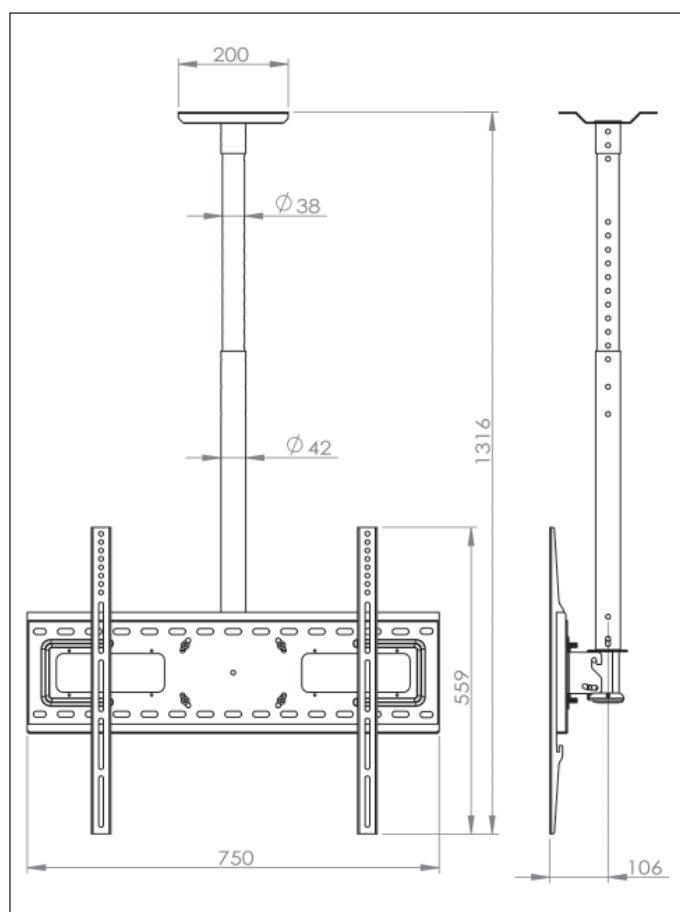


#### DESCRIPTION

Extremely flexible design allows you to fit almost any popular Plasma/LCD in the industry.

#### FEATURES

- Fast and easy installation
- Includes mounting hardware kit
- Includes rotating attachment for 360 degrees rotation
- Locking bars for added security



#### TECHNICAL SPECIFICATION

PLASMA SIZE:	Suitable for 37" to 50"
GROSS DIMENSION:	770 × 235 × 83 (mm)
GROSS WEIGHT:	6.5kg (14.31 lbs)
LOAD CAPACITY:	45.5kg (100 lbs)
COLOR OPTION:	Black

\* Specifications are subject to change without notice.

# AV420W2-V2

## PLASMA/LCD DISPLAY CEILING MOUNT

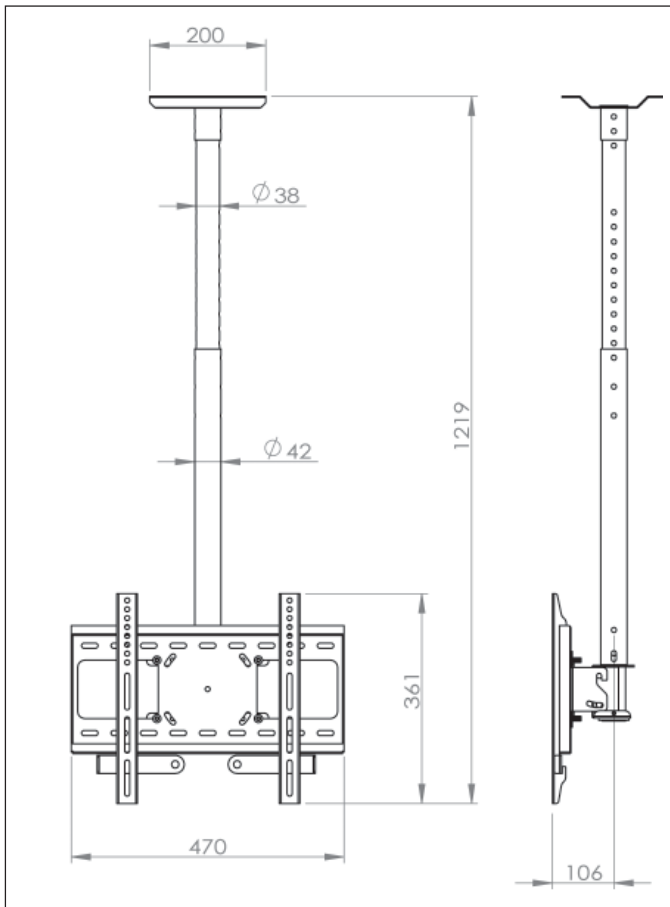


### DESCRIPTION

Extremely flexible design allows you to fit almost any popular Plasma/LCD in the industry.

### FEATURES

- Fast and easy installation
- Includes mounting hardware kit
- Includes rotating attachment for 360 degrees rotation
- Locking bars for added security



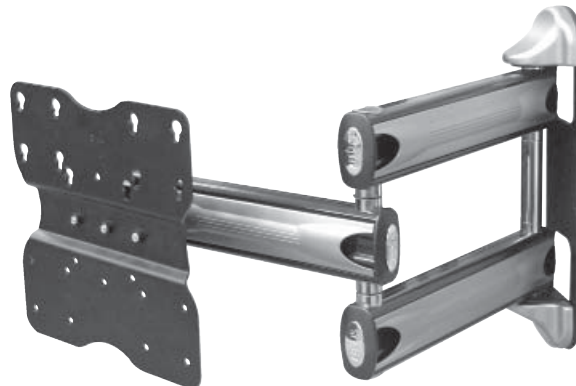
### TECHNICAL SPECIFICATION

PLASMA SIZE:	Suitable for 23" to 37"
GROSS DIMENSION:	570 × 235 × 83 (mm)
GROSS WEIGHT:	5.5 kg (12.1 lbs)
LOAD CAPACITY:	36.4 kg (80 lbs)
COLOR OPTION:	Black

\* Specifications are subject to change without notice.

**ABTUS**

## AV508-WP1 PLASMA/LCD DISPLAY CANTILEVER MOUNT

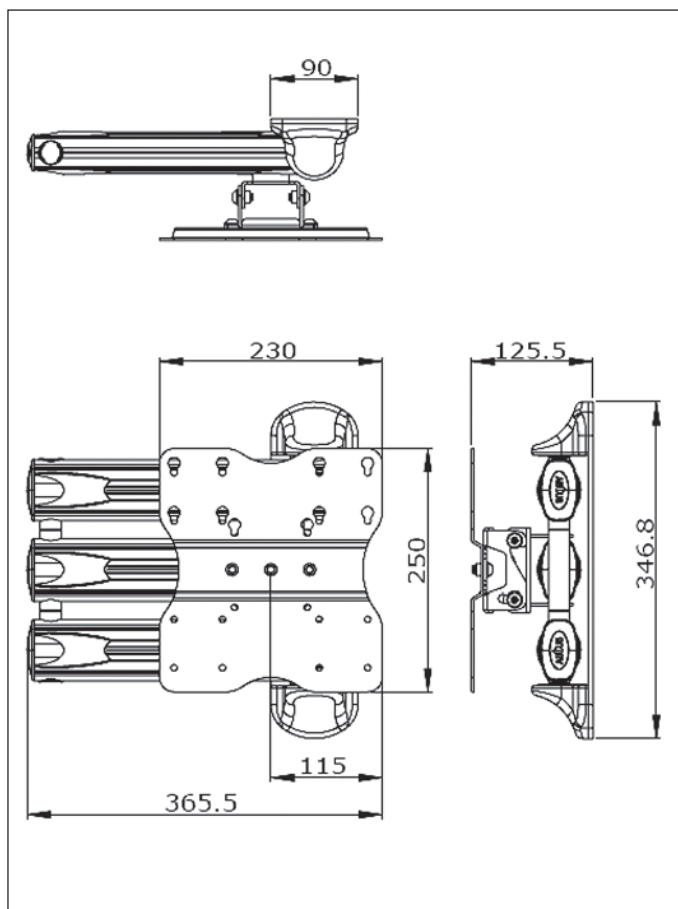


### DESCRIPTION

Designed for all discerning owners of their prized flat plasmas and LCDs, ABtUS AV508-WP1 Plasma/LCD Cantilever Mount support any 23" – 37" flat panels. Its ultra sleek design provides the ultimate wall mounting solution that is very safe and discreet, keeping the panel 125.5mm away from the wall.

### FEATURES

- Fast and easy installation
- Included with mounting kit (hardware)
- Integrated cable management
- Double arm provide full extension & 180 degrees viewing angle
- VESA compliant 75 × 75, 100 × 100, 100 × 200, 200 × 200



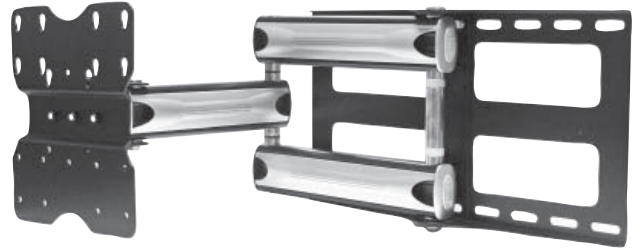
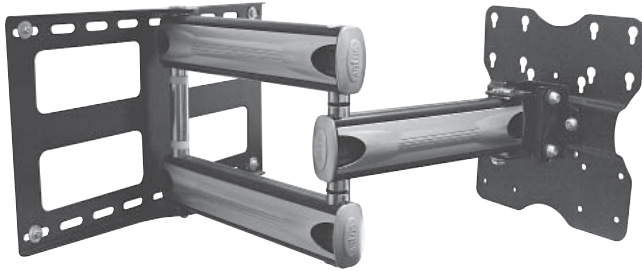
### TECHNICAL SPECIFICATION

PLASMA SIZE:	Suitable for 23" to 37"
GROSS DIMENSION:	375 × 370 × 125 (mm)
GROSS WEIGHT:	6.6 kg (14.5 lbs)
ARM SWIVEL:	180 degrees
TILT ANGLE:	-5/+15 degrees
DISTANCE FROM WALL:	125.5 mm (49.4)
LOAD CAPACITY:	36.4 kg (80 lbs)
COLOR OPTION:	Black

\* Specifications are subject to change without notice.

# AV508-WP5

## PLASMA/LCD DISPLAY CANTILEVER MOUNT

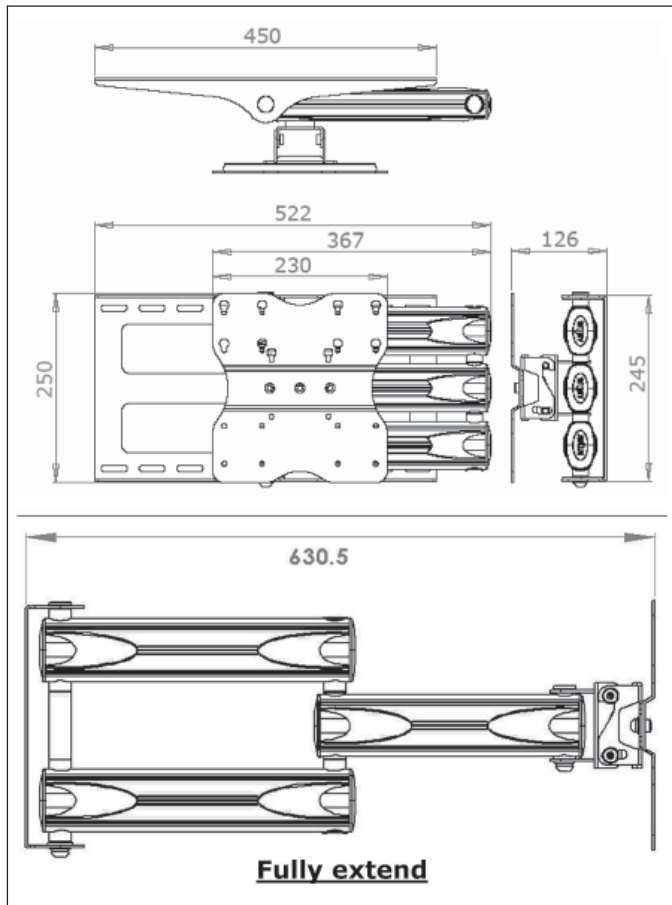


### DESCRIPTION

Designed for all discerning owners of their prized flat plasmas and LCDs, ABtUS AV508-WP5 Universal Plasma/LCD Cantilever Mount support any 23" – 37" flat panels. Its ultra sleek design provides the ultimate wall mounting solution that is very safe and discreet, keeping the panel 126mm away from the wall.

### FEATURES

- Fast and easy installation
- Included with mounting kit (hardware)
- Integrated cable management
- Double arm provide full extension & 180 degrees viewing angle
- VESA compliant 75 × 75, 100 × 100, 100 × 200, 200 × 200



### TECHNICAL SPECIFICATION

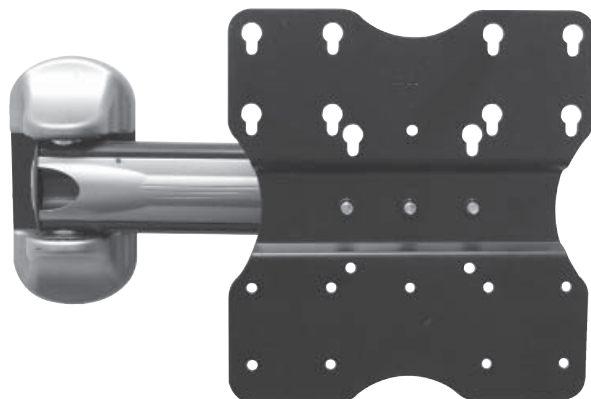
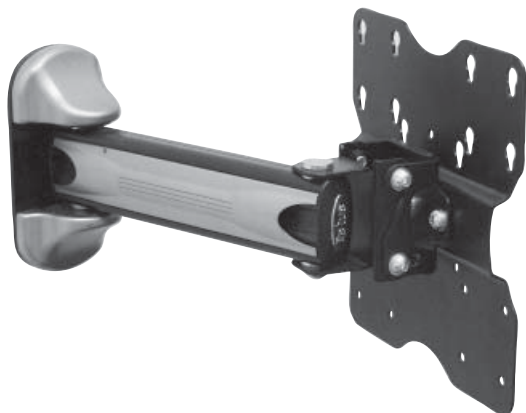
PLASMA SIZE:	Suitable for 23" to 37"
GROSS DIMENSION:	570 × 340 × 125 (mm)
GROSS WEIGHT:	7.5 kg (16.5 lbs)
ARM SWIVEL:	180 degrees
TILT ANGLE:	-5/+15 degrees
DISTANCE FROM WALL:	126 mm (49.6")
LOAD CAPACITY:	45.5 kg (100 lbs)
COLOR OPTION:	Black

\* Specifications are subject to change without notice.

**ABtUS**

# AV508-S

## PLASMA/LCD DISPLAY SINGLE ARM CANTILEVER MOUNT

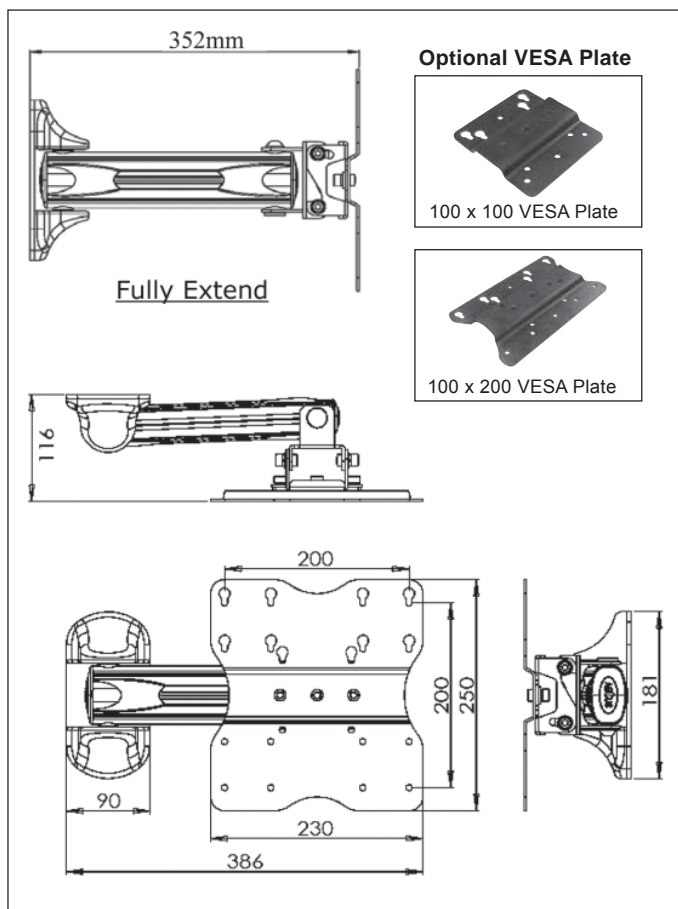


### DESCRIPTION

This single arm cantilever mount is designed for narrow or congested space such as corner or small room. Its arm allow all angle swing for total flexibility for the display mounting.

### FEATURES

- Fast and easy installation
- Single arm provide 180 degrees viewing angle
- Included with mounting kit (hardware)
- Integrated cable management
- Locking bars for security
- VESA compliant: VESA 75 × 75, 100 × 100, 100 × 200, 200 × 200



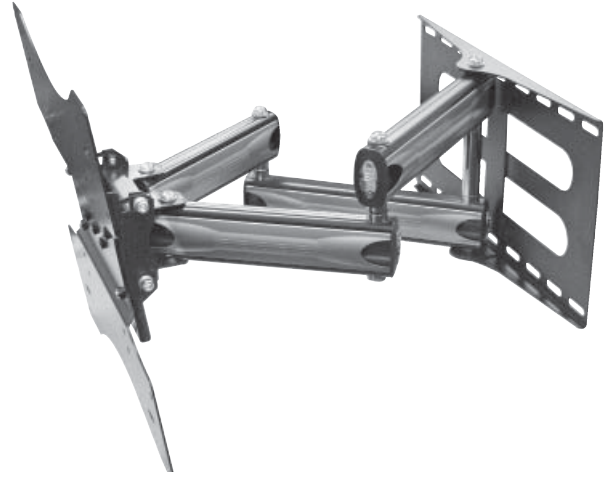
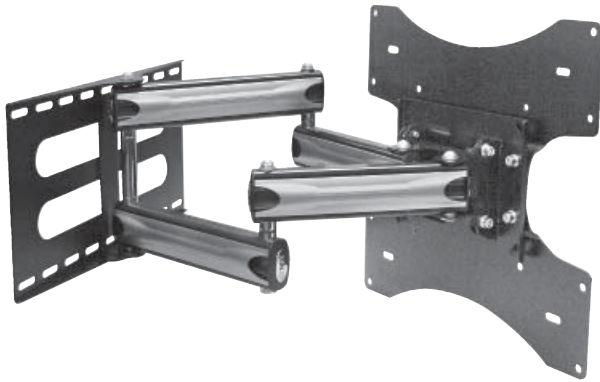
### TECHNICAL SPECIFICATION

PLASMA SIZE:	Suitable for 23" to 37"
GROSS DIMENSION:	386 mm × 250 mm × 116 mm   15.2" × 9.8" × 4.5"
GROSS WEIGHT:	4 kg (8.8 lbs)
ARM SWIVEL:	180 degrees
TILT ANGLE:	-5/+15 degrees
DISTANCE FROM WALL:	116 mm (4.5")
LOAD CAPACITY:	36 kg (80 lbs)
COLOR OPTION:	Black

\* Specifications are subject to change without notice.

# AV508-DV

## PLASMA/LCD DISPLAY DOUBLE ARM CANTILEVER MOUNT

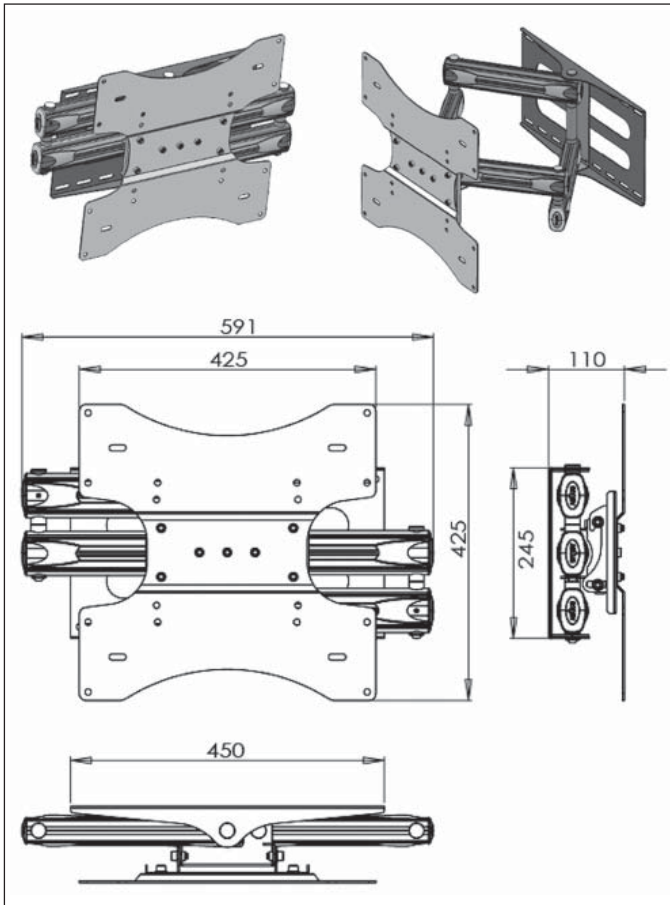


### DESCRIPTION

This double arm cantilever mount is designed with 4 arms for more stable and smoother movement. It comes with a front plate with varies VESA mounting standard.

### FEATURES

- Fast and easy installation
- Integrated cable management
- Included with mounting kit (hardware)
- Aluminium arms with steel plate construction
- VESA compliant: VESA 400 × 400, 400 × 200, 300 × 300, 300 × 320, 200 × 200



### TECHNICAL SPECIFICATION

PLASMA SIZE:	Suitable for 37" to 50"
GROSS DIMENSION:	591mm × 425mm × 110mm   23.2" × 9.8" × 4.3"
GROSS WEIGHT:	4 kg (8.8 lbs)
ARM SWIVEL:	+/-20 degrees
TILT ANGLE:	+8/-6 degrees
DISTANCE FROM WALL:	110 mm (4.3")
LOAD CAPACITY:	50 kg (110 lbs)
COLOR OPTION:	Black

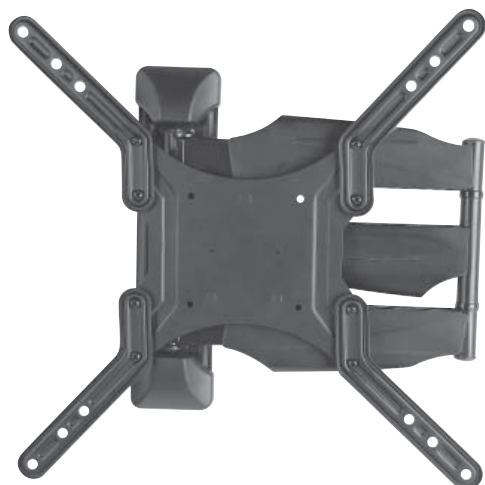
\* Specifications are subject to change without notice.

**ABTUS**



# AV510

## LCD/LED DISPLAY SINGLE ARM CANTILEVER MOUNT

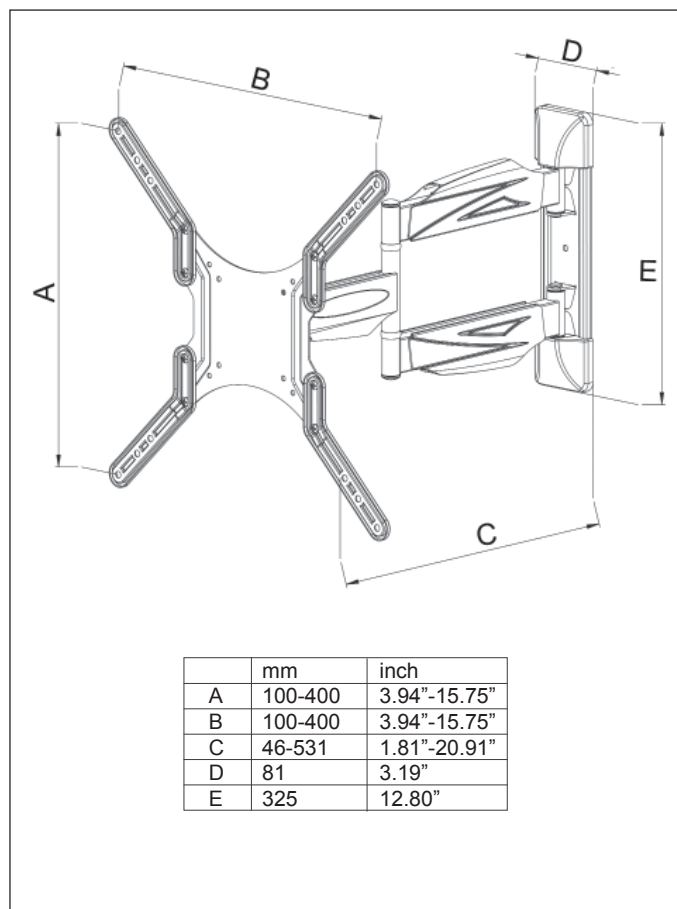


### DESCRIPTION

This single arm cantilever mount is designed for narrow or congested space such as corner or small room. Its arm allow all angle swing for total flexibility for the display mounting.

### FEATURES

- Fast and easy installation
- Single arm provide 180 degrees viewing angle
- Included with mounting kit (hardware)
- Integrated cable management
- VESA mounting holes 400 × 400 max



### TECHNICAL SPECIFICATION

PLASMA SIZE: Suitable for 23" to 55"

GROSS DIMENSION: 390 mm × 375 mm × 65 mm | 15.35" × 14.76" × 2.56"

GROSS WEIGHT: 3.9 kg (8.58 lbs)

ARM SWIVEL: 180 degrees

TILT ANGLE: -2/+12 degrees

DISTANCE FROM WALL: 46-531 mm (1.8"-20.9")

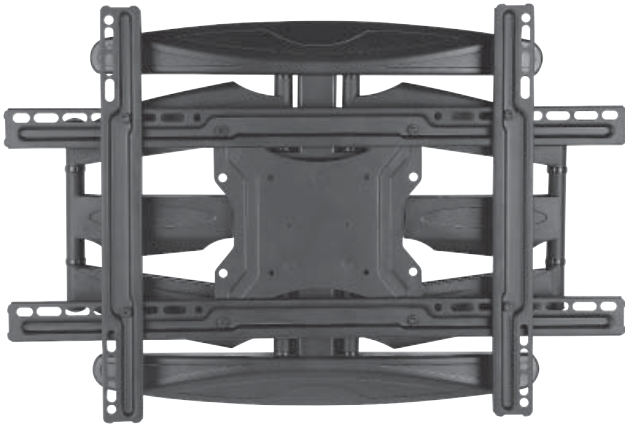
LOAD CAPACITY: 30 kg (66 lbs)

COLOR OPTION: Black

\* Specifications are subject to change without notice.

# AV511

## LCD/LED DISPLAY DOUBLE ARM CANTILEVER MOUNT

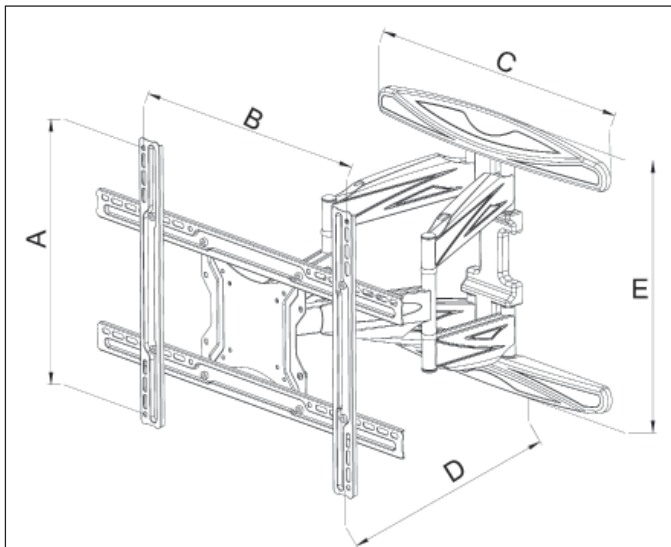


### DESCRIPTION

This double arm cantilever mount is designed with 4 arms for more stable and smoother movement. It comes with a front plate with varies VESA mounting standard.

### FEATURES

- Fast and easy installation
- Integrated cable management
- Included with mounting kit (hardware)
- Aluminium arms with steel plate construction
- VESA mounting holes 600 × 400 max



	mm	inch
A	100-400	3.94"-15.75"
B	100-600	3.94"-23.62"
C	480	18.90"
D	53-496	2.09"-19.53"
E	364	14.33"

### TECHNICAL SPECIFICATION

PLASMA SIZE: Suitable for 40" to 80"

GROSS DIMENSION: 695mm × 460mm × 65mm | 27.36" × 18.11" × 2.56"

GROSS WEIGHT: 8.3 kg (18.3 lbs)

ARM SWIVEL: 180 degrees

TILT ANGLE: -2/+12 degrees

DISTANCE FROM WALL: 53-496 mm (2.1"-19.5")

LOAD CAPACITY: 50 kg (110 lbs)

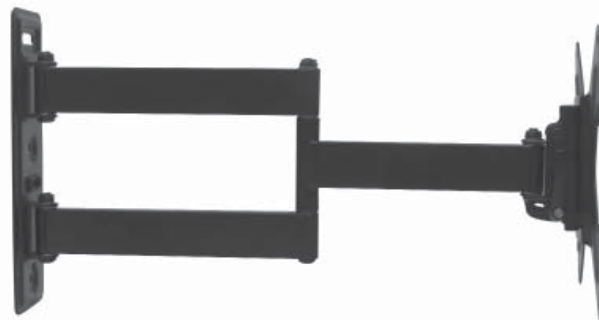
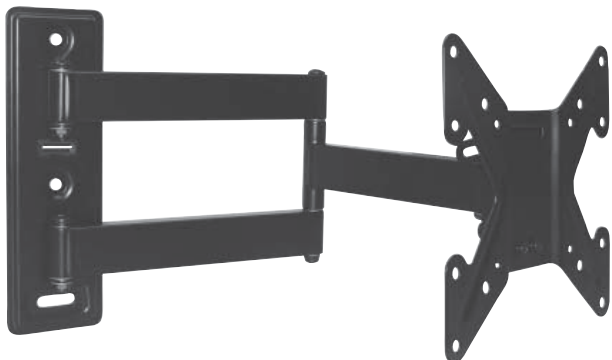
COLOR OPTION: Black

\* Specifications are subject to change without notice.

**ABTUS**

# AV540

## LCD/LED DISPLAY DOUBLE ARM WALL MOUNT

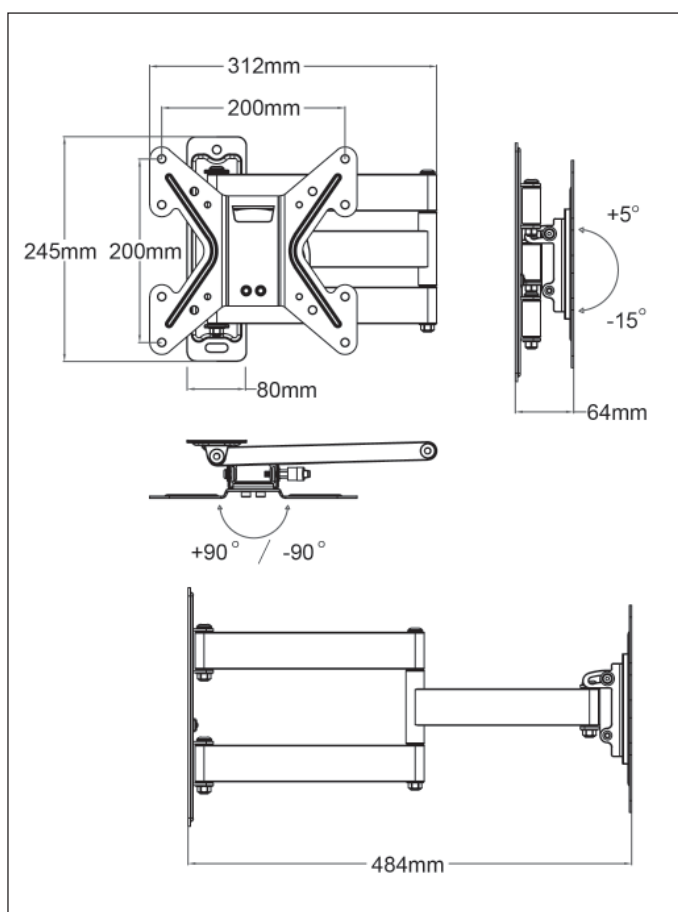


### DESCRIPTION

This Double wall Mount is a slim and durable mounting solution. Perfect for slim LED display. As it allows the LED to be attached closer to the wall. The double arms provide a smooth and flexible swing movement increasing its viewing angles.

### FEATURES

- Fits for 26" - 42" plasma and LCD
- Max. load Capacity : 30 KG (66 LBS)
- VESA compliant 200 × 200
- Tilt, Swivel, Rotate for maximum viewing flexibility
- Post-installation level adjustment allows the TV to perfectly level
- Cable management on arm
- Fast and easy installation



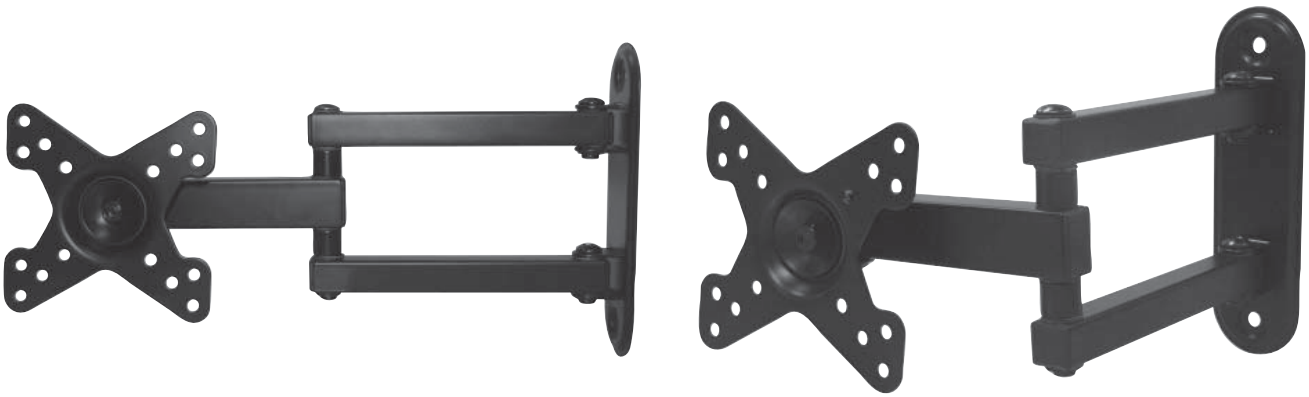
### TECHNICAL SPECIFICATION

PLASMA SIZE:	Suitable for 26" to 42"
GROSS DIMENSION:	340 × 270 × 76 (mm)
GROSS WEIGHT:	1.4 kg
TILT ANGLE:	+5/-15 degrees
SWIVEL ANGLE:	±90 degrees
LOAD CAPACITY:	30 kg (66 lbs)
COLOR OPTION:	Black

\* Specifications are subject to change without notice.

# AV541

## LCD/LED MONITOR DISPLAY DOUBLE ARM WALL MOUNT

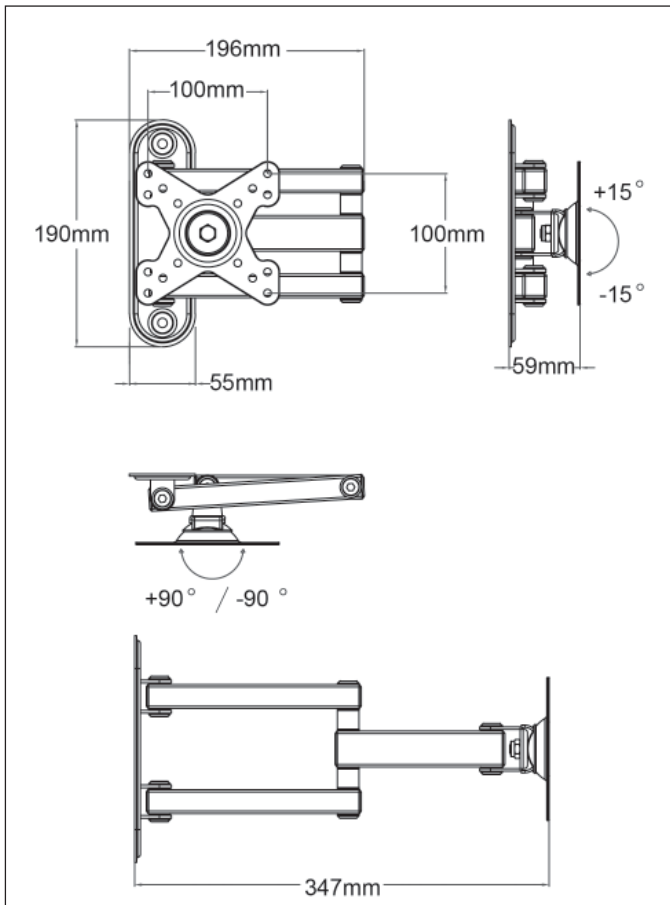


### DESCRIPTION

This Double wall Mount is a slim and durable mounting solution. Perfect for slim LED display. As it allows the LED to be attached closer to the wall. The double arms provide a smooth and flexible swing movement increasing its viewing angles.

### FEATURES

- Fits for 19"-32" plasma and LCD/LED TV
- Max. load Capacity : 15 KG (33 LBS)
- VESA compliant 100 × 100
- Tilt, Swivel, Rotate for maximum viewing flexibility
- Post-installation level adjustment allows the TV to perfectly level
- Cable management on arm
- Fast and easy installation



### TECHNICAL SPECIFICATION

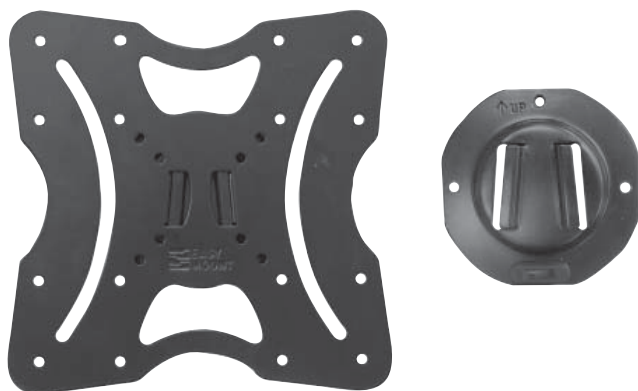
PLASMA SIZE:	Suitable for 19" to 23"
GROSS DIMENSION:	220 × 200 × 65 (mm)
GROSS WEIGHT:	1.3 kg
TILT ANGLE:	+15/-15 degrees
SWIVEL ANGLE:	±90 degrees
LOAD CAPACITY:	15 kg (33 lbs)
COLOR OPTION:	Black

\* Specifications are subject to change without notice.

**ABTUS**

# AV544

## LCD/LED DISPLAY WALL MOUNT

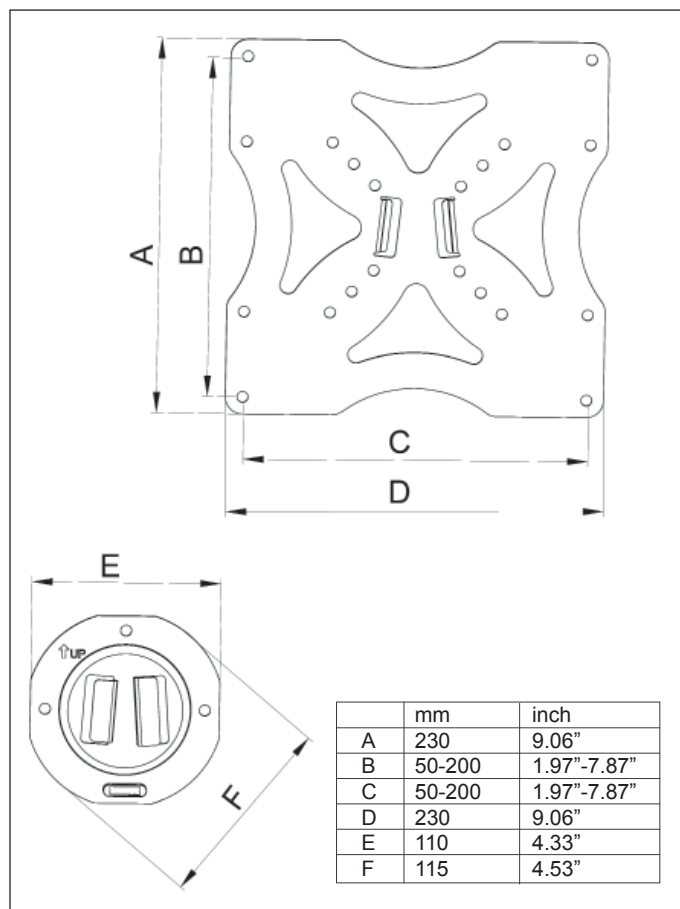


### DESCRIPTION

The ABTUS AV544 is a durable Fixed LCD/LED wall mount that can support 17" to 32" flat panels. It's sleek design allows the panel to be kept close to the wall for added security and aesthetic viewing. It is lightweight and easy to install, making it suitable to be installed in virtually any room.

### FEATURES

- Fits for 17" - 32" LCD and LED
- Max. load Capacity : 20 KG
- VESA mounting holes 50 - 200 max
- Fast and easy installation



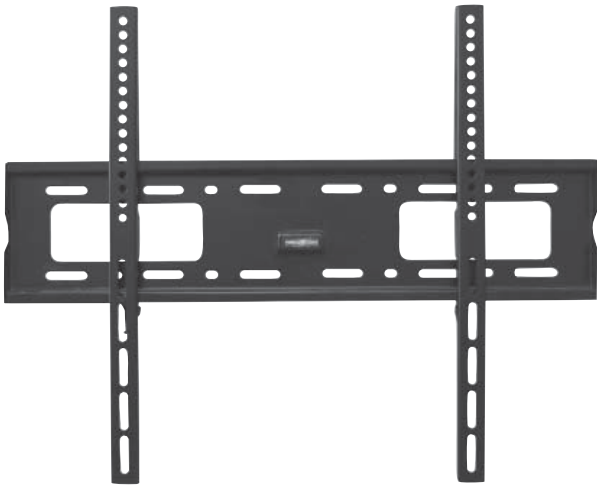
### TECHNICAL SPECIFICATION

LCD/LED SIZE:	Suitable for 17" to 32"
GROSS DIMENSION:	250 × 250 × 25 (mm)
GROSS WEIGHT:	950 g
VESA MOUNTING HOLES:	50 - 200 max
DISTANCE FROM WALL:	15 mm
LOAD CAPACITY:	20 kg
COLOR OPTION:	Black

\* Specifications are subject to change without notice.

## AV545-W

### LCD/LED DISPLAY WALL MOUNT

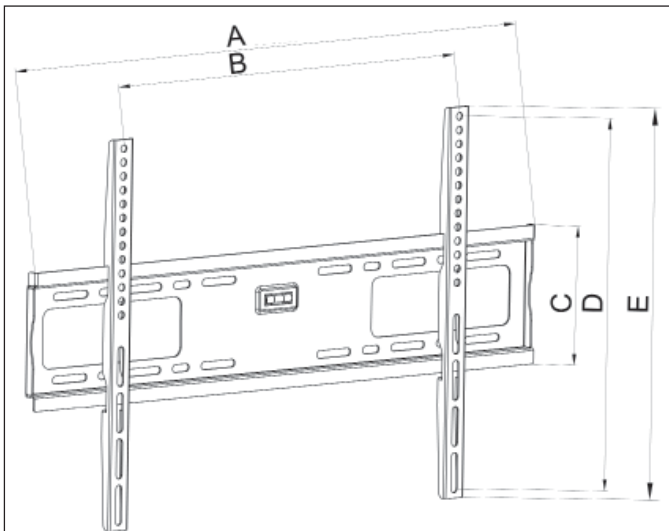


#### DESCRIPTION

The ABTUS AV545-W is a durable Fixed LCD/LED wall mount that can support 32" to 60" flat panels. It's sleek design allows the panel to be kept close to the wall for added security and aesthetic viewing. It is lightweight and easy to install, making it suitable to be installed in virtually any room.

#### FEATURES

- Fits for 32"-60" plasma and LCD/LED TV
- Max. load Capacity : 60 KG
- VESA mounting holes 600 × 400 max
- Fast and easy installation



	mm	inch
A	650	25.59"
B	50-600	1.97"-23.62"
C	150	5.91"
D	50-400	1.97"-23.62"
E	430	16.93"

#### TECHNICAL SPECIFICATION

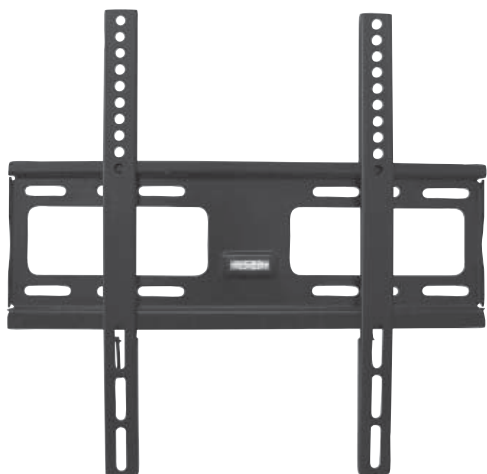
LCD/LED SIZE:	Suitable for 32" to 60"
GROSS DIMENSION:	675 × 165 × 36 (mm)
GROSS WEIGHT:	2.3 kg
VESA MOUNTING HOLES:	600 × 400 max
DISTANCE FROM WALL:	26 mm
LOAD CAPACITY:	60 kg
COLOR OPTION:	Black

\* Specifications are subject to change without notice.

**ABTUS**

## AV545-W2

### LCD/LED DISPLAY WALL MOUNT

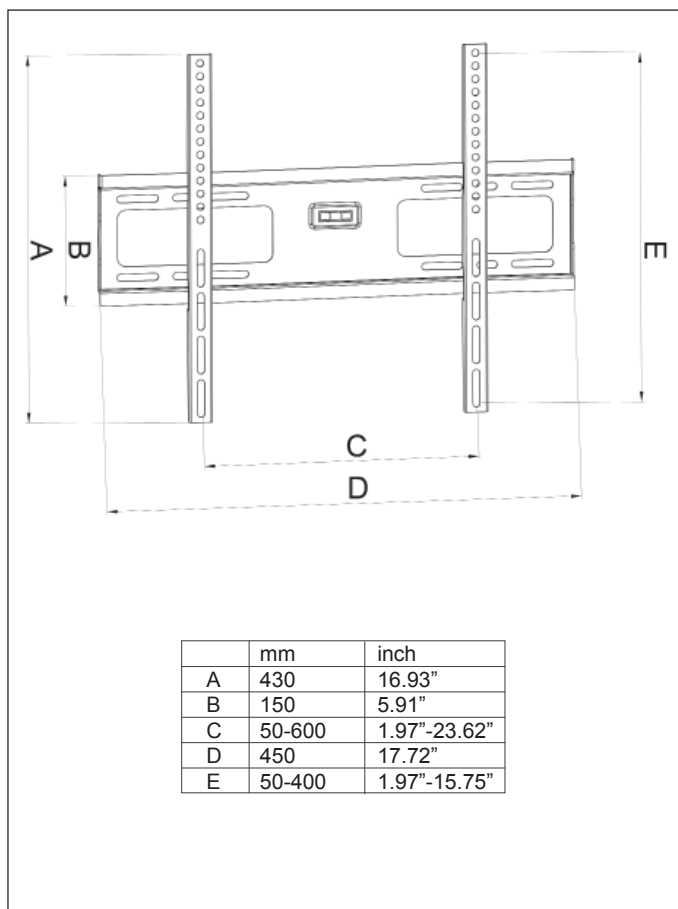


#### DESCRIPTION

The ABtUS AV545-W2 is a durable Fixed LCD/LED wall mount that can support 23" to 46" flat panels. It's sleek design allows the panel to be kept close to the wall for added security and aesthetic viewing. It is lightweight and easy to install, making it suitable to be installed in virtually any room.

#### FEATURES

- Fits for 23"- 46" LCD and LED
- Max. load Capacity : 40 KG
- VESA mounting holes 400 × 400 max
- Fast and easy installation



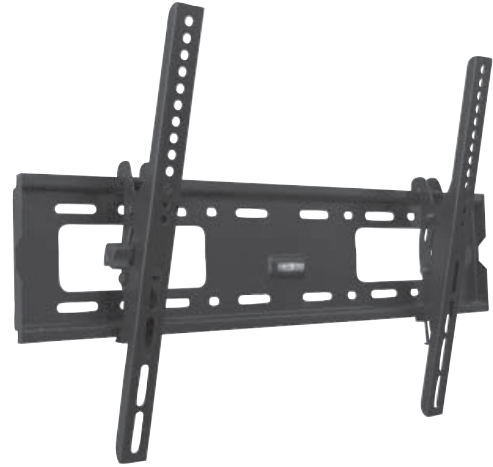
#### TECHNICAL SPECIFICATION

LCD/LED SIZE:	Suitable for 23" to 46"
GROSS DIMENSION:	460 × 160 × 33 (mm)
GROSS WEIGHT:	1.9 kg
VESA MOUNTING HOLES:	400 × 400 max
DISTANCE FROM WALL:	26 mm
LOAD CAPACITY:	40 kg
COLOR OPTION:	Black

\* Specifications are subject to change without notice.

# AV565-WT

## LCD/LED DISPLAY WALL MOUNT

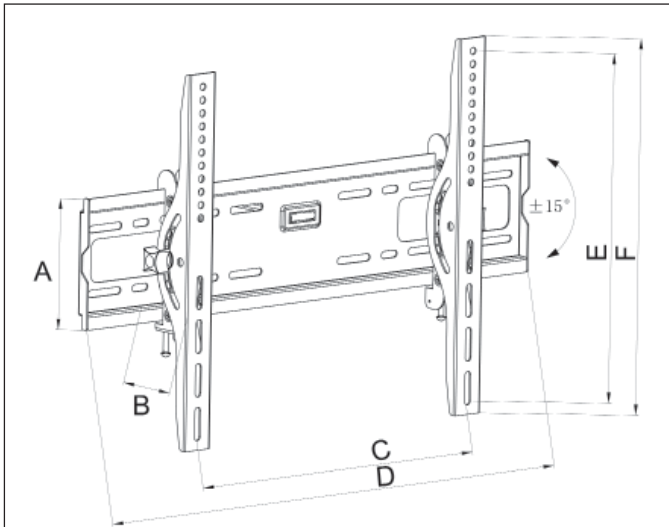


### DESCRIPTION

The ABTUS AV565-WT is a durable adjustable LCD/LED wall mount that can support 32" to 55" flat panels. It's sleek design allows the panel to be kept close to the wall for added security and aesthetic viewing. It is lightweight and easy to install, making it suitable to be installed in virtually any room.

### FEATURES

- Fits for 32"-55" plasma and LCD/LED TV
- Max. load Capacity : 60 KG
- VESA mounting holes 600 × 400 max
- Fast and easy installation



	mm	inch
A	150	5.91"
B	68	2.68"
C	50-600	1.97"-23.62"
D	650	25.59"
E	50-400	1.97"-15.75"
F	430	16.93"

### TECHNICAL SPECIFICATION

LCD/LED SIZE:	Suitable for 32" to 55"
GROSS DIMENSION:	670 × 165 × 48 (mm)
GROSS WEIGHT:	3.2 kg
TILT ANGLE:	-15° / +15° degrees
VESA MOUNTING HOLES:	600 × 400 max
DISTANCE FROM WALL:	68 mm
LOAD CAPACITY:	60 kg
COLOR OPTION:	Black

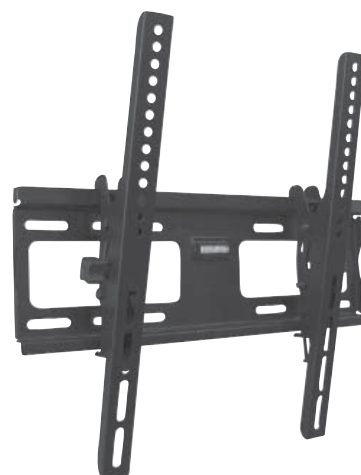
\* Specifications are subject to change without notice.

**ABTUS**



## AV565-WT2

### LCD/LED DISPLAY WALL MOUNT

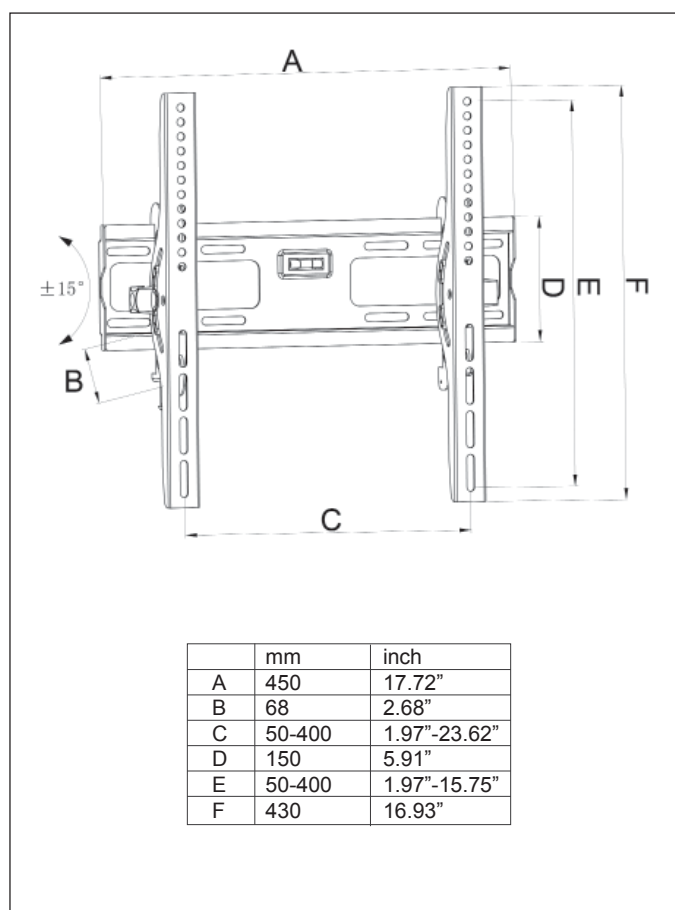


#### DESCRIPTION

The ABTUS AV565-WT2 is a durable adjustable LCD/LED wall mount that can support 23" to 42" flat panels. It's sleek design allows the panel to be kept close to the wall for added security and aesthetic viewing. It is lightweight and easy to install, making it suitable to be installed in virtually any room.

#### FEATURES

- Fits for 23"-42" plasma and LCD/LED TV
- Max. load Capacity : 45 KG
- VESA mounting holes 400 × 400 max
- Fast and easy installation



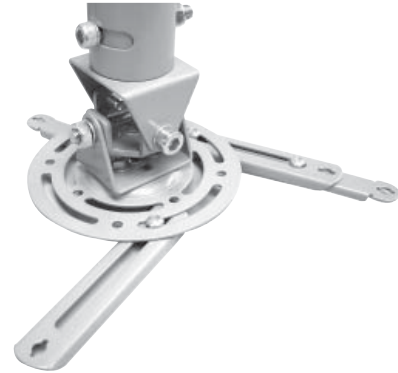
#### TECHNICAL SPECIFICATION

LCD/LED SIZE:	Suitable for 23" to 42"
GROSS DIMENSION:	470 × 165 × 55 (mm)
GROSS WEIGHT:	2.5 kg
TILT ANGLE:	-15° / +15° degrees
VESA MOUNTING HOLES:	400 × 400 max
DISTANCE FROM WALL:	68 mm
LOAD CAPACITY:	45 kg
COLOR OPTION:	Black

\* Specifications are subject to change without notice.

# AV815

## PROJECTOR CEILING MOUNT



### DESCRIPTION

The AV815 Ultimate Universal LCD projector mount is designed for top professional installers who want the most cost effective mounting solution for their projector installation. Designed to fit almost any popular projector under 15kgs (33lbs), the AV815 comes preassembled for quick and easy installation at any location. The new design allows cable management, providing a clean and uncluttered look.

This Robust construction allows the universal LCD Projector mount to be precisely positioned in almost any angle.

### FEATURES

- Fast and easy installation
- Ceiling-mount capability
- Adjustable Height
- Extremely flexible design allow to fit almost all popular projectors
- Quick release universal mount for Projector
- 60 degrees Rotate for Projector
- +/- 20 degrees Tilt and Roll for Projector
- Cable management
- Adaptable to different projectors

### TECHNICAL SPECIFICATION

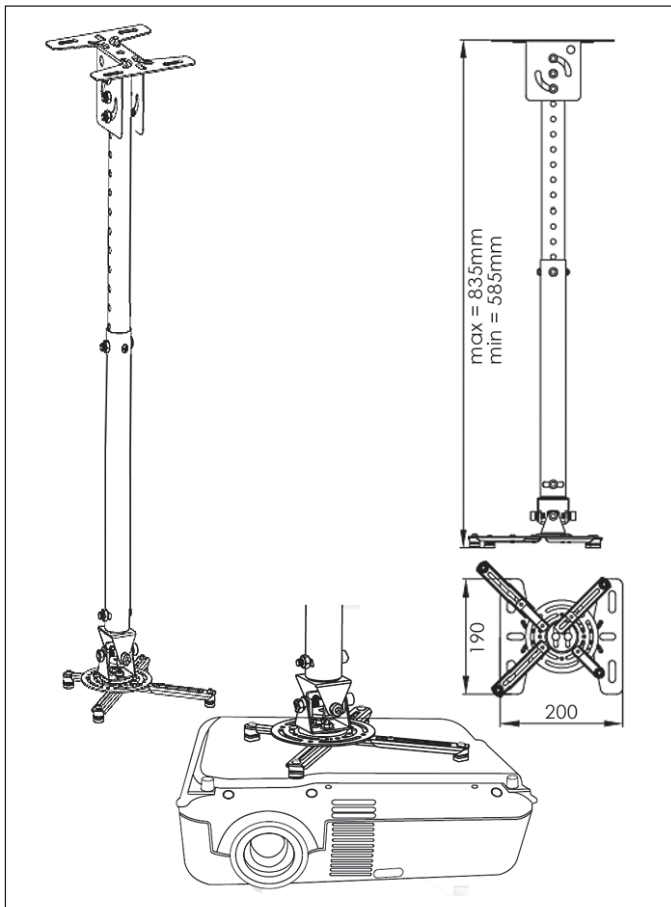
GROSS WEIGHT: 2.7 kg (6 lbs)

GROSS DIMENSION: 420 × 200 × 120 mm |  
16.5" × 8" × 5"

LEXTENDABLE LENGTH  
WITH OPTIONAL ROD: 900 mm Ø 38mm & Ø 42mm

LOAD CAPACITY: 15 kg (33 lbs)

COLOR OPTION: Black or Silver



\* Specifications are subject to change without notice.

**ABTUS**

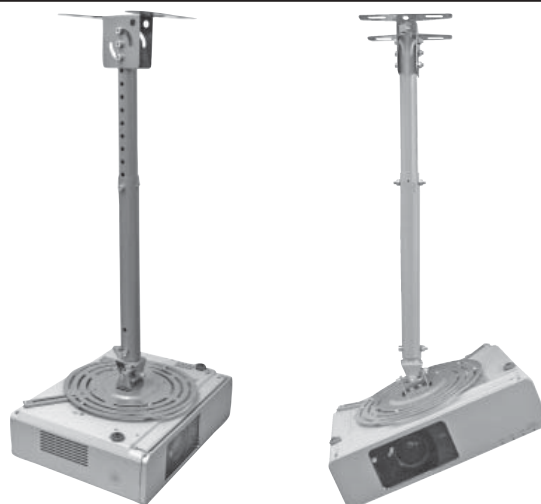
# AV815M

## PROJECTOR MOUNTING PLATE



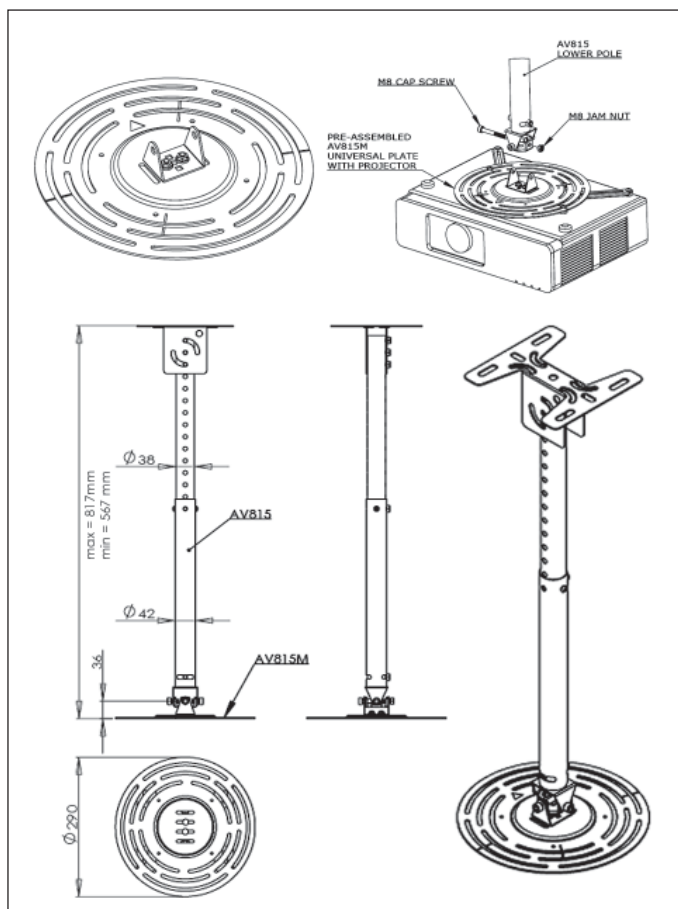
### DESCRIPTION

This features 2 different length of extension arms that allows flexible positioning to **PANASONIC PT-F100, PT-F200, PT-F300** projector mounting point. With these extensions, arms position around lamp and filter have easy access/maintenance to maximize lamp life. With spacers provided, the mount is able to adapt to projector base, no matter how oddly shaped, to maintain a level installation.



### FEATURES

- Fast and easy installation
- Designed for medium size projector
- To be used with AV815 Projector Ceiling Mount
- Quick release universal mount for Projector
- 60 degrees Rotate for Projector
- +/- 20 degrees Tilt and Roll for Projector
- Cable management



### TECHNICAL SPECIFICATION

SUITABLE PROJECTOR:	PANASONIC PT-F100, PT-F200, PT-F300
GROSS DIMENSION:	303 × 303 × 60 (mm)
GROSS WEIGHT:	1.2 kg (2.6 lbs)
HEIGHT ADJUSTMENT:	Max: 817mm or Min: 567mm
LOAD CAPACITY:	20 kg (44 lbs)
COLOR OPTION:	Silver

\* Specifications are subject to change without notice.

# AV113

## PROJECTOR CEILING MOUNT HEAVY DUTY

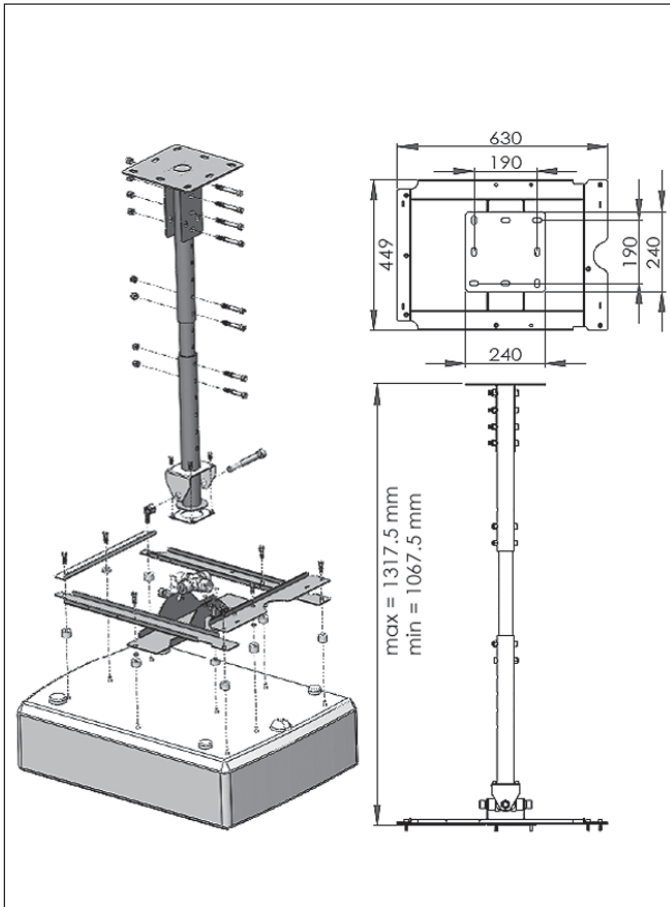


### DESCRIPTION

AV113 is a heavy duty projector ceiling mount with long and bigger connection rod specially designed for large projectors including **EIKI Model:** (LC-XT3 / LC-XT4 / LC-XT5); **SANYO Model:** (PLC-XF45, PLC-XF46N, PLC-XF47); **CHRISTIE Model:** (Road Runner LX100, LX120, LX1500), suitable to install in-house for large meeting room and hall etc.

### FEATURES

- Fast and easy installation
- For large Projectors:  
(**EIKI** LC-XT3, LC-XT4, LC-XT5);  
(**SANYO** PLC-XF45, PLC-XF46N, PLC-XF47)  
(**CHRISTIE** Road Runner LX100, LX120, LX1500)
- 360 degrees Rotate for Projector
- +/- 20 degrees Tilt and Roll for Projector



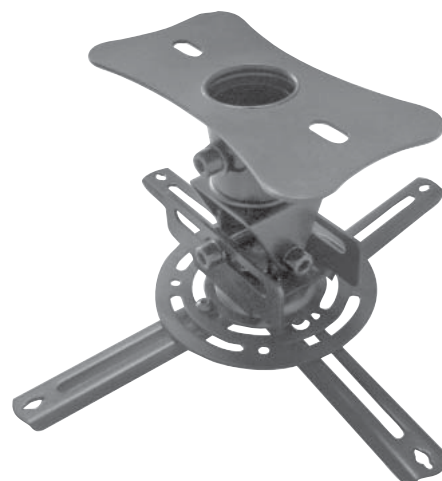
### TECHNICAL SPECIFICATION

GROSS WEIGHT:	12.2 kg (26.9 lbs)
GROSS DIMENSION:	Package 1 (646 × 175 × 110mm) Package 2 (645 × 265 × 235mm)
EXTENDABLE LENGTH:	900 (Optional)
LOAD CAPACITY:	30 kg (66.1 lbs)
COLOR OPTION:	Black

\* Specifications are subject to change without notice.

# AV819

## PROJECTOR FLUSH MOUNT



### DESCRIPTION

AV819 is a low cost but durable ceiling mount that widely used in offices and homes for mounting projector. Its low profile give the installation a flush and neat look.

### FEATURES

- Fast and easy installation
- Flush and neat looking
- Low cost and durable
- Quick release for dismounting projector
- Rotating +/- 30 degrees
- Tilt and Roll +/- 20 degrees
- Shift 70mm
- Concealed cables
- Adaptable to wide range of projectors

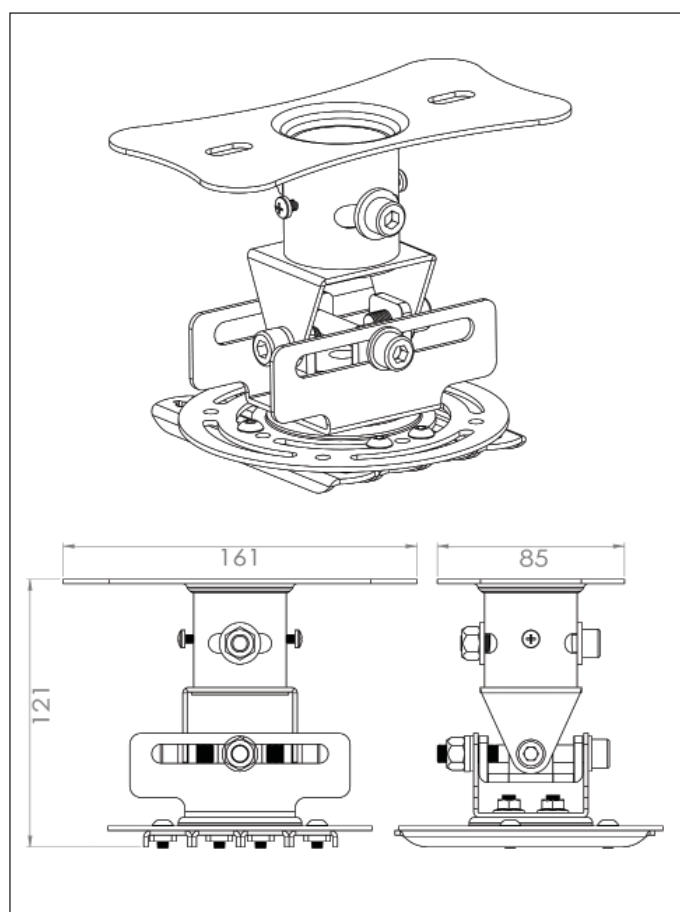
### TECHNICAL SPECIFICATION

GROSS WEIGHT: 1.4 kg (3.1 lbs)

GROSS DIMENSION: 168 × 138 × 126 mm | 6.6" × 5.4" × 5"

LOAD CAPACITY: 12 kg (26.4 lbs)

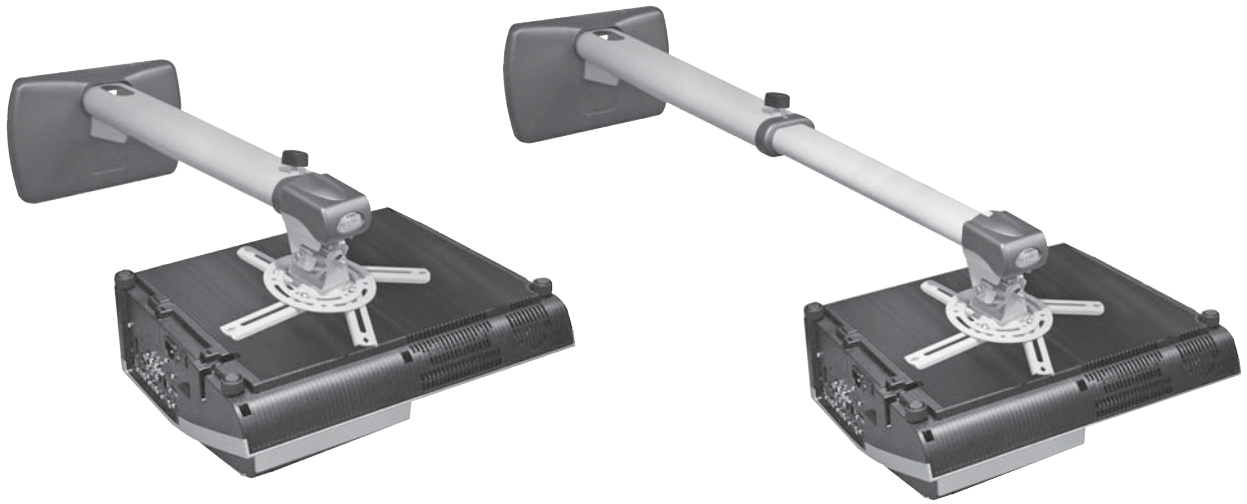
COLOR OPTION: Black or White



\* Specifications are subject to change without notice.

# AV891-610-V1

## SHORT THROW PROJECTOR WALL MOUNT



### DESCRIPTION

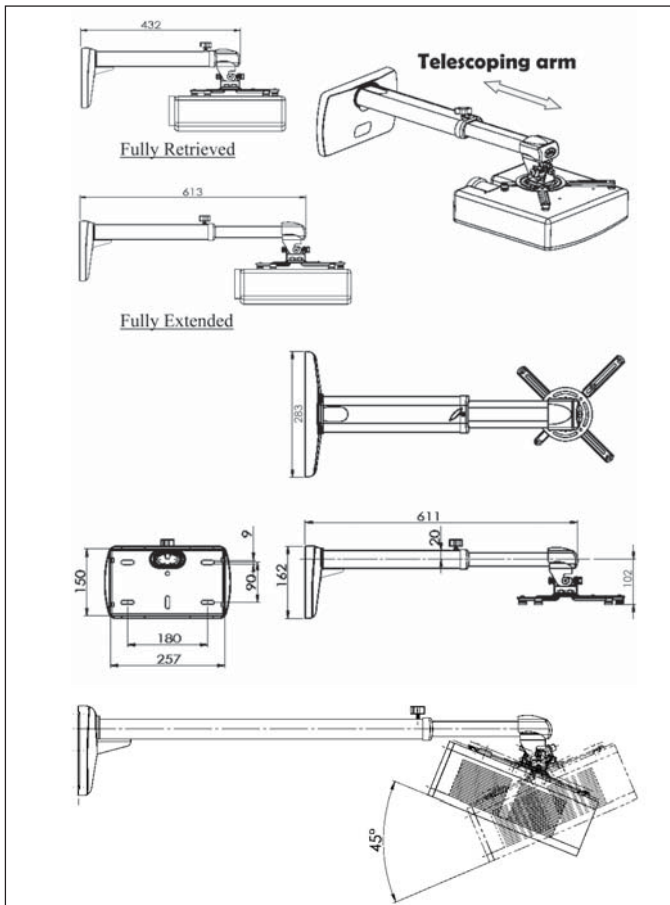
AV891-610-V1 is a stylish wall arm for mounting of short-throw projector on wall. It includes a universal head mount for fixing most popular brands of projector. It is able to adjust the projection distance by sliding along the arm and lock the position with a hand knob.

### FEATURES

- Fast and easy installation
- For Short-throw Projector
- Quick release universal mount for Projector
- +/- 22.5 degrees Tilt and Roll for Projector
- Telescoping arm provide adjustment from Min.432mm to Max.613mm from wall
- Cable management
- Steel construction
- Included with mounting kit (hardware)

### TECHNICAL SPECIFICATION

GROSS WEIGHT:	5.2 kg
GROSS DIMENSION:	(455 × 310 × 205)mm
DISTANCE FROM PROJECTOR WALL:	Min. 432mm   Max.613mm
LOAD CAPACITY:	10 kg (22 lbs)
COLOR OPTION:	White Grey

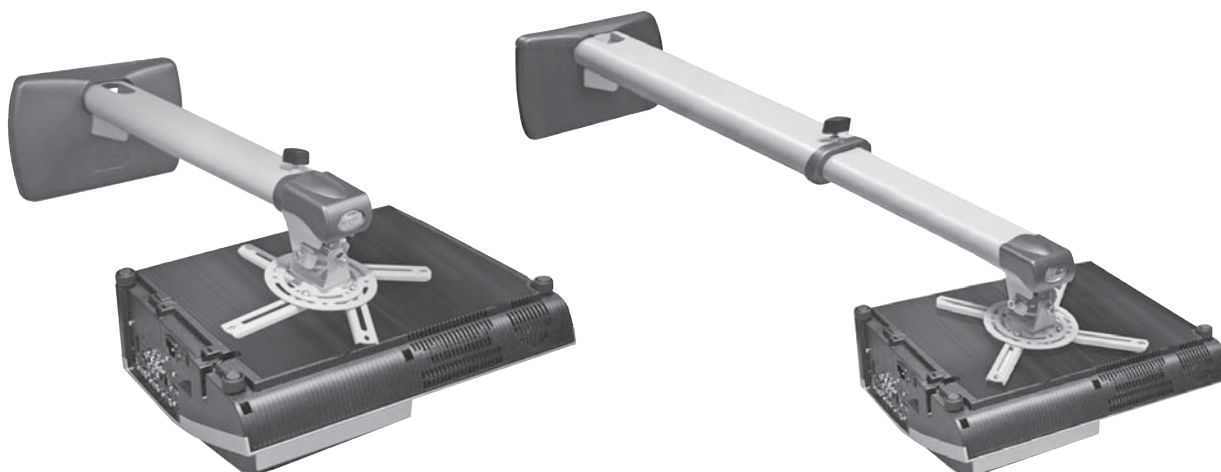


\* Specifications are subject to change without notice.

**ABTUS**

## AV891-1300

### SHORT THROW PROJECTOR WALL MOUNT

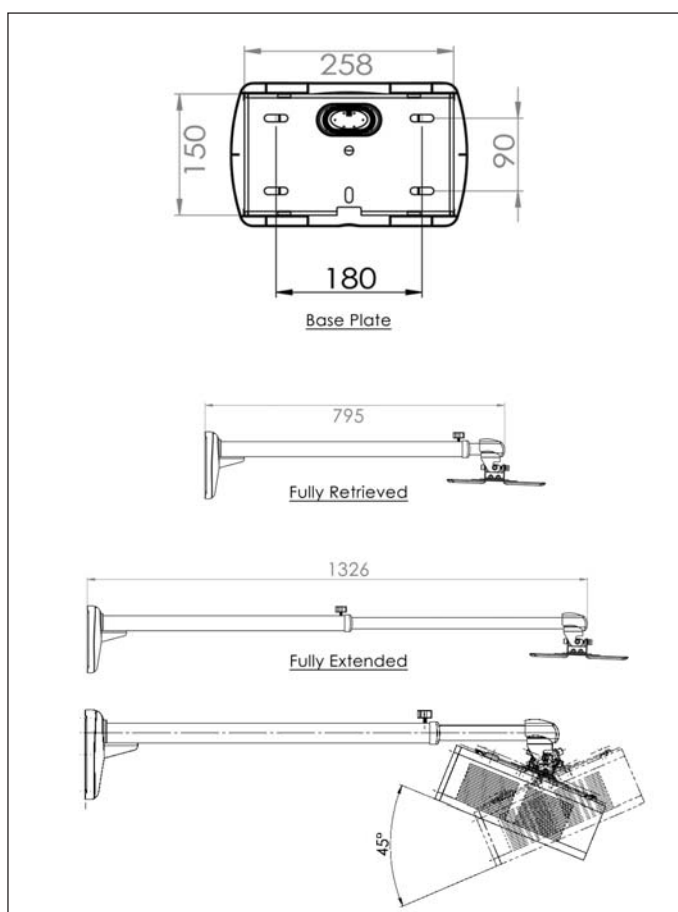


#### DESCRIPTION

AV891-1300 is a stylish wall arm with 1.3 meter long for mounting of short-throw projector on wall. It includes a universal head mount for fix most popular brands of projector. It is able to adjust the projection distance by sliding along the arm and lock the position with a hand knob.

#### FEATURES

- Fast and easy installation
- For Short-throw Projector
- Quick release universal mount for Projector
- +/- 22.5 degrees Tilt and Roll for Projector
- Telescoping arm provide adjustment from Min.795mm to Max.1326mm from wall
- Cable management
- Steel construction
- Included with mounting kit (hardware)



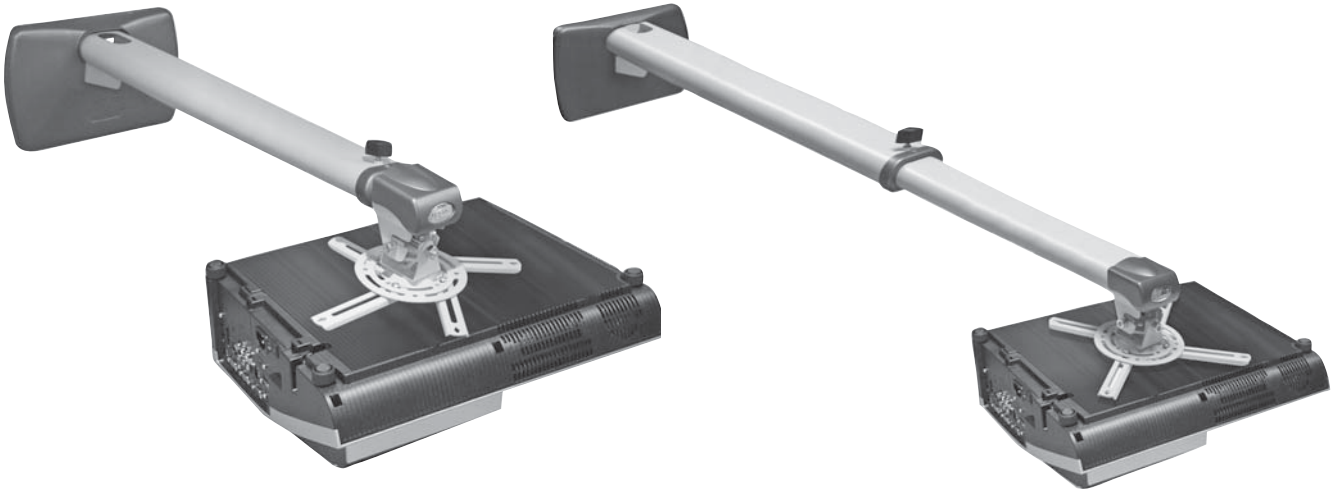
#### TECHNICAL SPECIFICATION

GROSS WEIGHT:	6.8 kg
GROSS DIMENSION:	(805 × 310 × 205)mm
DISTANCE FROM PROJECTOR WALL:	Min. 795mm   Max.1326mm
LOAD CAPACITY:	10 kg (22 lbs)
COLOR OPTION:	White grey

\* Specifications are subject to change without notice.

# AV891-1500-V1

## SHORT THROW PROJECTOR WALL MOUNT



### DESCRIPTION

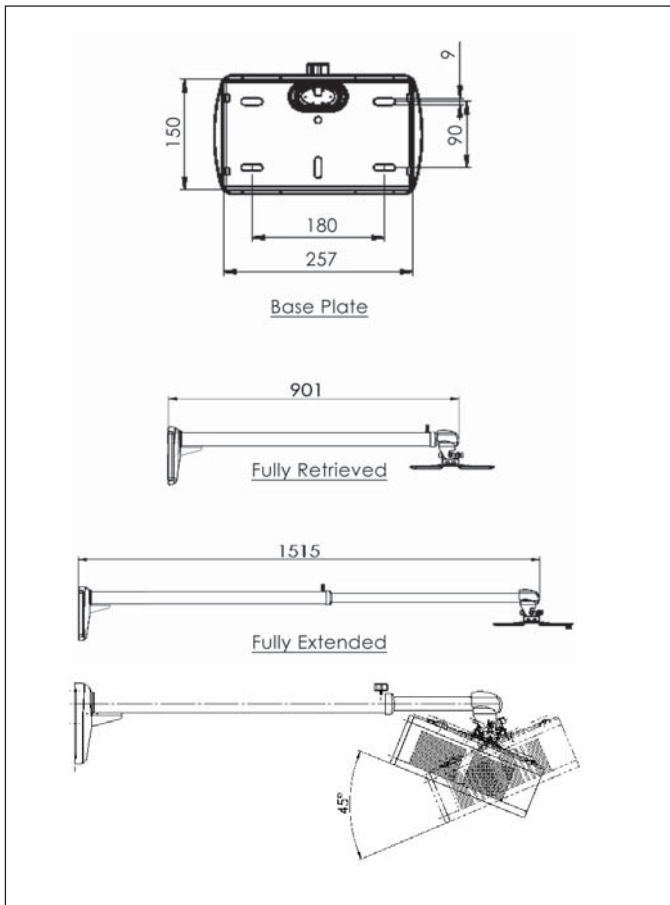
AV891-1500-V1 is a stylish wall arm with 1.5 meter long for mounting of short-throw projector on wall. It includes a universal head mount for fix most popular brands of projector. It is able to adjust the projection distance by sliding along the arm and lock the position with a hand knob.

### FEATURES

- Fast and easy installation
- For Short-throw Projector
- Quick release universal mount for Projector
- +/- 22.5 degrees Tilt and Roll for Projector
- Telescoping arm provide adjustment from Min.901mm to Max.1515mm from wall
- Cable management
- Steel construction
- Included with mounting kit (hardware)

### TECHNICAL SPECIFICATION

GROSS WEIGHT:	7.5 kg
GROSS DIMENSION:	(920 × 310 × 205)mm
DISTANCE FROM PROJECTOR WALL:	Min. 901mm   Max.1515mm
LOAD CAPACITY:	10 kg (22 lbs)
COLOR OPTION:	White grey



\* Specifications are subject to change without notice.

**ABTUS**



# AV891WS-610-V1

## SHORT THROW PROJECTOR WALL MOUNT

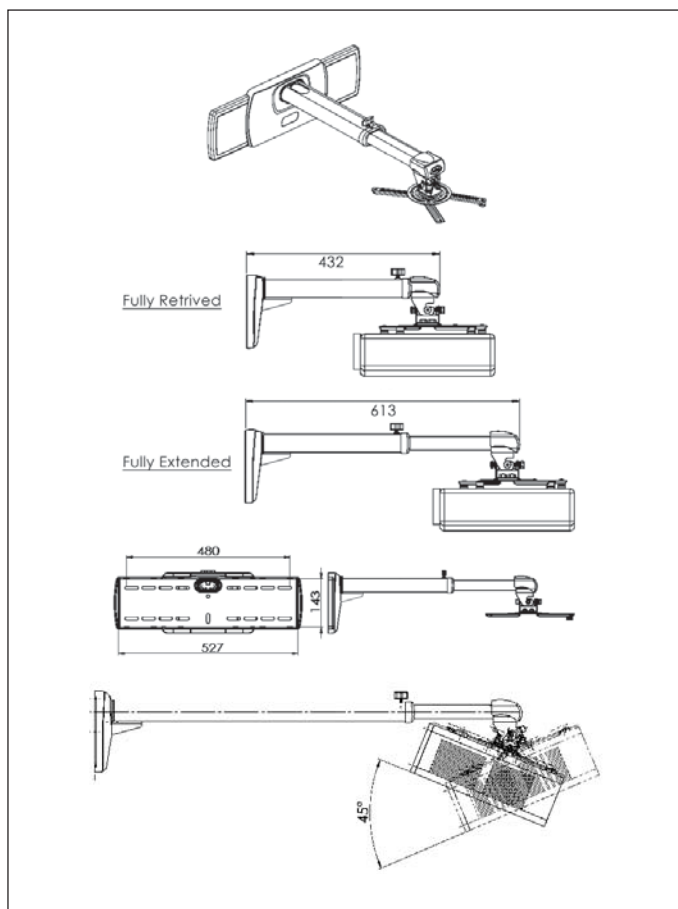


### DESCRIPTION

AV891WS-610-V1 is a stylish wall arm for mounting of short-throw projector on wall. It includes a universal head mount for fixing most popular brands of projector. It is able to adjust the projection distance by sliding along the arm and lock the position with a hand knob.

### FEATURES

- Fast and easy installation
- For Short-throw Projector
- Quick release universal mount for Projector
- +/- 22.5 degrees Tilt and Roll for Projector
- Telescoping arm provide adjustment from Min.432mm to Max.613mm from wall
- Cable management
- Steel construction
- Included with mounting kit (hardware)



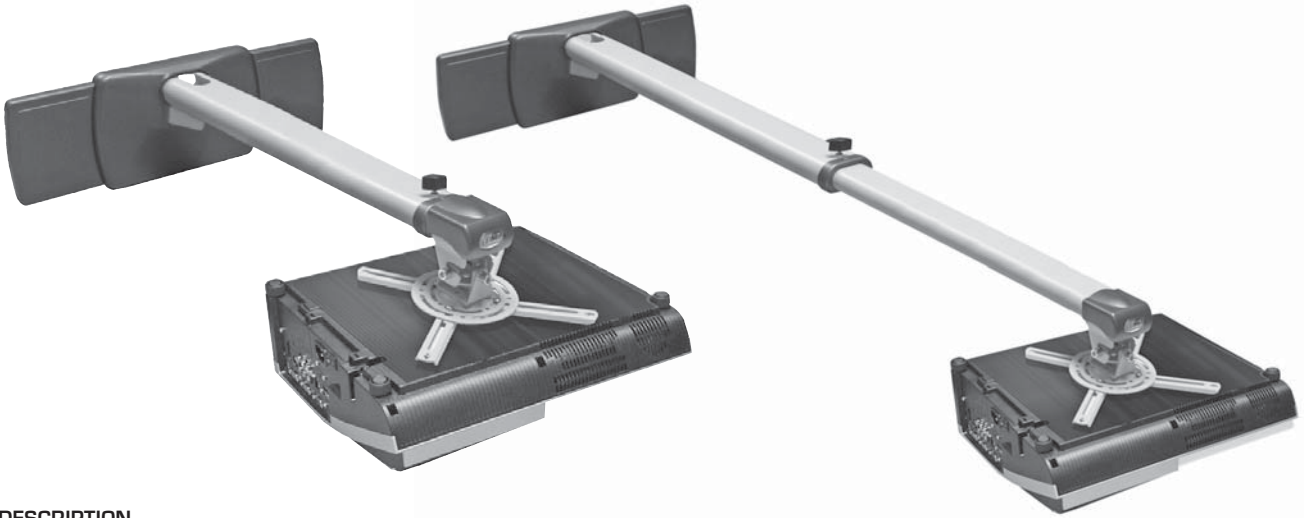
### TECHNICAL SPECIFICATION

GROSS WEIGHT:	6 kg (13.2 lbs)
GROSS DIMENSION:	(570 × 460 × 205)mm
DISTANCE FROM PROJECTOR WALL:	Min. 432mm   Max.613mm
WALL STUD DISTANCE:	18"
LOAD CAPACITY:	10 kg (22 lbs)
COLOR OPTION:	White grey

\* Specifications are subject to change without notice.

# AV891WS-1500-V1

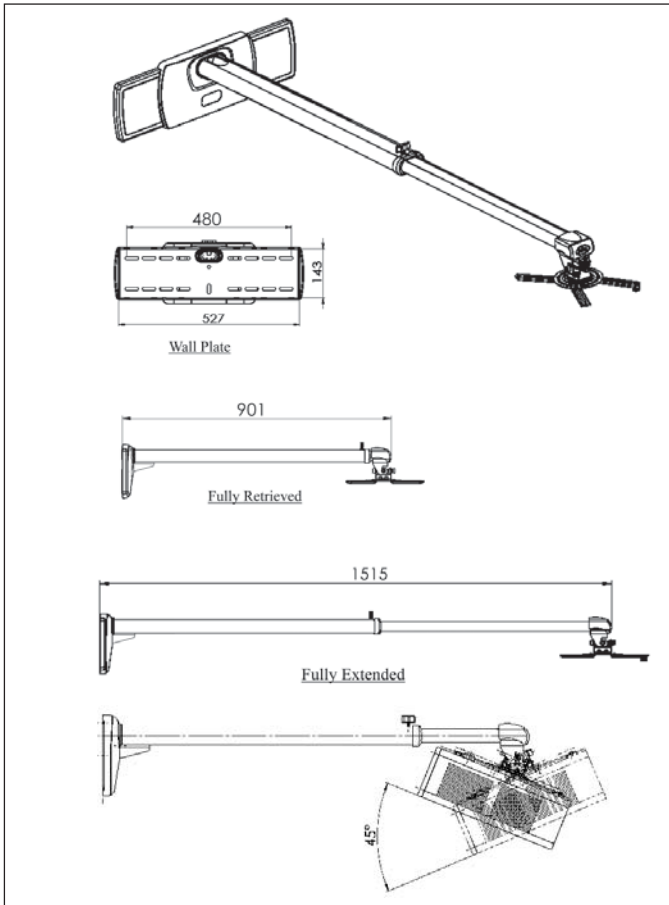
## SHORT THROW PROJECTOR WALL MOUNT



### DESCRIPTION

AV891WS-1500-V1 is a stylish wall arm with 1.5 meter long for mounting of short-throw projector on wall. It includes a universal head mount for fix most popular brands of projector. It is able to adjust the projection distance by sliding along the arm and lock the position with a hand knob.

- Fast and easy installation
- For Short-throw Projector
- Quick release universal mount for Projector
- +/- 22.5 degrees Tilt and Roll for Projector
- Telescoping arm provide adjustment from Min.901mm to Max.1515mm from wall
- Cable management
- Steel construction
- Included with mounting kit (hardware)



### TECHNICAL SPECIFICATION

<b>GROSS WEIGHT:</b>	8.8kg (19.4 lbs)
<b>GROSS DIMENSION:</b>	(920 x 570 x 205)mm
<b>DISTANCE FROM PROJECTOR WALL:</b>	Min. 901mm   Max.1515mm
<b>WALL STUD DISTANCE:</b>	18"
<b>LOAD CAPACITY:</b>	10kg (22 lbs)
<b>COLOR OPTION:</b>	White grey

\* Specifications are subject to change without notice.

**ABTUS**

# AV820

## PROJECTOR CAGE

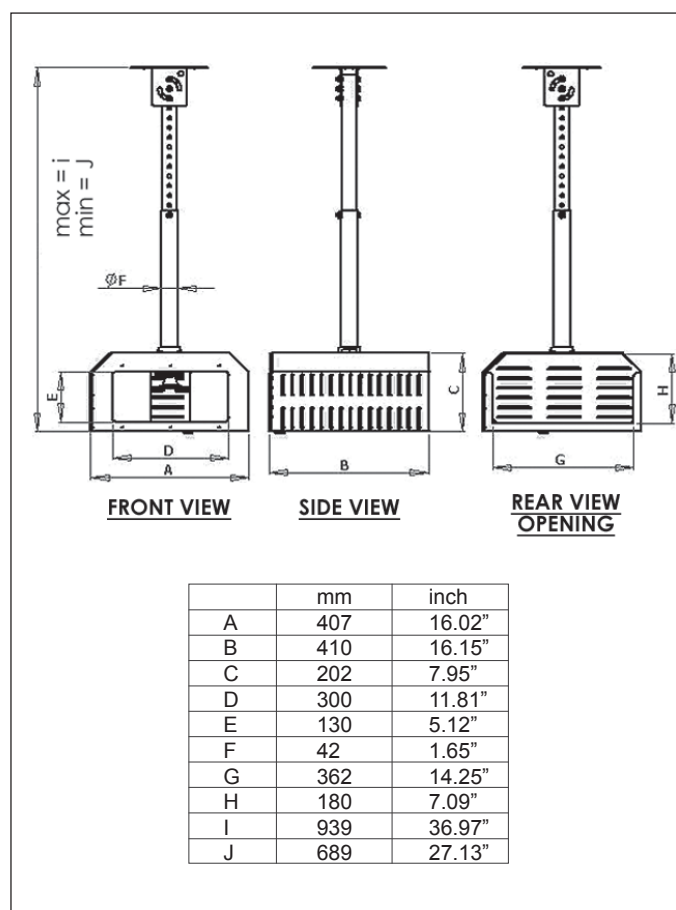


### DESCRIPTION

AV820 fully encloses the projector in a locked steel cage to prevent theft, as well as recreational damage. It is a security solution for schools, open areas, halls, saving unnecessary costs and hassles caused by projector theft.

### FEATURES

- Fast and easy installation
- Adaptable to AV815 Projector ceiling mount (Optional)
- All steel construction
- Universal size to suit most of projectors
- Left/center/right Lens
- Holes patterns provide proper ventilation



### TECHNICAL SPECIFICATION

GROSS DIMENSION:	430 × 430 × 235 (mm)
GROSS WEIGHT:	7 kg (15.4 lbs)
PROJECTOR SIZE:	Up to (W × D × H) 300 × 250 × 100mm
DIMENSION (W x D x H):	407 mm × 410 mm × 202 mm
DISTANCE FROM WALL:	510 mm (20")
LOAD CAPACITY:	7 kg (15.4 lbs)
COLOR OPTION:	Black

\* Specifications are subject to change without notice.

## AV820-F200 PROJECTOR CAGE



### DESCRIPTION

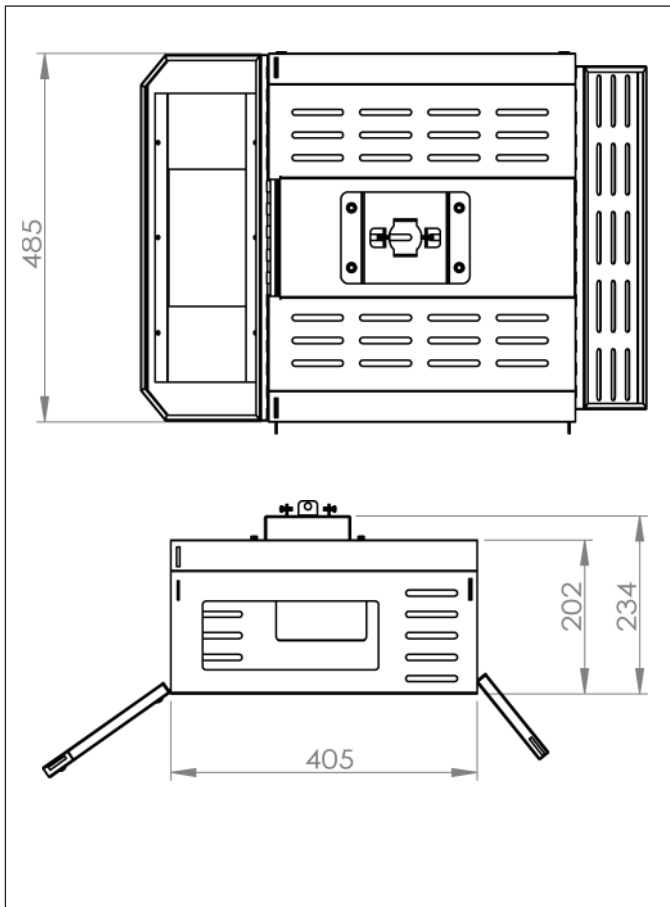
AV820-F200 is designed for installation with, or retrofitted to ABtUS projector mounts. With its all steel construction design, it fully encloses projectors in a locked steel cage to prevent theft and recreational damage at schools and gymnasiums areas.

### FEATURES

- fast and easy installation
- all steel construction
- adaptable to AV815 Projector Ceiling Mount (Projector Mount not included)
- lockable with 2 Lock Bars and padlocks (padlocks are not included)
- adjustable panels at front to accommodate different lens positions
- hinged doors at front and back for accessible to cables connection and projector lens
- accommodates pitch, roll and yaw adjustments at projector without disturbing cage
- install and remove cage without dismounting the projector
- hole pattern provides proper projector ventilation

### TECHNICAL SPECIFICATION

PROJECTOR SIZE:	width: < 420mm depth: < 390mm height: <120mm
GROSS DIMENSION:	510 × 435 × 230 (mm)
GROSS WEIGHT:	8.5 kg (18.7 lbs)
DIMENSION (W x D x H):	485 × 405 × 202 mm
LOAD CAPACITY:	Max 15 kg
COLOR OPTION:	Black, Silver or White



\* Specifications are subject to change without notice.

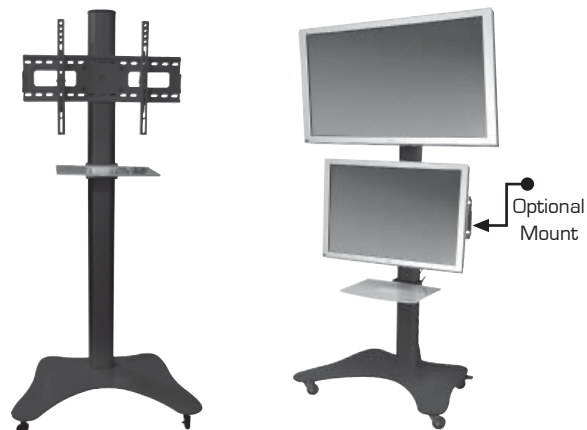
**ABtUS**

# AV383W6 & AV383W6-V1

## PLASMA/LCD DISPLAY MOBILE STAND



AV383W6 (Silver)



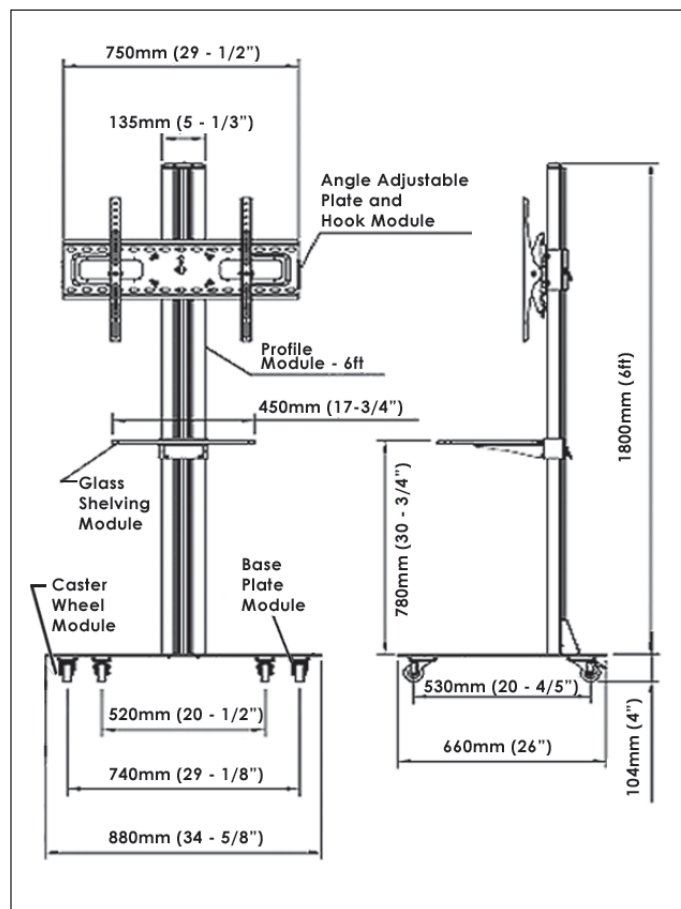
AV383W6-V1 (Black)

### DESCRIPTION

Why mount your stylish plasma display on the wall like everyone else does, when you can use our stand to show it off, to make it mobile and move it wherever you want to watch it? Our stand is easy to install and dismantle with flexible viewing angles and sturdy locking devices. It also allows you to display your other high-end video/audio equipment.

### FEATURES

- Fast and easy installation
- Sleek & Stylish Anodised Aluminium Design
- Universal to wide range of plasma display
- Tilttable hooks
- Castor wheels mounted for easy moving around
- Easy cable management
- Easy adjustable for viewing height
- Included with mounting kit (hardware)
- Locking system for security
- One adjustable shelf for video/audio player & accessories



### TECHNICAL SPECIFICATION

PLASMA SIZE:	Suitable for 37" -50"
BASE DIMENSION (W x D x H) :	880 × 660 × 108 mm / 35.85" × 25.98" × 4.25"
POST HEIGHT:	1800 mm(6ft)
MAX. SCREEN HEIGHT:	1670 mm(66")
LOAD CAPACITY:	45 kg (100 lbs)
NET WEIGHT (Approx.):	60 kg (132 lbs)
GROSS WEIGHT (Approx.):	65 kg (143 lbs)
ANGLE ADJUSTMENT:	20° max
COLOR OPTION:	Grey and Black

\* Specifications are subject to change without notice.

## AV383-D

### DUAL DISPLAY MOBILE STAND



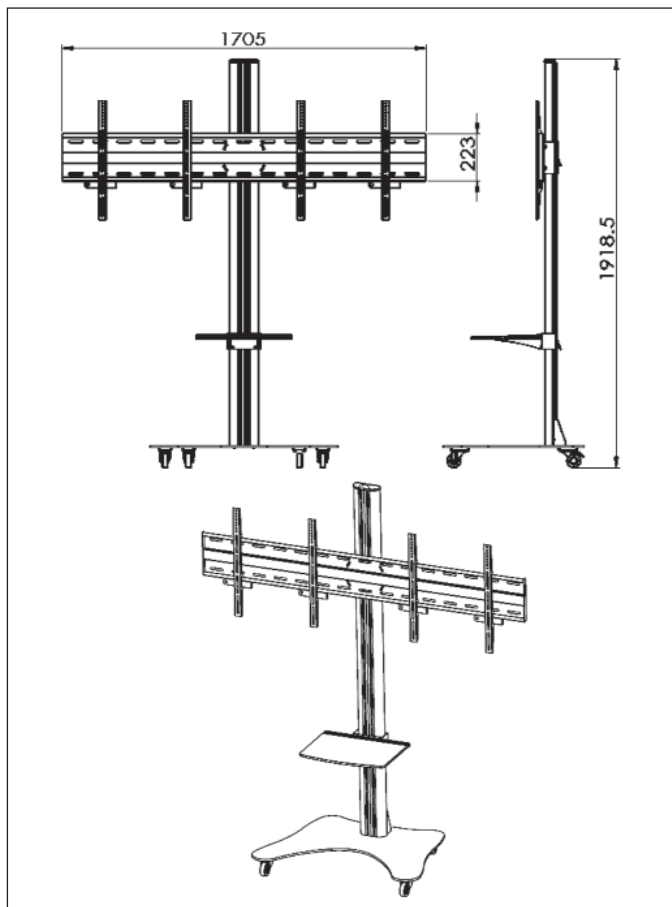
#### DESCRIPTION

##### Now You Can Move It Where You Want & When You Want

Why mount your stylish plasma display on the wall like everyone else does, when you can use our stand to show it off, to make it mobile and move it wherever you want to watch it? Our stand is easy to install and dismantle with flexible viewing angles and sturdy locking devices. It also allow you to display your other high-end video/audio equipment.

#### FEATURES

- Quick and easy installation
- Shelving for Audio/DVD player
- Castor wheels mounted for easy moving around
- Cable management
- Adjustable for viewing height
- Included with mounting kit (hardware)



#### TECHNICAL SPECIFICATION

PLASMA SIZE:	Suitable for 40" -46"
BASE DIMENSION (W x D x H) :	880 × 660 × 108 mm / 35.85" × 25.98" × 4.25"
POST HEIGHT:	1918.5 mm (6.3ft)
MAX. SCREEN HEIGHT:	1670 mm(66")
LOAD CAPACITY:	80 kg (176 lbs)
NET WEIGHT (Approx.):	65 kg (143 lbs)
GROSS WEIGHT (Approx.):	70 kg (154 lbs)
COLOR OPTION:	Grey and Black

\* Specifications are subject to change without notice.

**ABTUS**

# AV383/2P

## ADJUSTABLE MOBILE STAND



### DESCRIPTION

The new AV383-2P is an economical mobile stand that is extremely easy to setup and tear down. It's simple installation allows practically anyone to setup the stand within minutes without the need of any tools. The stand is compact, easy to move around and offers the flexibility in height adjustment. It also comes with a shelf for video equipment or camera.

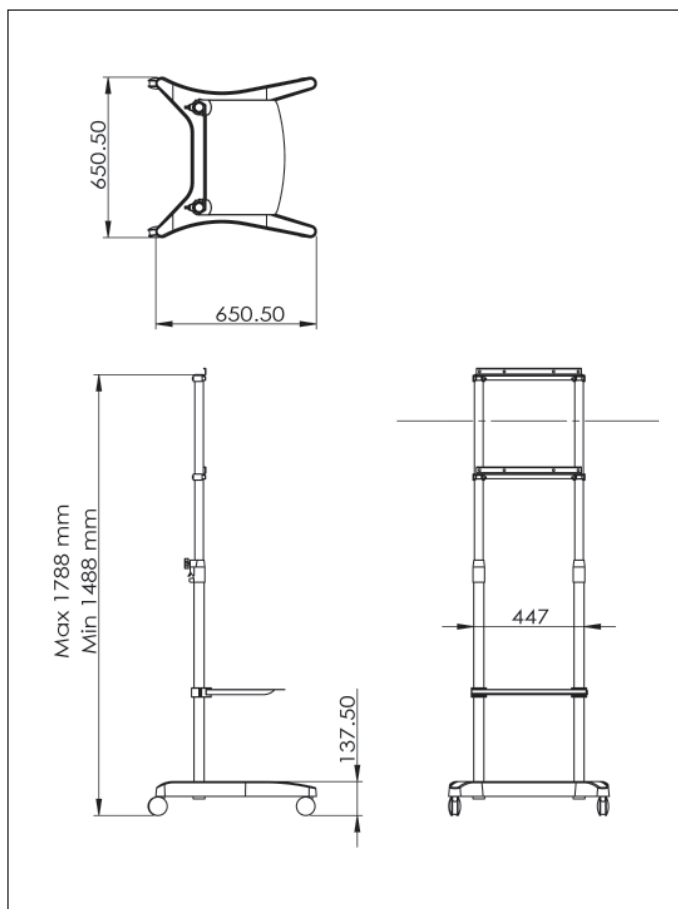
This mobile stand is perfect for short events or emergency setups in classrooms or meeting rooms.

### FEATURES

- Fast and easy install and uninstall
- For LED TV at size 37" - 50" with VESA 100 × 100, 200 × 200, 300 × 300 or 400 × 400 mounting standard
- Shelving for Audio / DVD player etc
- Castor wheels with lock mounted for easy mobility
- Quick mount and dismount for Poles
- Easy adjustment of viewing height with Spring-plunger mechanism
- Included with mounting kit (hardware)

### TECHNICAL SPECIFICATION

PLASMA SIZE:	Suitable for LED TV 37" - 50" (100 × 100, 200 × 200, 300 × 300 or 400 × 400 mounting standard)
BASE DIMENSION (W x D x H) :	650 × 650 × 138 mm (25.6" × 25.6" × 5.4")
POST HEIGHT:	1800 mm(6ft)
LOAD CAPACITY:	25 kg (55 lbs)
GROSS WEIGHT (Approx.):	25 kg (55 lbs)
COLOR OPTION:	Black
GROSS DIMENSION:	Base Plate : 650 × 660 x 125 mm Pole : 1060 × 125 × 95 mm
GROSS WEIGHT:	Base Plate : 10.5 kg (23.1 lbs) Pole: 3.6 kg (7.9 lbs)



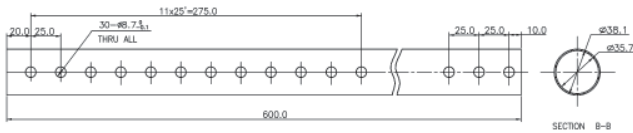
\* Specifications are subject to change without notice.

# ACCESSORIES

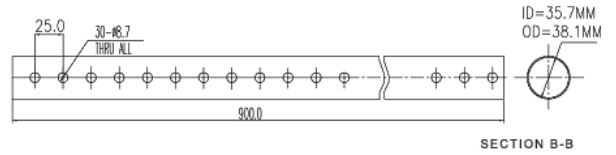
## EXTENSION RODS/VESA PLATE/GLASS SHELF

### AV815: Extension Rod

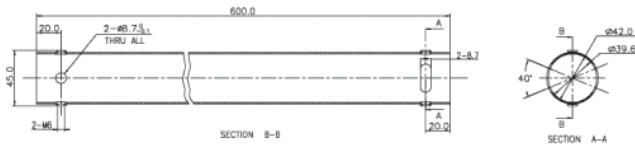
- a) AV815-11
- Black / silver color
  - 600mm x Ø35mm



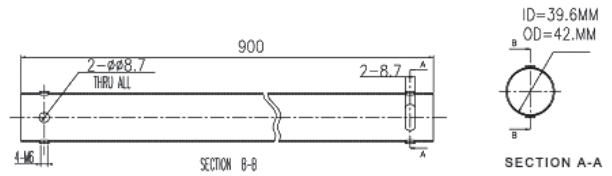
- c) AV815-17B
- Black / silver color
  - 900mm x Ø35mm



- b) AV815-12
- Black / silver color
  - 600mm x Ø40mm

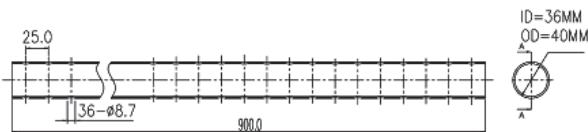


- d) AV815-18
- Black / silver color
  - 900mm x Ø40mm



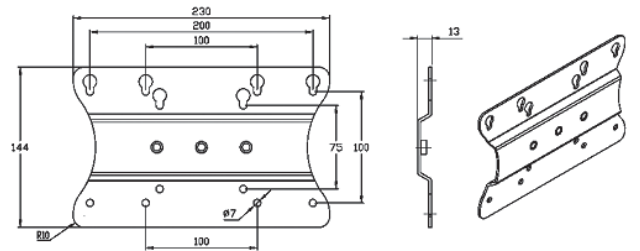
### AV420: Extension Rod

- a) AV420-07
- Black color
  - 900mm x Ø40mm

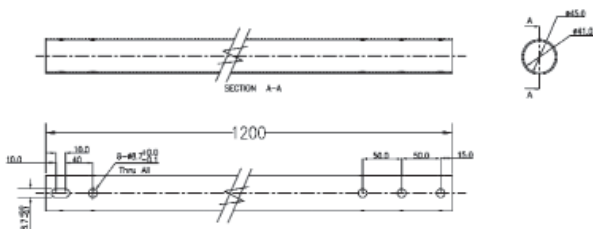


### AV508: Mounting Plate

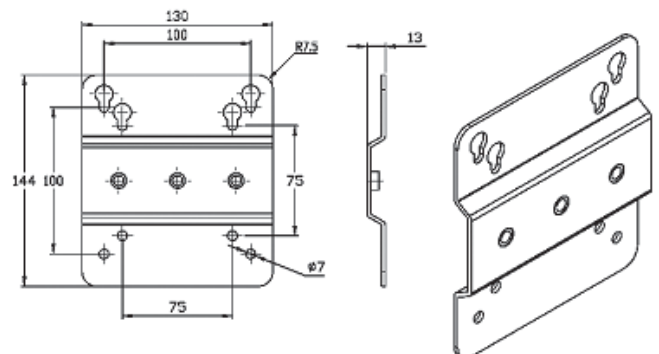
- a) AV508S-02
- Black color
  - Fit for AV508-WP1, AV508-S



- a) AV420-11
- Black color
  - 1200mm x Ø45mm



- b) AV508S-03
- Black color
  - Fit for AV508-WP1, AV508-S



\* Specifications are subject to change without notice.

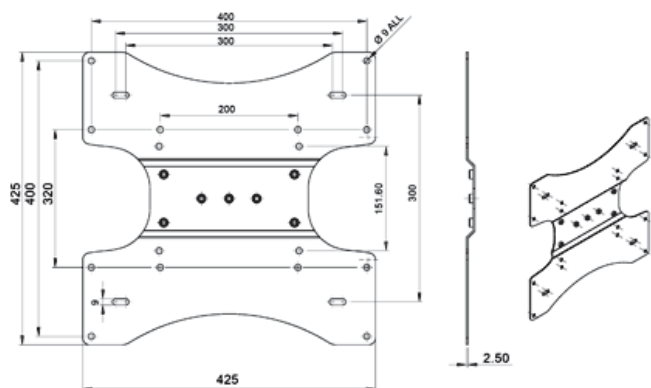


# ACCESSORIES

## EXTENSION RODS/VESA PLATE/GLASS SHELF

### c) AV508S-20

- Black color
- Fit for AV508-WP1, AV508-S

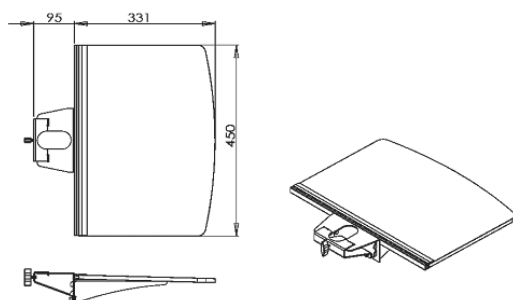


### AV382:

#### Glass Shelf

##### a) AV382-GLS

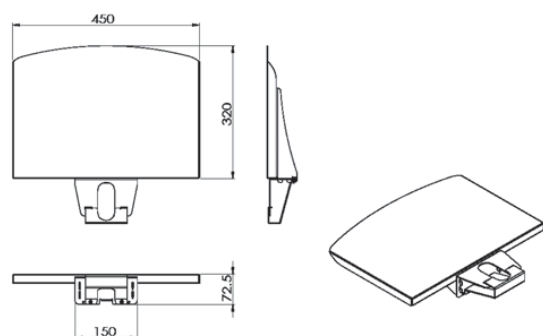
- Black color



#### Metal Shelf

##### b) AV382-GLS-M

- Black color

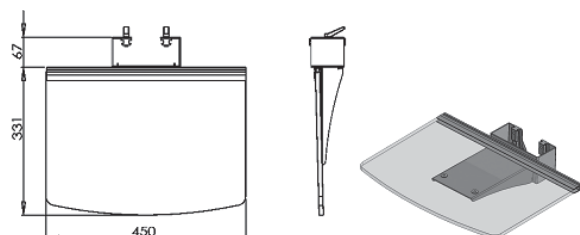


### AV383:

#### Glass Shelf

##### a) AV383-GLS

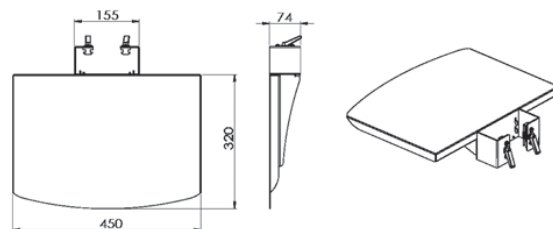
- Grey color



#### Metal Shelf

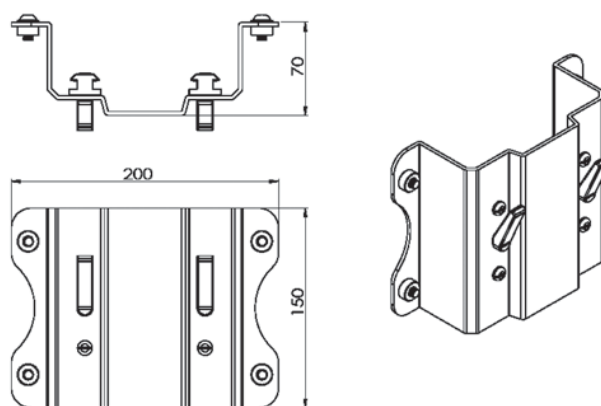
##### b) AV383-GLS-M

- Grey or black color



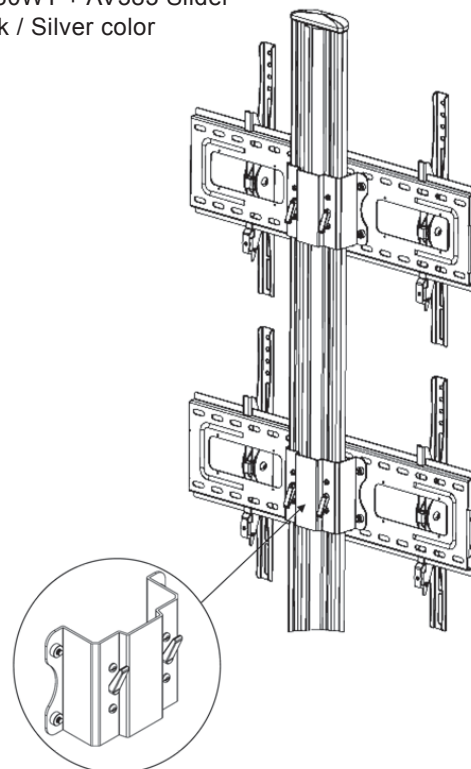
### c) AV383-SLIDER

- Grey or black color



#### \* Optional Mounting Plate for AV383

- AV480WT + AV383 Slider
- Black / Silver color



\* Specifications are subject to change without notice.

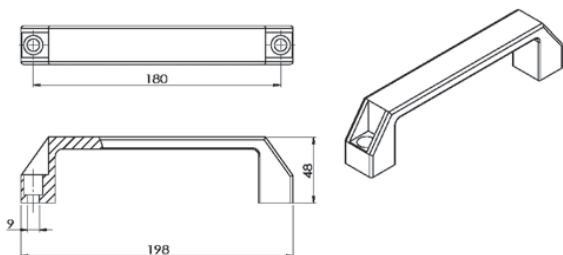
**ABTUS**

# ACCESSORIES

## EXTENSION RODS/VESA PLATE/GLASS SHELF

### d) AV383-HANDLE

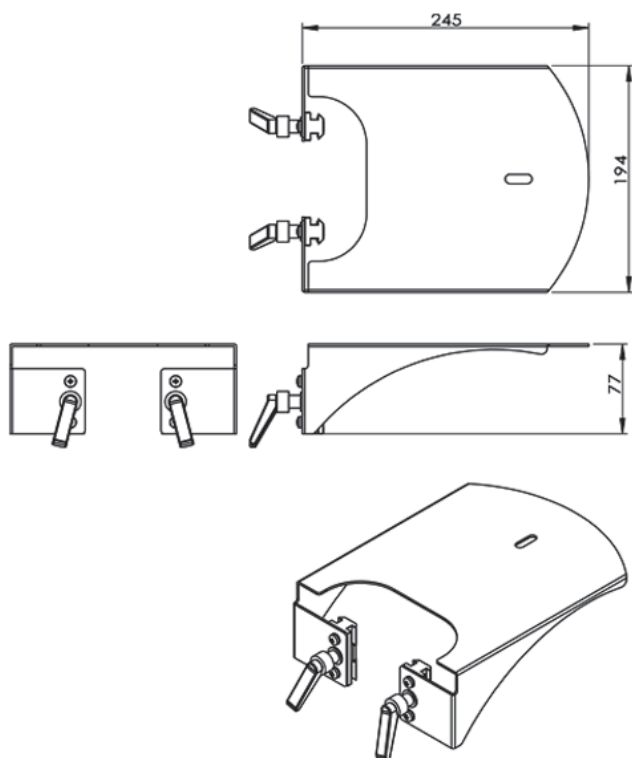
- Black color



### Webcam Bracket

#### e) AV383-CAMERA-L

- Grey or black color

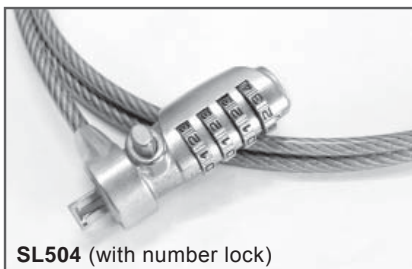


\* Specifications are subject to change without notice.

**ABTUS**

# ACCESSORIES

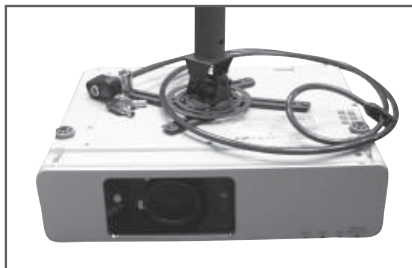
## PROJECTOR SECURITY LOCK AND FASTENER



SL504 (with number lock)



SL509 (w/o number lock)



JT2201  
Length: 2m/3m/4m/5m

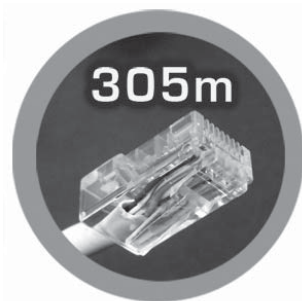


\* Note: Fastener for JT2201 is sold separately and it is used together with JT2201 for locking the projector

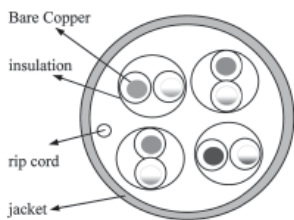
## CAT-5 CABLES

### ARE MADE OF PVC CARE COPPER

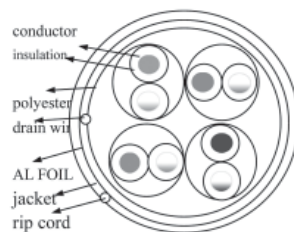
Resources and solutions for structured wiring, smart home, home automation, home wiring panels, systems, DIY networking kits, and Residential Wiring Cables ...



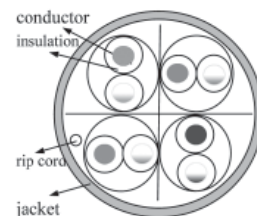
305m



**CAT-5e-UTP**  
Cable 24 AWG x 4P  
OD : 0.535+/-0.015mm



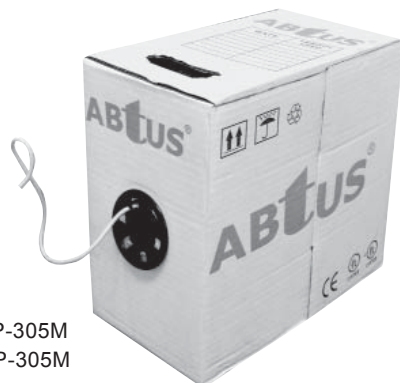
**CAT-5e-FTP**  
Cable 24 AWG x 4P  
OD : 0.535+/-0.015



**CAT-6-UTP**  
Cable 23 AWG x 4P  
OD : 0.555+/-0.015

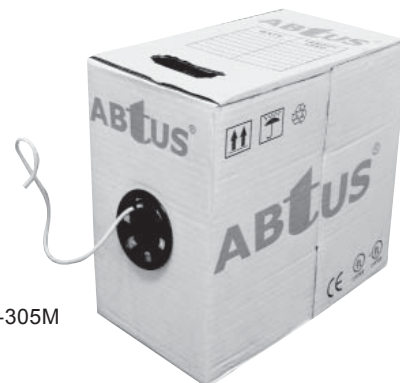
•Flame Test - Burning five times, every time is less than 60 per cent and paper flag can't be burned.

### CAT 5E Cable (305m)



ABTUS-CAT5E-FTP-305M  
ABTUS-CAT5E-UTP-305M

### CAT 6 Cable(305m)



ABTUS-CAT6-UTP-305M

\* Specifications are subject to change without notice.

# ACCESORIES

## RCA CABLES

### 1RCA Cable to 2.54mm Connector



AV-RCA3.0-2P-WF-1M  
 AV-RCA3.0-2P-WF-5M  
 AV-RCA3.0-2P-WF-10M  
 AV-RCA3.0-2P-WF-15M

### 3RCA Cable Male to Male



AV-3RCA 3M  
 AV-3RCA 6M  
 AV-3RCA 15M

AV-3RCA 20M  
 AV-3RCA 28M  
 AV-3RCA 30M

### 1RCA Cable to open end



0CWEO-2.7-WM 0-15M

### Composite 3RCA Cable Male to 2.54mm Connector



AV-3RCA3.0-4P-CVWF-15M

### 2RCA Cable to 2.54mm Connector



AV-2RCA 5M  
 AV-2RCA 10M  
 AV-2RCA 15M

### PC Audio Cable to 2.54mm Connector



AV-R3.5MFC-5M  
 AV-R3.5MFC-10M  
 AV-R3.5MFC-15M

\* Specifications are subject to change without notice.

# ACCESORIES

## VGA CABLES

### 15pin VGA Cable w/o Audio Male to 2.54mm Connector



AV-RGB6.5MM-WF-1M  
AV-RGB6.5MM-WF-5M  
AV-RGB6.5MM-WF-10M

AV-RGB6.5MM-WF-15M  
AV-RGB6.5MM-WF-28M

### 15pin VGA Cable w/o Audio Female to 2.54mm Connector (monitor cable)



AV-RGB6.5MM-WM-1.5M

### 15pin VGA Cable w/o Audio Male to Female



AV-RGB6.5MF-15M

### 15pin VGA Cable c/w Audio Male to 2.54mm Connector



AV-RGB6.5MR3.5MWF-15M

### 15pin VGA Cable w/o Audio Male to Male



2RGB5.0MM-2M  
2RGB6.5MM-10M  
AV-RGB6.5MM-5M  
AV-RGB6.5MM-10M

AV-RGB6.5MM-15m  
AV-RGB6.5MM- 20M  
AV-VGA9.0-50M

### 15pin VGA Cable c/w Audio Male to Male



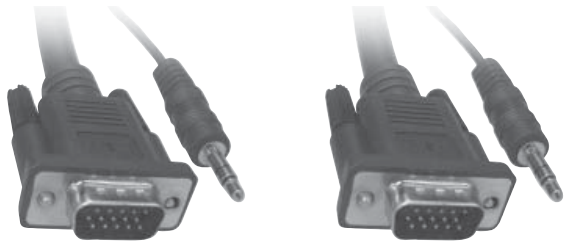
2RGB6.5MM2R3.5MM1.8M  
2RGB6.5MM-2R3.5MM-3M  
2RGB6.5MM-2R3.5MM-5M  
2RGB6.5MM-2R3.5MM-10M

2RGB6.5MM-2R3.5MM-15M  
2RGB6.5MM-2R3.5MM-20M  
2RGB6.5MM-2R3.5MM-30M  
2RGB6.5-2R3.5-30M-26G

# ACCESORIES

## VGA CABLES

### Full 15pin VGA Cable c/w Audio Male to Male



CHD-VGA/A-1.8M  
CHD-VGA/A-3M  
CHD-VGA/A-5M

### Full 15pin Micro VGA Cable c/w Audio Male to Male



CHD-MC/A-1.5M  
CHD-MC/A-3M  
CHD-MC/A-5M

### 15pin VGA Cable w/o Audio D-sub to open end



0CRGB-6.5-WM 0-15M

### VGA 3C+4 Open End 100m



AV-UL2919 3+4 VGA-100M

### DVI-D Single Link Cable



CDVD181M/181M28G-5M  
CDVD181M/181M24G-10M

### Fiber Optic Cable



POF-ST50/125ST-200M  
POF-ST50/125ST-300M

\* Specifications are subject to change without notice.

# ACCESSORIES

## HDMI CABLES (V1.4) WITH ETHERNET



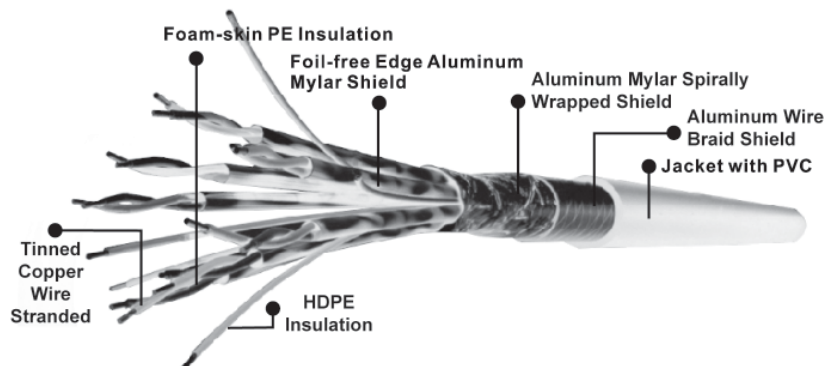
### DESCRIPTION

#### HDMI Super High Speed Cable for Ethernet & 3D (2M)

The HDMI standard just got a lot more powerful, with new capabilities designed to push the boundaries of the HD experience – '96 both in the home and on the go.

### FEATURES

- HDMI 19 pin-M to HDMI 19pin-M Cable
- Oxygen Free Cooper Conductor
- HDMI v1.4 Certified
- 100% triple shield
- 24k gold plated
- Suitable for Blu-ray, SETBOX, PS3.LCD/Plasma/DVB-T



- High End zinc alloy cable, dark metallic moulding
- Full HD 1080p, 3D support
- Aluminium braid, Nylon jacket
- 100% triple shield

### HDMI Male to Male Cable



#### PVC Cables

AV-HDMI AWG24G-20M1.4V  
CHDAG30F/F-0.15M (Female to Female)  
CHDAG30M/F-0.15M (Male to Female)

#### (v1.4) with Ethernet

CHDAG28G-1.4M/M-10M  
CHDAG28G-1.4M/M-15M  
CHDAG28G-1.4M/M-2M  
CHDAG28G-1.4M/M-3M  
CHDAG28-1.4M/M-5R  
CHDAG26-1.4M/M-5R  
CHD-AG28-MM-1R  
CHD-AG28-MM-1.8R  
CHD-AG26MM-15R  
CHD-AG26G-MM-10R

### HDMI Male to Male Cable



#### HDMI Flat Cables (v1.4) with Ethernet

CHD-AG28-MM-2F  
CHD-AG28-MM-3F  
CHD-AG28-MM-5F  
CHD-AG28-MM-10F  
CHD-AG24-MM-15F  
CHD-AG24-MM-20F

\* Specifications are subject to change without notice.

## ACCESORIES

### CABLES WITH 2.54MM CONNECTORS (FOR ABTUS AVS AND IFP SERIES)

#### Composite 3RCA Cable Male to 2.54mm Connector



AV-3RCA3.0-4P-CVWF-15M

#### RS-232 TX Cable to 2.54mm Connector



HITA-2005-TX-3P-1M  
HITA-2005-TX-3P-5M  
HITA-2005-TX-3P-10M  
HITA-2005-TX-3P-15M

CCT-6M/TBM

#### VGA Cable w/o Audio Female to 2.54mm Connector (monitor cable)



AV-RGB6.5MM-WM-1.5M

#### PC Audio Cable to 2.54mm Connector



AV-R3.5MFC-5M  
AV-R3.5MFC-10M  
AV-R3.5MFC-15M

#### 1RCA Cable to 2.54mm Connector



AV-RCA3.0-2P-WF-1M  
AV-RCA3.0-2P-WF-5M  
AV-RCA3.0-2P-WF-10M  
AV-RCA3.0-2P-WF-15M

#### VGA Cable w/o Audio Male to 2.54mm Connector



AV-RGB6.5MM-WF-1M  
AV-RGB6.5MM-WF-5M  
AV-RGB6.5MM-WF-10M

AV-RGB6.5MM-WF-15M  
AV-RGB6.5MM-WF-28M

\* Specifications are subject to change without notice.

**ABTUS**



# ACCESORIES

CABLES WITH 2.54MM CONNECTORS (FOR ABTUS AVS AND IFP SERIES)

## USB Type A Cable



USB-A-MALE2.54-5M  
USBA-F TO 2.54-25CM

## USB Type B Cable



USB-B-MALE2.54-3M  
USB-B-MALE2.54-5M

## Audio cable



S100\*AG28-35M-2RCA-M/10M

## Power Cable



QP-007+03/3M (Power Cable)  
QP-007+03/15M(Power Cable)

\* Specifications are subject to change without notice.

## ACCESORIES

### CABLES FOR AVS SERIES PROJECTOR CONTROLLER SWITCHER

#### CABLES LIST FOR AVS-120A



#### CABLES LIST FOR AVS-120A

1. VGA cable D-Sub 15pin to 2.54mm connector 10M (AV-RGB6.5MM-WF-10M)
2. Stereo audio cable 3.5mm to 2.54mm connector 10M (AV-R3.5MFC)
3. Stereo audio cable 2RCA to 2.54mm connector 10M (AV-2RCA)
4. Video cable RCA to 2.54mm connector 10M (AV-RCA3.0-2P-WF)
5. RS-232 TX cable D-sub 9 pin to 2.54mm connector (HITA-2005-TX-3P)
6. Monitor Cable 1.5M (AV-RGB6.5MM-WF-1.5M)

#### CABLES LIST FOR IC-308V6



#### CABLES LIST FOR IC-308V6

1. VGA cable D-Sub 15pin to 2.54mm connector 10M (AV-RGB6.5MM-WF-10M)
2. Stereo audio cable 3.5mm to 2.54mm connector 10M (AV-R3.5MFC)
3. Stereo audio cable 2RCA to 2.54mm connector (AV-2RCA)
4. Video cable RCA to 2.54mm connector 10M (AV-RCA3.0-2P-WF)
5. RS-232 TX cable D-sub 9 pin to 2.54mm connector 10M (HITA-2005-TX-3P)
6. Monitor Cable 1.5M (AV-RGB6.5MM-WF-1.5M)

#### CABLES LIST FOR AVS-308V6P



#### CABLES LIST FOR AVS-308V6P

1. VGA cable D-Sub 15pin to 2.54mm connector 10M (AV-RGB6.5MM-WF-15M)
2. Stereo audio cable 3.5mm to 2.54mm connector 10M (AV-R3.5MFC)
3. Stereo audio cable 2RCA to 2.54mm connector 10M (AV-2RCA)
4. Video cable RCA to 2.54mm connector 10M (AV-RCA3.0-2P-WF)
5. RS-232 TX cable D-sub 9 pin to 2.54mm connector 10M (HITA-2005-TX-3P)
6. Monitor Cable 1.5M (AV-RGB6.5MM-WF-1.5M)

\* Specifications are subject to change without notice.

## ACCESORIES

### CABLES FOR AVS SERIES PROJECTOR CONTROLLER SWITCHER

#### CABLES LIST FOR AVS-311



##### CABLES LIST FOR AVS-311

1. VGA cable D-Sub 15pin to 2.54mm connector 10M (AV-RGB6.5MM-WF-10M)
2. Stereo audio cable 3.5mm to 2.54mm connector 10M (AV-R3.5MFC)
3. USB Cable (USB-B-Male 2.54-3M)
4. Video cable RCA to 2.54mm connector 10M (AV-RCA3.0-2P-WF)
5. RS-232 TX cable D-sub 9 pin to 2.54mm connector 10M (HITA-2005-TX-3P)
6. Stereo audio cable 2RCA to 2.54mm connector (AV-2RCA)

#### CABLES LIST FOR AVS-312



##### CABLES LIST FOR AVS-312

1. VGA cable D-Sub 15pin to 2.54mm connector 10M (AV-RGB6.5MM-WF-10M)
2. Stereo audio cable 3.5mm to 2.54mm connector 10M (AV-R3.5MFC)
3. USB Cable (USB-A-Male 2.54-5M & USB-B-Male 2.54-3M)
4. Video cable RCA to 2.54mm connector 10M (AV-RCA3.0-2P-WF)
5. RS-232 TX cable D-sub 9 pin to 2.54mm connector 10M (HITA-2005-TX-3P)
6. Stereo audio cable 2RCA to 2.54mm connector 10M (AV-2RCA)

#### CABLES LIST FOR AVS-313



##### CABLES LIST FOR AVS-313

1. VGA cable D-Sub 15pin to 2.54mm connector 10M x 2pcs (AV-RGB6.5MM-WF-10M)
2. Stereo audio cable 3.5mm to 2.54mm connector 10M (AV-R3.5MFC)
3. Stereo audio cable 2RCA to 2.54mm connector 10M (AV-2RCA)
4. Video cable RCA to 2.54mm connector 10M x 2pcs (AV-RCA3.0-2P-WF)
5. RS-232 TX cable D-sub 9 pin to 2.54mm connector 10M x 2 pcs (HITA-2005-TX-3P)

#### CABLES LIST FOR AVS-315+

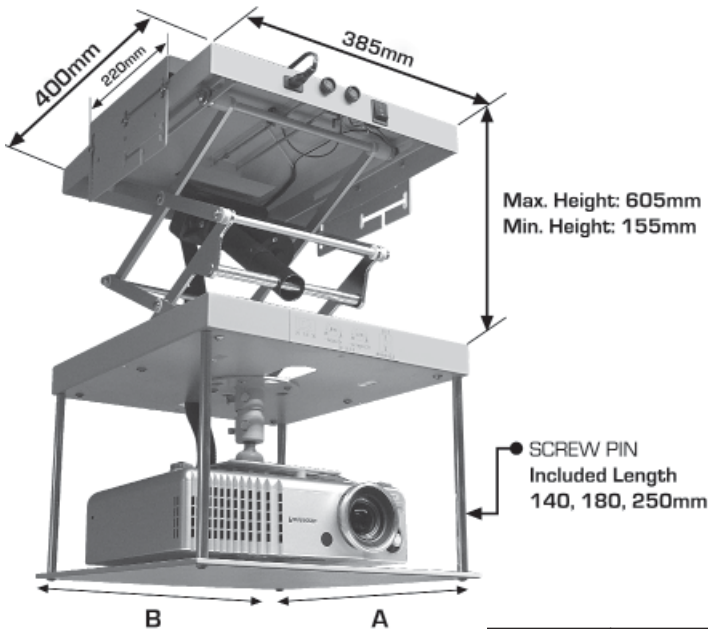


##### CABLES LIST FOR AVS-315+

1. VGA cable D-Sub 15pin to 2.54mm connector 10M (AV-RGB6.5MM-WF-10M)
2. USB Cable (USB-A-Male 2.54-5M & USB-B-Male 2.54-3M)
3. Video cable RCA to 2.54mm connector 10M (AV-RCA3.0-2P-WF)
4. RS-232 TX cable D-sub 9 pin to 2.54mm connector 10M (HITA-2005-TX-3P)
5. Stereo audio cable 2RCA to 2.54mm connector 10M (AV-2RCA)

\* Specifications are subject to change without notice.

## AV900-A PROJECTOR LIFT

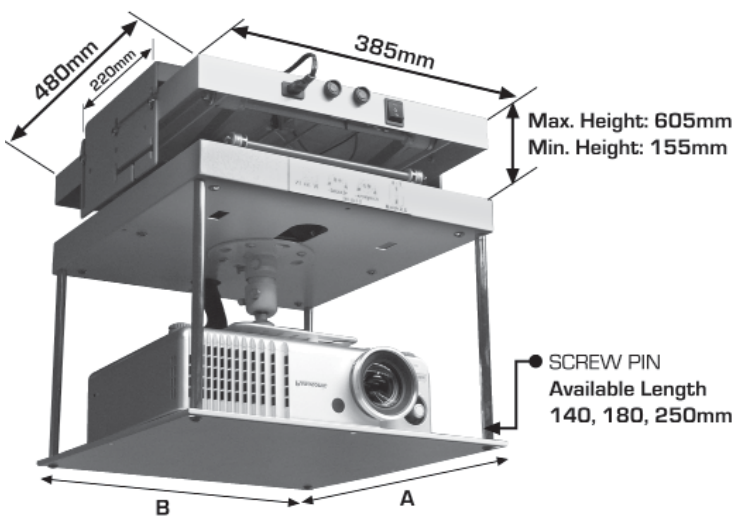


### TECHNICAL SPECIFICATIONS

- Rugged and durable design with all steel constructed
- Lifting load capacity up to 10kg
- Min compressed height (inside ceiling) is 295mm (with 140mm screw pin)
- Max extended height is 855mm (with 250mm screw pin)
- Conceal and integrated cable management for easy plug and play for projector, motorized screen, DVD player, computer
- Remote controller included
- Easy and quick dismantle for maintenance and servicing
- Easy adjustment for upper and lower limit for compressed and extended height

A X B (mm)	Minimum Height (mm)	Maximum Height (mm)	Load Capacity	Motor Speed	Projector Size Up to (W x D x H)(mm)
430 x 400	295	855	10 KG	12.5mm/sec	360 x 340 x 250

## AV900-B PROJECTOR LIFT



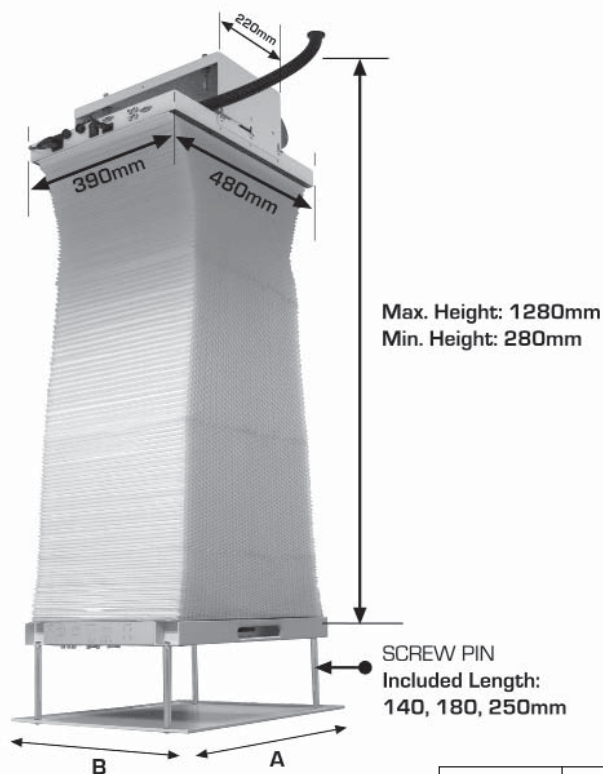
### TECHNICAL SPECIFICATION

- Rugged and durable design with all steel constructed
- Lifting load capacity up to 15kg
- Min compressed height (inside ceiling) is 295mm (with 140mm screw pin)
- Max extended height is 855mm (with 250mm screw pin)
- Conceal and integrated cable management for easy plug and play for projector, motorized screen, DVD player, computer
- Remote controller included
- Easy and quick dismantle for maintenance and servicing
- Easy adjustment for upper and lower limit for compressed and extended height

A X B (mm)	Minimum Height (mm)	Maximum Height (mm)	Load Capacity	Motor Speed	Projector Size Up to (W x D x H)(mm)
500 x 420	295	855	15 KG	12.5mm/sec	440 x 320 x 250

\* Specifications are subject to change without notice.

## AV900-C PROJECTOR LIFT

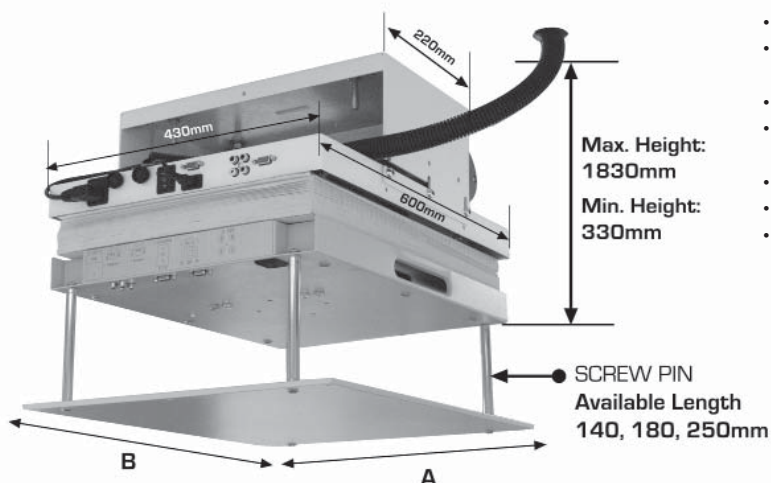


### TECHINICAL SPECIFICATIONS

- Rugged and durable design with all steel constructed
- Lifting load capacity up to 25kg
- Min compressed height (inside ceiling) is 420mm (with 140mm screw pin)
- Max extended height is 1530mm (with 250mm screw pin)
- Conceal and integrated cable management for easy plug and play for projector, motorized screen, DVD player, computer
- Remote controller included
- Easy and quick dismantle for maintenance and servicing
- Easy adjustment for upper and lower limit for compressed and extended height

A X B (mm)	Minimum Height (mm)	Maximum Height (mm)	Load Capacity	Motor Speed	Projector Size Up to (W x D x H)(mm)
500 x 420	420	1530	25 KG	20mm/sec	440 x 290 x 250

## AV900-D PROJECTOR LIFT



### TECHINICAL SPECIFICATION

- Rugged and durable design with all steel constructed
- Lifting load capacity up to 25kg
- Min compressed height (inside ceiling) is 470mm (with 140mm screw pin)
- Max extended height is 2080mm (with 250mm screw pin)
- Conceal and integrated cable management for easy plug and play for projector, motorized screen, DVD player, computer
- Remote controller included
- Easy and quick dismantle for maintenance and servicing
- Easy adjustment for upper and lower limit for compressed and extended height

A X B (mm)	Minimum Height (mm)	Maximum Height (mm)	Load Capacity	Motor Speed	Projector Size Up to (W x D x H)(mm)
620 x 430	470	2080	25 KG	20mm/sec	560 x 330 x 250

\* Specifications are subject to change without notice.

# AV901

## LCD MONITOR LIFT

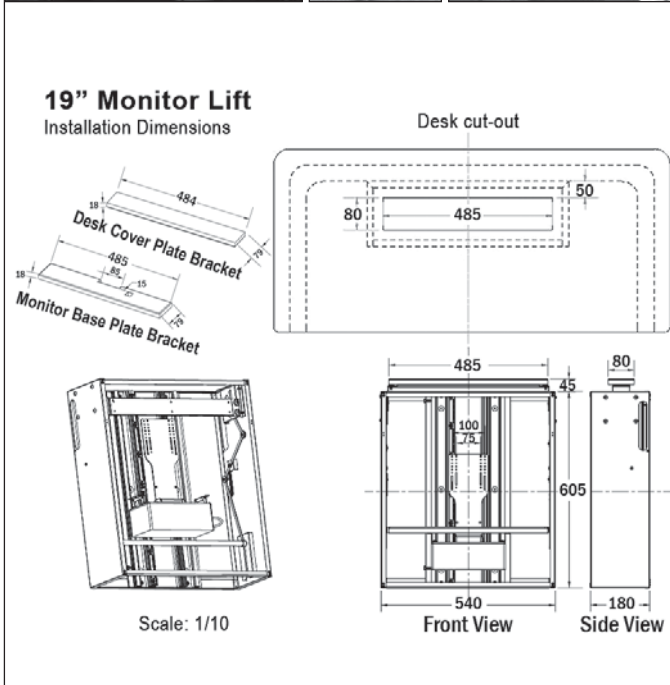


### DESCRIPTION

AV901 LCD Monitor Lift is created for customers with higher requirements of obscurity, silence, reliability & safety. Our opening mechanism is smooth and simple, allowing fully obscurity and lifting up of the monitor. It is ideal for most wide screen monitor of up to 20 inches.

### FEATURES

- Easy installation
- Conveniently pre-wired for fast hook-up
- Ergonomic 18 degree tilt angle for stress free viewing
- Lift & Tilt function is simply controlled by the four button switch panel, which is included in the package
- Compatible for VESA 75x75, 100x100 mounting holes standard
- Special polymer built gear rack and guide wheels for silent operation
- Solid extruded light weight aluminium rack for rigidity



### TECHNICAL SPECIFICATION

SUITABLE FOR:	17-20" LCD flat screen monitors
MAX MONITOR SIZE:	mm: 484(W) × 320(H) × 70(D) inches: 19" × 12"9/16 × 2"3/4
MONITOR MOUNTING:	75 × 75mm and 100 × 100mm Custom mounting brackets available
MONITOR BACK TILT:	0~+18
LIFT SPEED:	Open: 28 sec. Close: 28 sec. (max. travel)
SOUND LEVEL:	up : 42.2db avg., down 42.8db avg
LIFT CAPACITY:	20 kg (45 lbs)
VOLTAGE:	100-240V AC 50/60Hz
POWER CONSUMPTION:	19 watts
DIMENSIONS:	mm: 530(W) × 600(H) × 180(D) inches: 20"7/8 × 23"5/8 × 7"1/16
WEIGHT:	11 kg (24 lbs)
LIFT TRAVEL:	500mm max. infinitely adjustable
CONTROL:	5V DC analog. Four button control panel included
COLOR:	Black, other colors available upon request

\* Specifications are subject to change without notice.

**ABTUS**

# WHY ABtUS<sup>®</sup> ?



## Solutions:

### Educational

Classrooms, lecture theatres, libraries, laboratories, multi-purpose halls, training rooms, special rooms



### Corporate

Boardrooms, seminar rooms, work stations, discussion rooms, reception areas, large venues, events



### Residential / Hospitality

Home entertainment, hotel rooms, ballrooms, home automation



## What ABtUS stands for?

- 2 decades of product reliability and expertises
- Global presence
- Specialised in AV
- World's first innovative products
- Supportive partner
- Social responsibility

ABtUS focus primarily on research and developing innovative AV equipment that are cost effective and exceeds expectations for better user experience. We design and manufacturers AV electronics such as matrix switchers, distribution amplifiers, extenders, energy saving electronics, touch control panels and others including a wide range of mounting solutions.

Since our humble beginning over 2 decades ago in Singapore, ABtUS have now grown international with presence in over 50 countries all over the world. Our service-oriented staffs are always dedicated to uphold this high quality of service, taking pride in our work and always strive to provide the best for you!



CONTROL SYSTEM | HDMI & DVI-D | VGA DISTRIBUTION AMPLIFIER & SWITCHER | CAT-5 | MOUNTING

**ABtUS SINGAPORE PTE LTD**

Blk 2023 #02-102 Bukit Batok  
Industrial Park A Street 23, Singapore 659528  
Tel: (65) 6665 5402 Fax: (65) 6569 6241

E-mail: [info@abtussingapore.com](mailto:info@abtussingapore.com)

**ABtUS MALAYSIA SDN BHD**

17, Jalan Industri PBP9, Pusat Industri  
Pusat Bandar Puchong, 47100  
Selangor Darul Ehsan, Malaysia  
Tel: 603-5882 2908 Fax: 603-5882 4768

E-mail: [info@abtussingapore.com](mailto:info@abtussingapore.com)



[www.abtussingapore.com](http://www.abtussingapore.com)